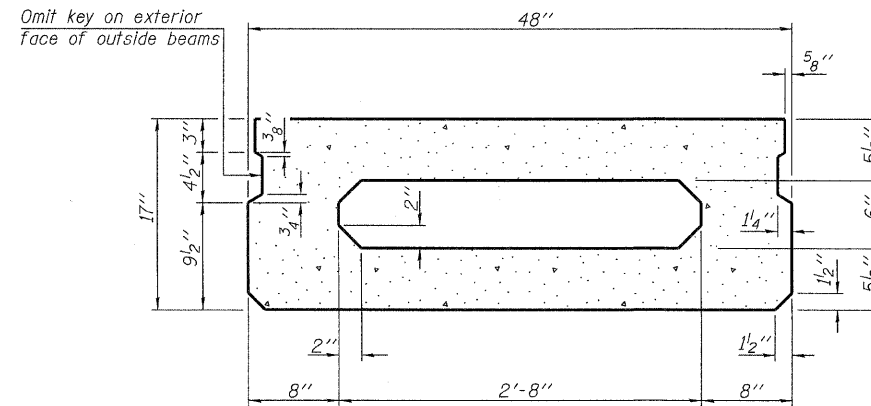
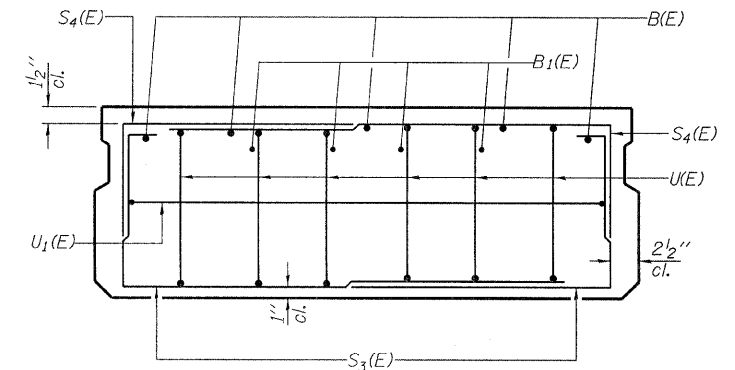


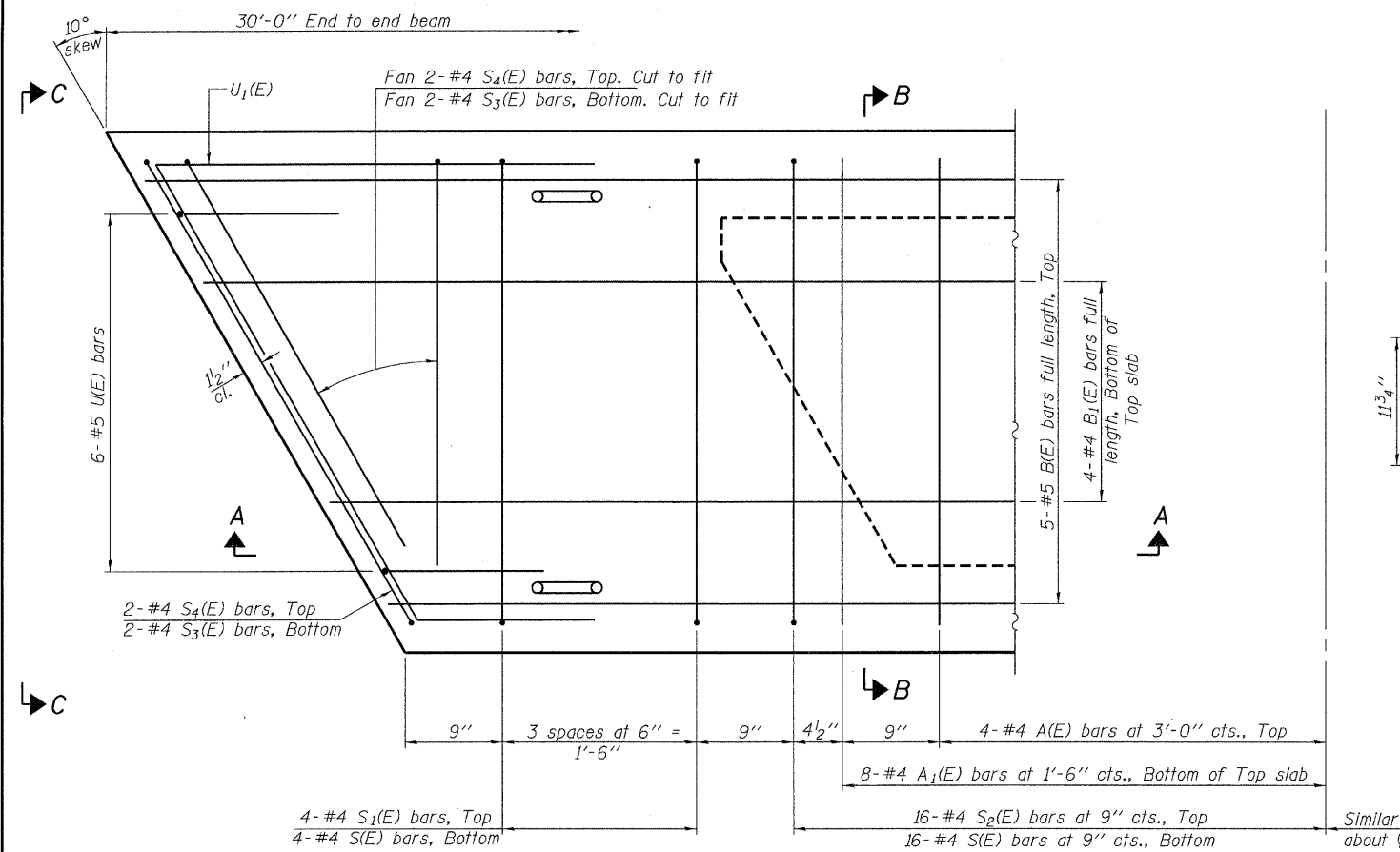
SECTION A-A



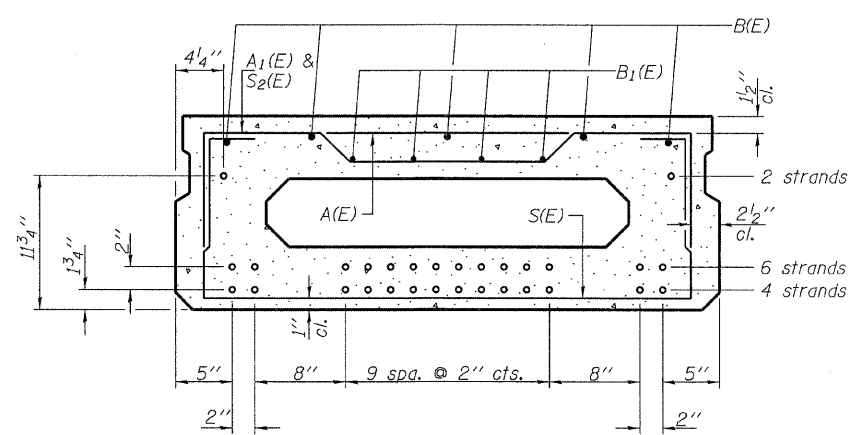
SECTION B-B
(Showing dimensions)



VIEW C-C



PLAN VIEW



SECTION B-B

(Showing reinforcement and permissible strand locations)
 Note: Place the number of strands specified in each row symmetrically about the centerline of beam in the permissible strand locations shown.

BAR LIST
ONE BEAM ONLY
 (For information only)

Bar	No.	Size	Length	Shape
A(E)	8	#4	3'-7"	—
A1(E)	16	#4	3'-10"	—
B(E)	5	#5	29'-8"	—
B1(E)	4	#4	29'-8"	—
S(E)	40	#4	6'-9"	⌊
S1(E)	8	#4	5'-3"	⌊
S2(E)	32	#4	5'-6"	⌊
S3(E)	8	#4	4'-4"	⌊
S4(E)	8	#4	3'-7"	⌊
U(E)	12	#5	3'-8"	⌊
U1(E)	2	#4	6'-8"	⌊

Note: See sheets 4 & 7 of 12 for additional details and Bill of Material.

MINIMUM BAR LAP

#4 bar = 2'-0"
 #5 bar = 2'-6"

Note: Spacing of S(E) and S2(E) bars may be adjusted up to 4" in the immediate area of the transverse tie diaphragms to miss the block outs for the transverse ties.

PD-1748-R 7-1-10

FILE NAME = 118266-sht-brIDGE.dgn	USER NAME =	DESIGNED - A.S.L.	REVISED -	STATE OF ILLINOIS JEFFERSON COUNTY HIGHWAY DEPARTMENT	17" x 48" PPC DECK BEAM - SPANS 1 & 3 STRUCTURE NO. 041-3748	T.R.	SECTION	COUNTY	TOTAL SHEETS	SHEET NO.	
HAMPTON, LENZINI AND RENWICK, INC. 3285 STEVENSON DRIVE, SUITE 201 SPRINGFIELD, ILLINOIS 62763	PLOT SCALE =	CHECKED - S.W.M.	REVISED -			91	09-06122-00-BR	JEFFERSON	37	28	
ILLINOIS PROFESSIONAL DESIGN FIRM LS / PE / SE CORP. 184.000989	PLOT DATE = 2/28/2012	DRAWN - D.A.B.	REVISED -			FARRINGTON ROAD DISTRICT	CONTRACT NO. 99471				
		CHECKED - S.W.M.	REVISED -			SHEET NO. 3 OF 12 SHEETS		ILLINOIS FED. AID PROJECT BROS-00810631			