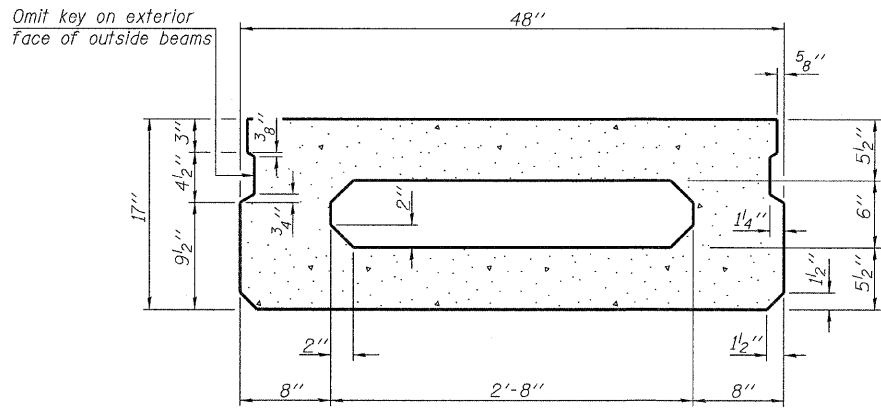
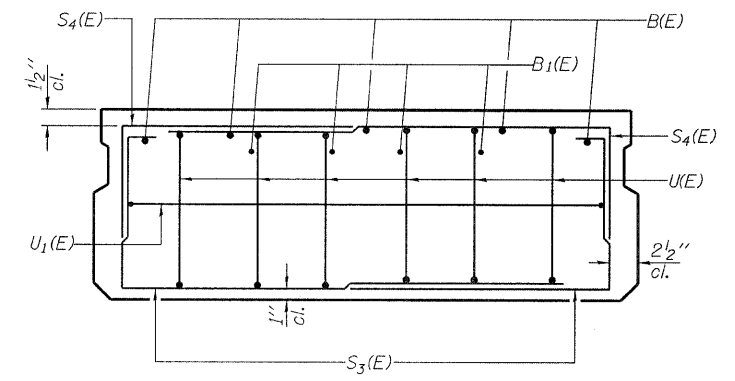


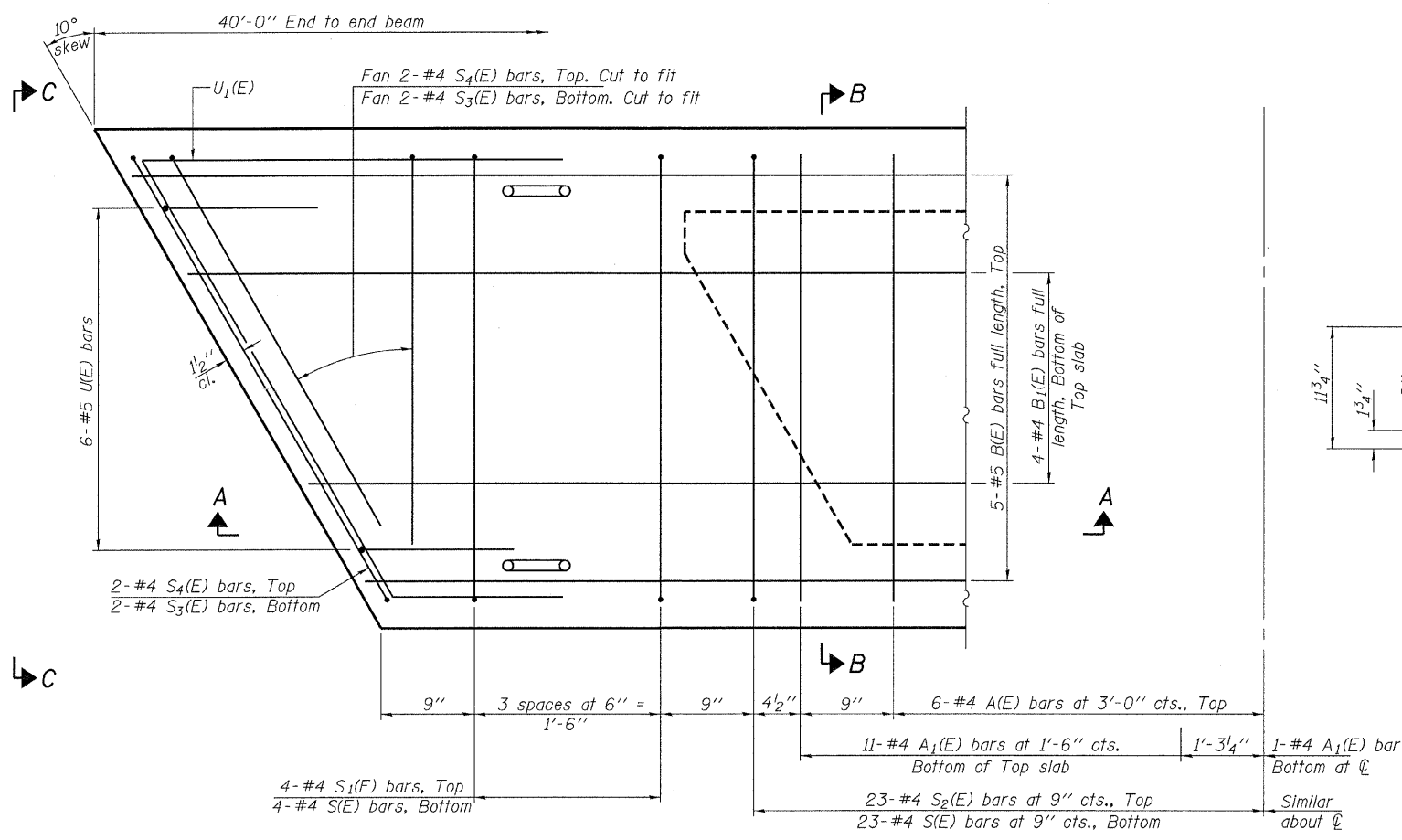
**SECTION A-A**



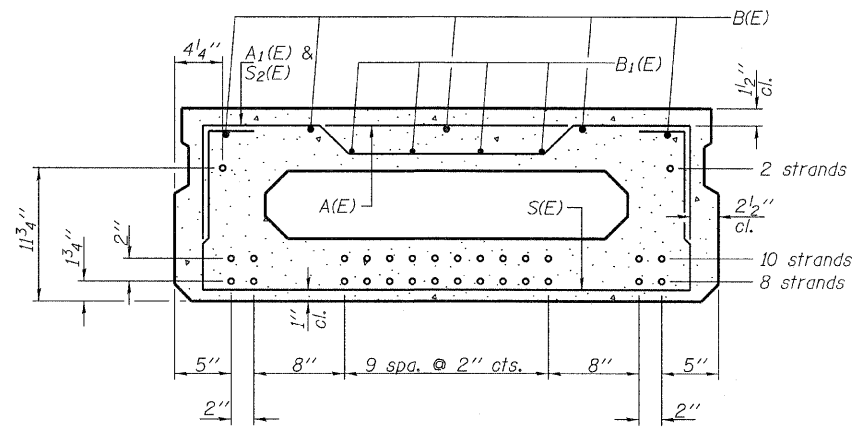
**SECTION B-B**  
(Showing dimensions)



**VIEW C-C**



**PLAN VIEW**



**SECTION B-B**

(Showing reinforcement and permissible strand locations)  
 Note: Place the number of strands specified in each row symmetrically about the centerline of beam in the permissible strand locations shown.

**BAR LIST**  
**ONE BEAM ONLY**  
(For information only)

Bar	No.	Size	Length	Shape
A(E)	12	#4	3'-7"	—
A1(E)	23	#4	3'-10"	—
B(E)	5	#5	39'-8"	—
B1(E)	4	#4	39'-8"	—
S(E)	54	#4	6'-9"	—
S1(E)	8	#4	5'-3"	—
S2(E)	46	#4	5'-6"	—
S3(E)	8	#4	4'-4"	—
S4(E)	8	#4	3'-7"	—
U(E)	12	#5	3'-8"	—
U1(E)	2	#4	6'-8"	—

Note: See sheets 6 & 7 of 12 for additional details and Bill of Material.

Note:  
 Spacing of S(E) and S2(E) bars may be adjusted up to 4" in the immediate area of the transverse tie diaphragms to miss the block outs for the transverse ties.

**MINIMUM BAR LAP**

#4 bar = 2'-0"  
 #5 bar = 2'-6"

PD-1748-R 7-1-10

FILE NAME = 110266-shr-bridge.dgn	USER NAME =	DESIGNED - A.S.L.	REVISED -	<b>STATE OF ILLINOIS</b> <b>JEFFERSON COUNTY HIGHWAY DEPARTMENT</b>	<b>17" x 48" PPC DECK BEAM - SPAN 2</b> <b>STRUCTURE NO. 041-3748</b>	T.R.	SECTION	COUNTY	TOTAL SHEETS	SHEET NO.	
HAMPTON, LENZINI AND RENWICK, INC. 3348 STEVENSON DRIVE, SUITE 201 SPRINGFIELD, ILLINOIS 62703	PLOT SCALE =	CHECKED - S.W.M.	REVISED -			91	09-06122-00-BR	JEFFERSON	37	30	
ILLINOIS PROFESSIONAL DESIGN FIRM L3 / PE / SE CORP. 184.000939	PLOT DATE = 2/20/2012	DRAWN - D.A.B.	REVISED -			FARRINGTON ROAD DISTRICT	CONTRACT NO. 99471				
		CHECKED - S.W.M.	REVISED -			SHEET NO. 5 OF 12 SHEETS		ILLINOIS FED. AID PROJECT BR05-00810631			