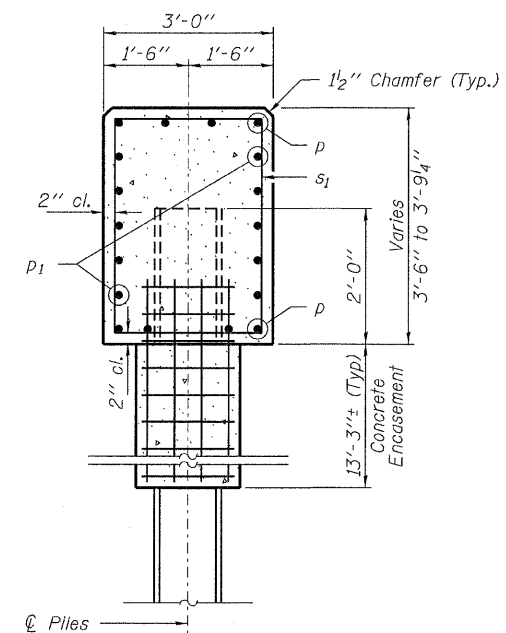
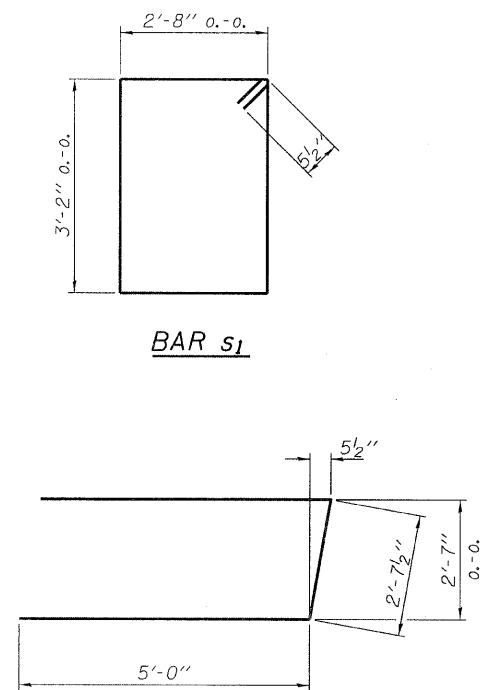


PLAN

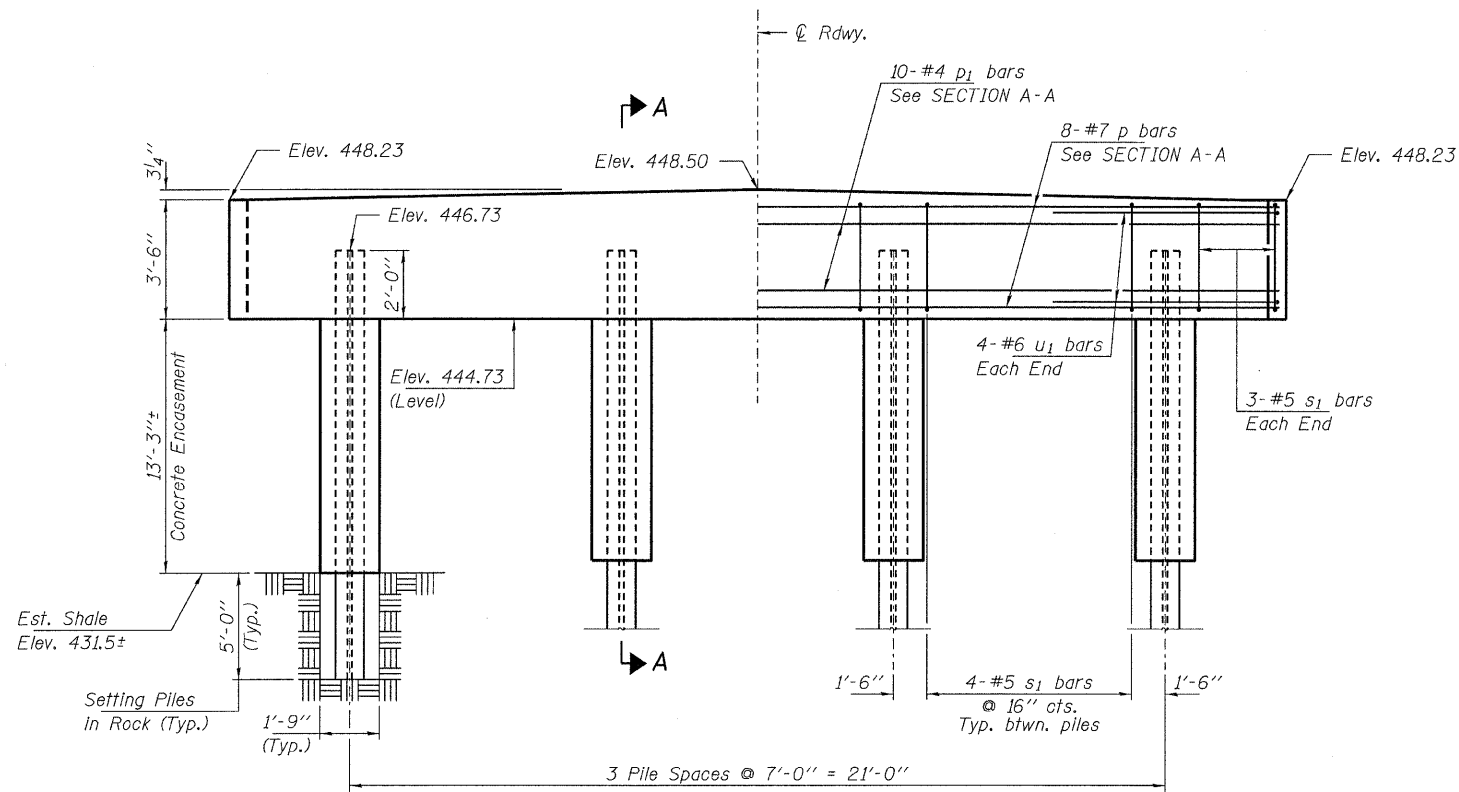


SECTION A-A



BAR s1

BAR u1



ELEVATION

PILE DATA

Type ----- Steel HP10x42
 No. Req'd. (2 Piers) ----- 8
 Factored Resistance Available ----- 184 Kips/Pile
 Nominal Req'd Bearing ----- 335 Kips/Pile
 Est. Length ----- 22 Ft/Pile

BILL OF MATERIAL - 2 PIERS

BAR	NO.	SIZE	LENGTH	SHAPE
p	16	#7	25'-7"	—
p1	20	#4	25'-7"	—
s1	36	#5	12'-7"	□
u1	16	#6	12'-8"	U
Concrete Structures			Cu. Yd.	20.8
Concrete Encasement			Cu. Yd.	12.0
Reinforcement Bars			Pound	1,960
Steel Piles HP10x42			Foot	176
Setting Piles in Rock			Each	8