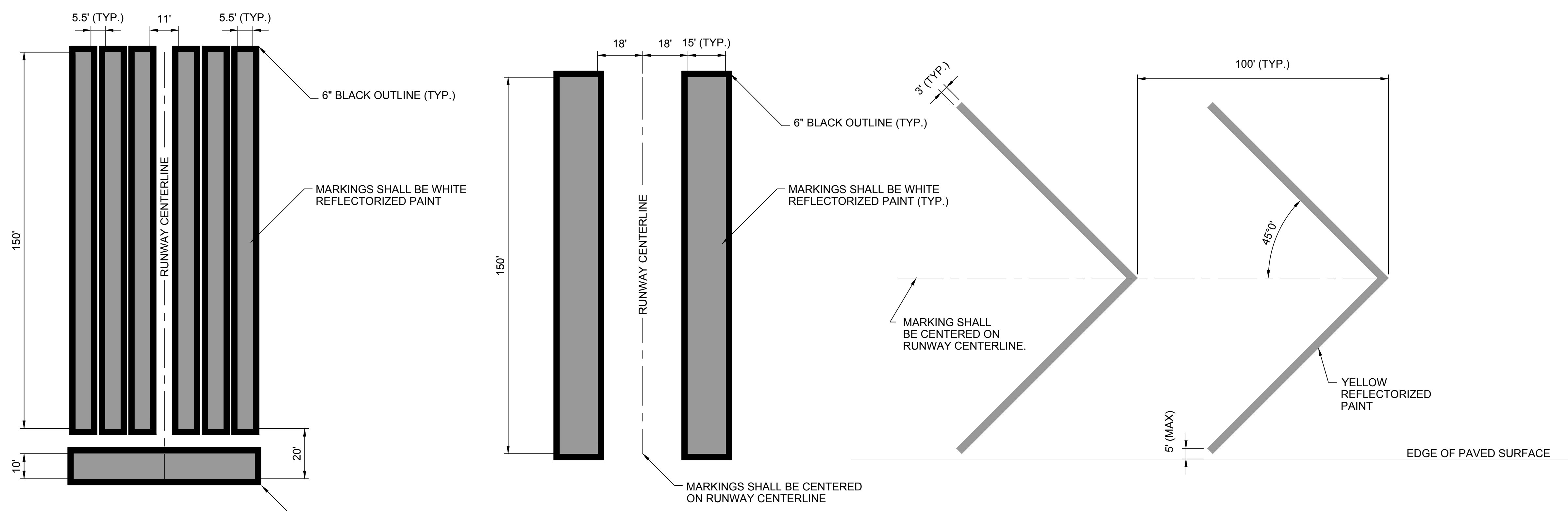


no.	date	by	ckd	description
0	05/09/12	JY	BJQ	ISSUED FOR BID



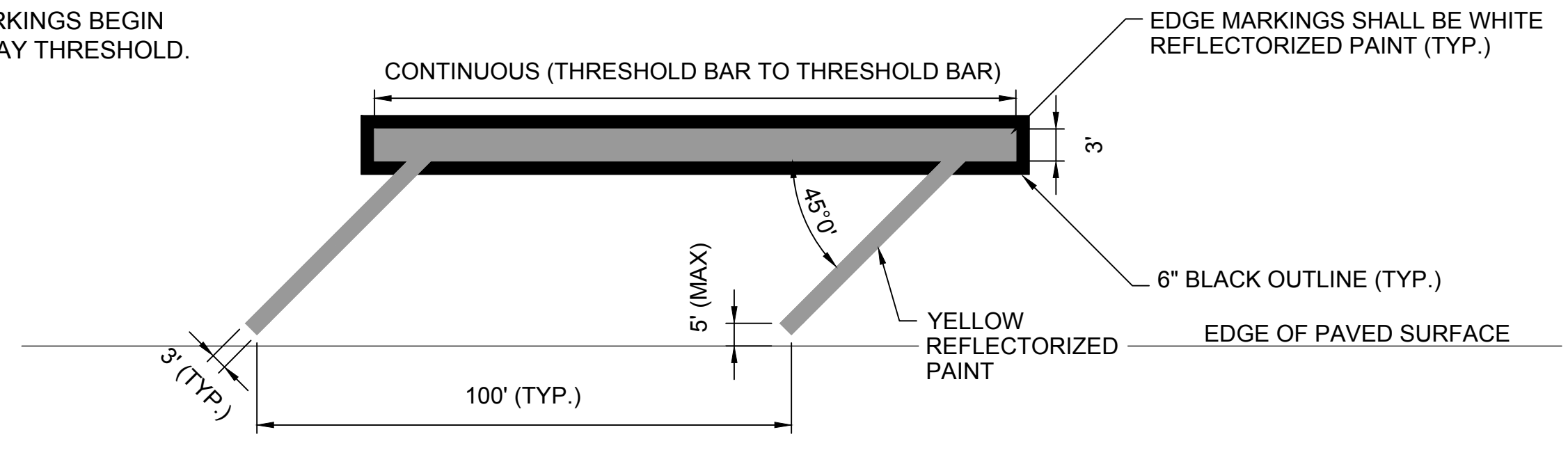
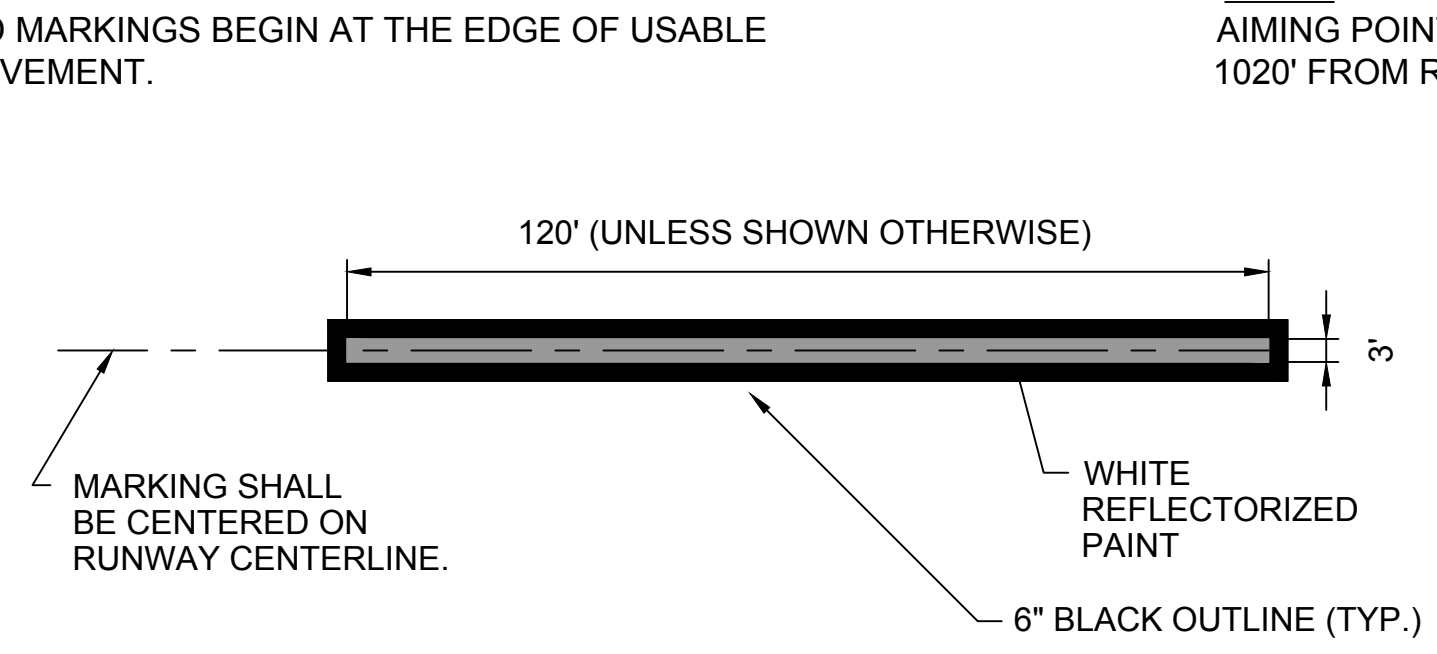
THRESHOLD MARKINGS
NOT TO SCALE

AIMING POINT MARKINGS
NOT TO SCALE

STOPWAY MARKINGS
NOT TO SCALE

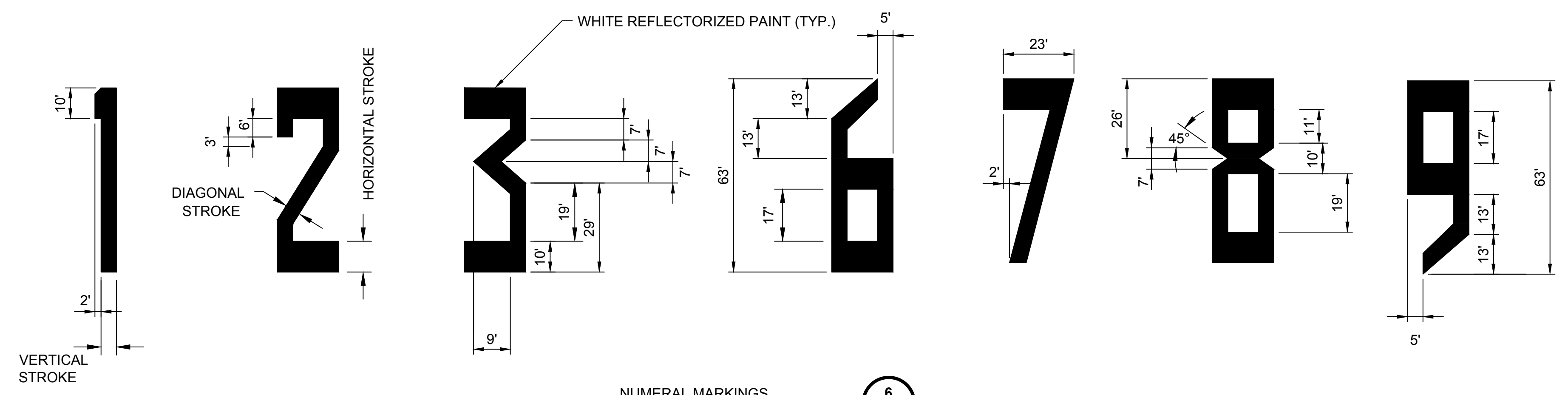
NOTE:
1. THRESHOLD MARKINGS BEGIN AT THE EDGE OF USABLE RUNWAY PAVEMENT.

NOTE:
AIMING POINT MARKINGS BEGIN 1020' FROM RUNWAY THRESHOLD.



CENTERLINE MARKINGS
NOT TO SCALE

SHOULDER MARKINGS
NOT TO SCALE



NUMERAL MARKINGS
NOT TO SCALE

- NOTES:**
- DIMENSIONS ARE EXPRESSED IN FEET.
 - ALL CHARACTERS SHALL HAVE THESE CHARACTERISTICS (UNLESS OTHERWISE SPECIFIED):
 - 60' HIGH
 - 20' WIDE
 - VERTICAL STROKE OF 5'
 - HORIZONTAL STROKE OF 10'
 - DIAGONAL STROKE OF 5'
 - ALL NUMERALS EXCEPT THE NUMBER ELEVEN AS SHOWN ARE HORIZONTALLY SPACED 15' APART.
 - SINGLE DESIGNATIONS ARE CENTERED ON THE RUNWAY PAVEMENT CENTERLINE. FOR DOUBLE DESIGNATIONS, THE CENTER OF THE OUTER EDGES OF THE TWO NUMERALS IS CENTERED ON THE RUNWAY PAVEMENT CENTERLINE.
 - ALL CHARACTERS SHALL HAVE A 6" BLACK OUTLINE TO IMPROVE VISIBILITY.



date	04/10/2012	detailed	J. YAHYA
designed	J. YAHYA	checked	B. QUINLAN

REMARK RUNWAYS 18/36 AND 9/27
RUNWAY MARKING DETAILS

project	67423	contract	CONTRACT
drawing	C3.01	rev.	0
sheet	15	of	15 sheets
file	67423_C3.01_DETAILS.DWG		

Scale For Microfitting
Millimeters
Inches

COPYRIGHT © 2012 BURNS & MCDONNELL ENGINEERING COMPANY, INC.