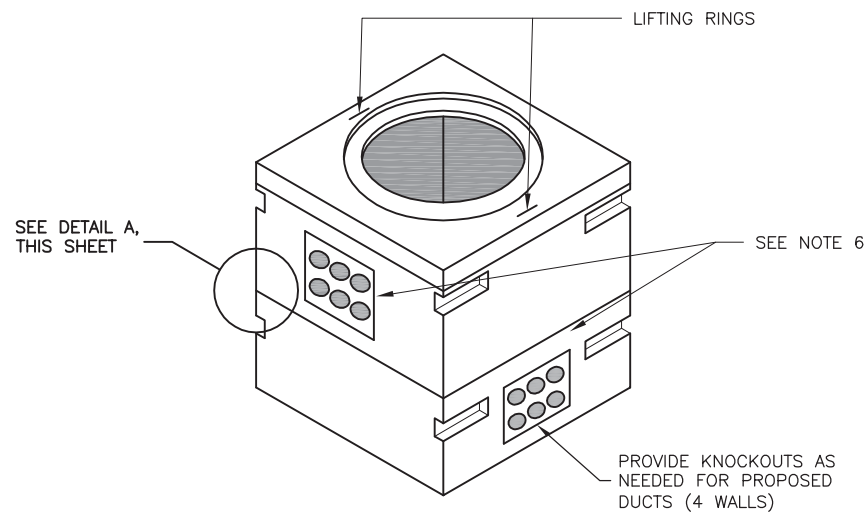
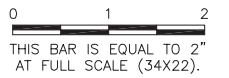
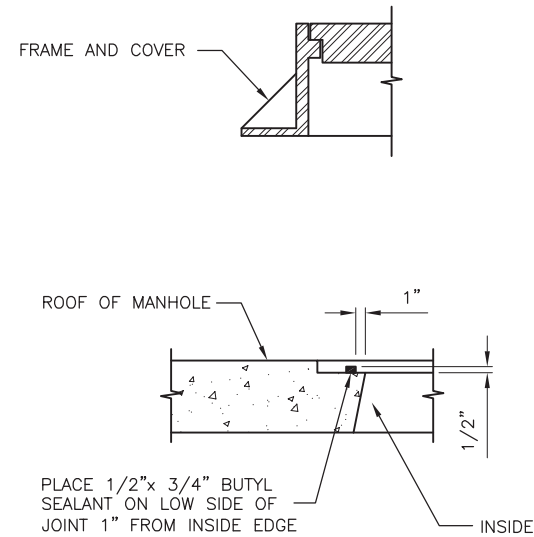


UN051

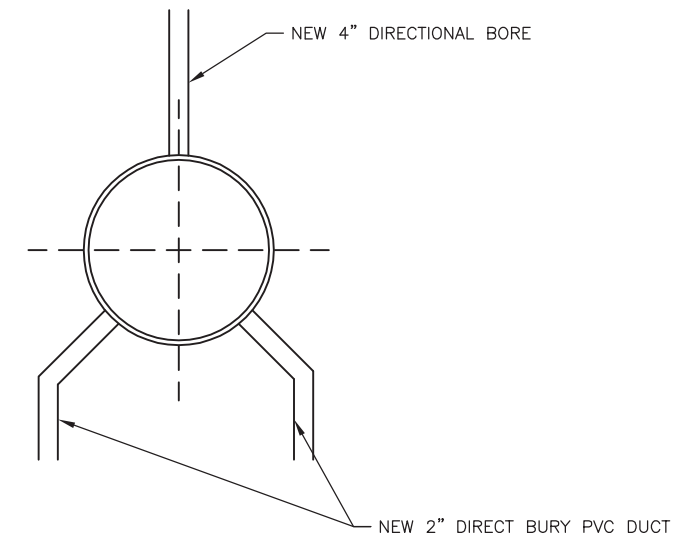
REVISIONS		
NUMBER	BY	DATE



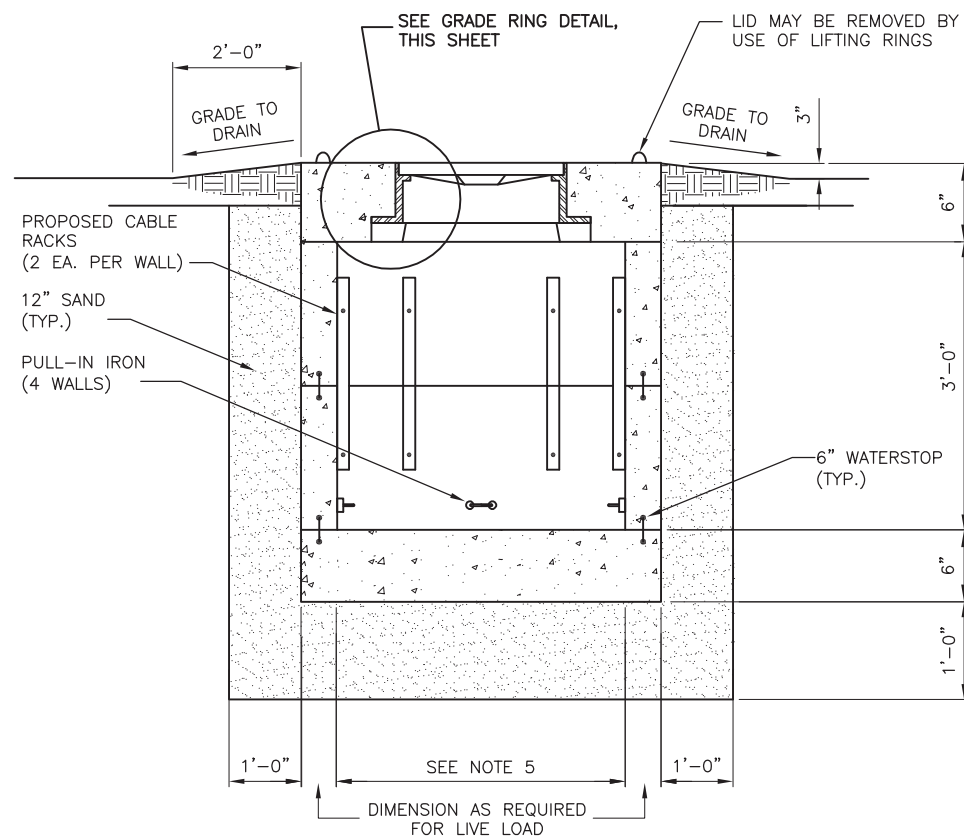
ELECTRICAL HANDHOLE DETAIL
N.T.S.



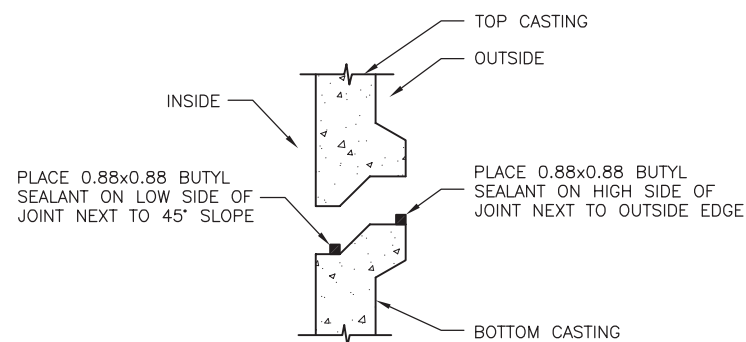
GRADE RING DETAIL
N.T.S.



24\"/>



ELECTRICAL HANDHOLE DETAIL
N.T.S.



DETAIL A
N.T.S.

NOTES

- THE HANDHOLE/GRADE RING/HANDHOLE LID ASSEMBLY SHALL BE CONSTRUCTED TO MEET OR EXCEED THE FOLLOWING LOADINGS:
 - A. EARTHLOAD = 2 FEET FILL AT 130 LBS/FT³
 - B. SURCHARGE = 2 FEET FILL AT 130 LBS/FT³
 - C. LIVE LOAD = A.A.S.H.T.O. HS-20 TRUCK WITH 20% IMPACT
 - D. f'c = 4,500 P.S.I.
 - E. fy = 60,000 P.S.I.
 - F. ULTIMATE STRENGTH DESIGN METHOD
 THE SUPPLIER SHALL PROVIDE CERTIFICATION THAT THE HANDHOLES MEET OR EXCEED THESE REQUIREMENTS PRIOR TO INSTALLATION.
- THE HANDHOLE CONSTRUCTION AND INSTALLATION SHALL BE WATERTIGHT. ALL CONSTRUCTION JOINTS AND DUCTS SHALL BE SEALED TO PREVENT WATER ENTRY. ALL UNUSED DUCT BANK OPENINGS IN HANDHOLE SHALL BE SEALED WITH METAL PLATES TREATED FOR CORROSION RESISTANCE AND BOLTED INTO PLACE. MATING SURFACES SHALL BE SEALED USING BUTYL SEALANT.
- THE HANDHOLE LID ASSEMBLY SHALL BE INSTALLED SLIGHTLY ABOVE THE SURROUNDING FINAL GRADE AND THE EARTH SHALL BE GRADED UP TO IT.
- THE HANDHOLE COVER SHALL BE LOCKABLE UTILIZING A PENTAGON BOLT ASSEMBLY.
- PROPOSED ELECTRICAL HANDHOLE SHALL BE THE FOLLOWING INTERIOR DIMENSIONS:
 - A. ELECTRICAL HANDHOLE - 4' = 4' L x 4' W x 3' H
- THE WALL KNOCKOUTS FOR THE NORTH/SOUTH WALLS SHALL BE PLACED AT HIGHER OR LOWER ELEVATIONS THAN THE WALL KNOCKOUTS FOR THE EAST/WEST WALLS TO ALLOW THE DUCTS TO CROSS.
- THE HANDHOLE LID BE SET THAT IF DESIRED, THE LID MAY BE REMOVED BY USE OF THE LIFTING RINGS.

WILLARD AIRPORT
UNIVERSITY OF ILLINOIS

NEW AIRFIELD LIGHTING VAULT
ELECTRICAL DETAILS 4

© Copyright CMT, Inc.

CMT
CRAWFORD, MURPHY & TILLY, INC.
CONSULTING ENGINEERS
License No. 184-000613



DESIGN BY:	CBG/WDP
DRAWN BY:	CMT
CHECKED BY:	CET
APPROVED BY:	CET
DATE:	APRIL 20, 2012
JOB No:	11059-03

IL PROJ. NO. CMI-4100
AIP PROJ. NO. 3-17-0016-XX