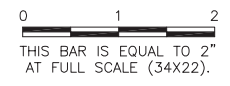


UN051

REVISIONS		
NUMBER	BY	DATE

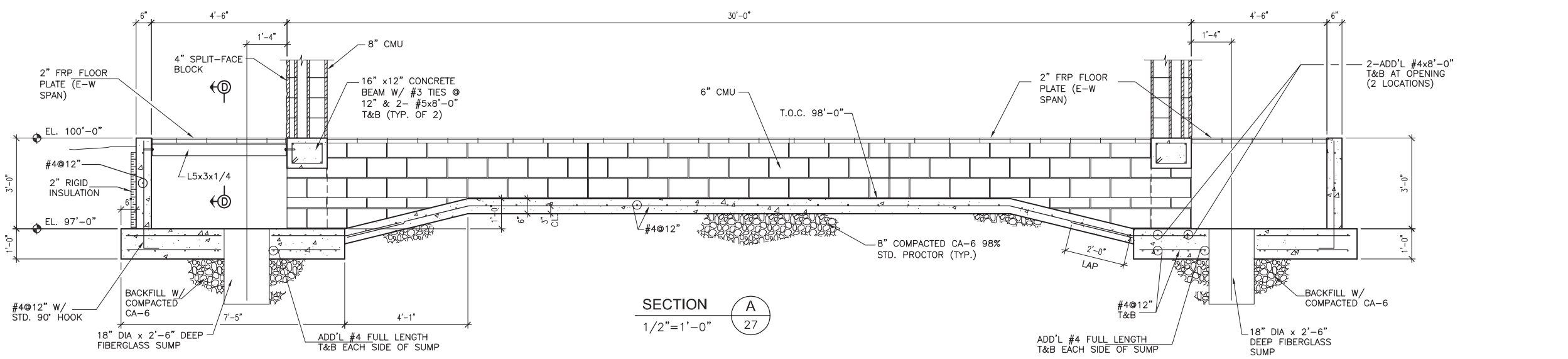


**WILLARD AIRPORT
 UNIVERSITY OF ILLINOIS**

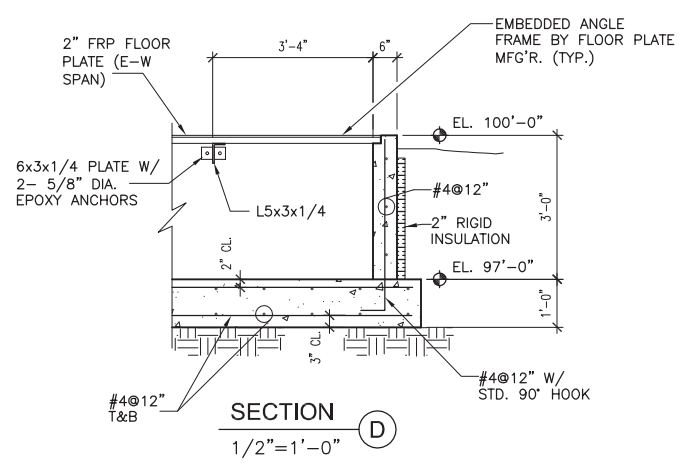
**NEW AIRFIELD LIGHTING VAULT
 FOUNDATION SECTIONS**

© Copyright CMT, Inc.
CMT
 CRAWFORD, MURPHY & TILLY, INC.
 CONSULTING ENGINEERS
 License No. 184-000613

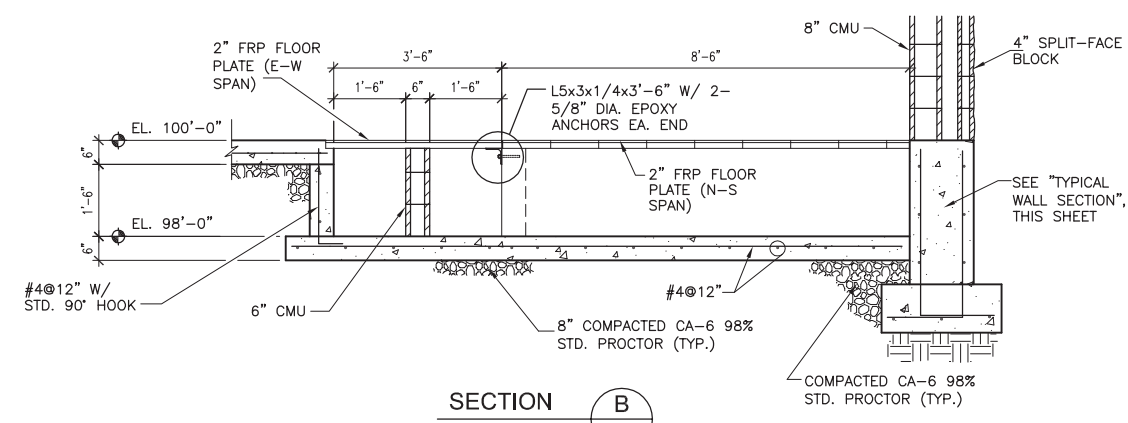
DESIGN BY:	JEL
DRAWN BY:	CMT
CHECKED BY:	JJF
APPROVED BY:	JJF
DATE:	APRIL 20, 2012
JOB No:	11059-03
IL PROJ. NO.	CMI-4100
AIP PROJ. NO.	3-17-0016-XX
SHEET	41 OF 60 SHEETS



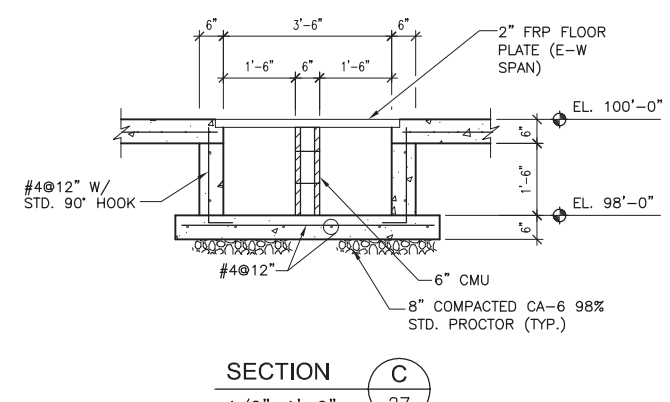
SECTION A
 1/2" = 1'-0" 27



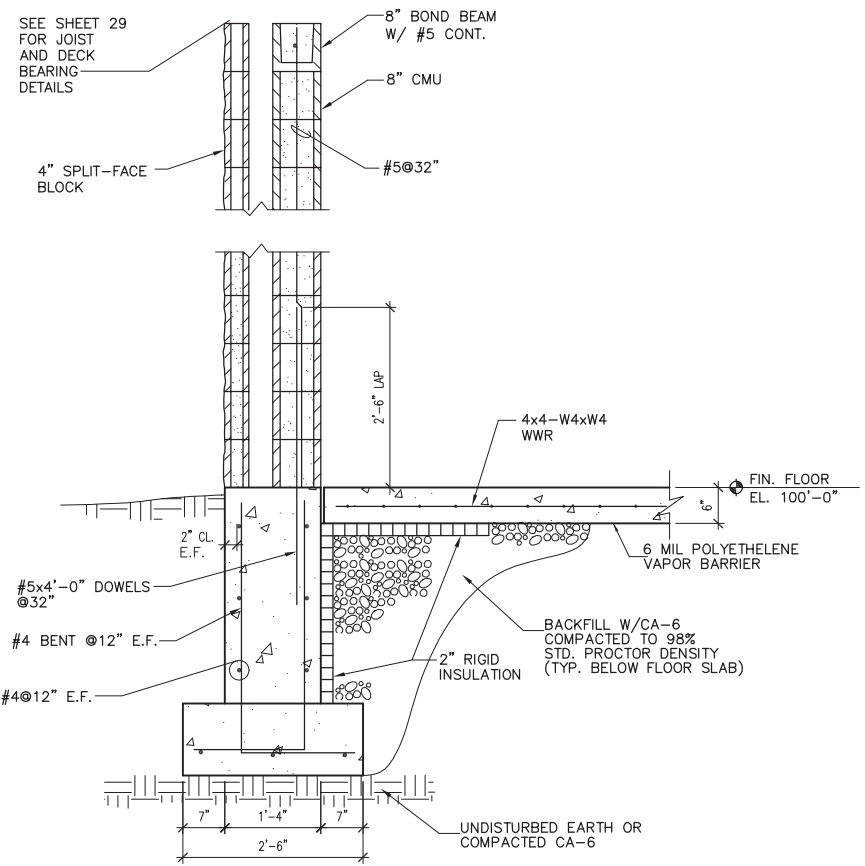
SECTION D
 1/2" = 1'-0"



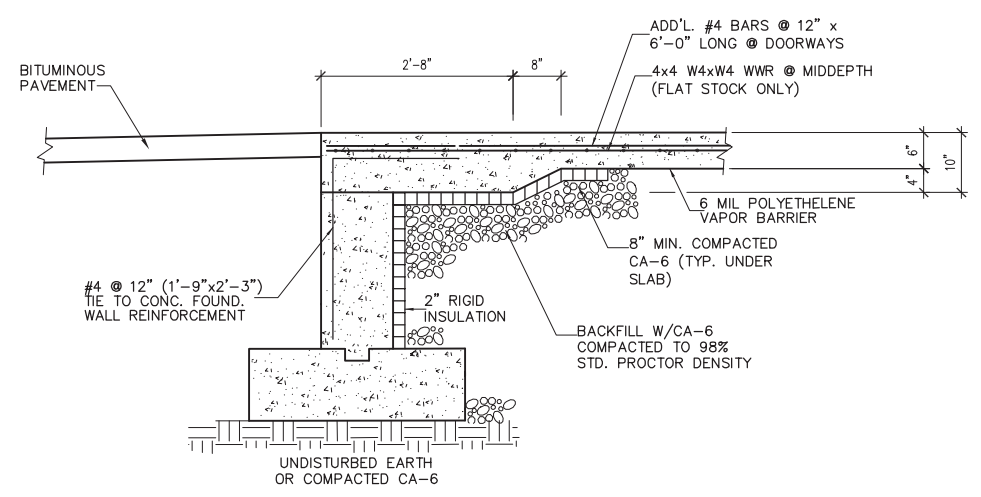
SECTION B
 1/2" = 1'-0" 27



SECTION C
 1/2" = 1'-0" 27



TYPICAL WALL SECTION
 3/4" = 1'-0"



SECTION THRU DOORWAY
 3/4" = 1'-0"

- EXISTING BUILDING SITE WAS PREVIOUSLY THE SITE OF A QUONSET HUT. EXISTING SOIL MAY BE DISTURBED AND NOT SUITABLE TO BUILD ON. DISTURBED SOIL SHALL BE COMPACTED OR REPLACED IN ACCORDANCE WITH PROJECT SPECIFICATIONS.