

**FAN SCHEDULE**

MARK	EF-1	
SERVICE	VAULT	
LOCATION	ROOF	
TYPE	ROOFTOP CENT.	
CFM	4000	
S.P.	0.25"	
FAN RPM	811	
MOTOR	HP	3/4
	VOLT	115
	PHASE	1
	RPM	1725
ACCESSORIES	SEE NOTES 1,2,3,4,5,6,7,8	
REMARKS	BELT	

- NOTES: 1. NEMA 4X DISCONNECT  
 2. 12" HIGH ROOF CURB  
 3. ALUMINUM BIRDSCREEN  
 4. BAKED ENAMEL FINISH - COLOR SELECTED BY  
 5. MOTORIZED DAMPER  
 6. CLOSE ON RISE, LINE VOLTAGE THERMOSTAT W/ H-O-A SWITCH  
 7. BELT DRIVE WITH GRIP NOTCH BELT  
 8. STAINLESS STEEL SHAFT AND FASTENERS

**STATIONARY LOUVER SCHEDULE**

MARK	SL-1	SL-2
SERVICE	INTAKE	INTAKE
LOCATION	VAULT	VAULT
TYPE	DRAINABLE	DRAINABLE
CFM	2000	2000
MAX. Δ S.P. (IN)	0.1	0.1
NOM. SIZE	WIDTH	32"
	HEIGHT	24"
	DEPTH	4"
AREA (SQ. FT.)	NET	5.33
	FREE	2.8
FRAME	STANDARD	STANDARD
MATERIAL	ALUMINUM	ALUMINUM
FINISH	KYNAR	KYNAR
ACCESSORIES	SEE NOTES	SEE NOTES
REMARKS	INTERLOCK DAMPER WITH EF-1	INTERLOCK DAMPER WITH EF-1

- NOTES: 1. COLOR TO BE SELECTED BY ARCHITECT  
 2. BIRD SCREEN  
 3. EXTENDED SILL  
 4. MOTORIZED DAMPER

**UNIT HEATER SCHEDULE**

MARK	UH-1	UH-2
LOCATION	VAULT	VAULT
SERVICE	-	-
TYPE	HORIZONTAL	HORIZONTAL
INPUT KW	10	10
MBH	34130	34130
FAN	CFM	850
	RPM	1050
	HP	1/15
ELECT.	VOLT	480
	PHASE	3
	AMPS	12.9
ACCESSORIES	SEE NOTES 1,2,3	SEE NOTES 1,2,3
REMARKS	MOUNT BOTTOM OF UNIT 8'-0" AFF	MOUNT BOTTOM OF UNIT 8'-0" AFF

- NOTES: 1. WALL MOUNTING KIT  
 2. DISCONNECT SWITCH  
 3. REMOTE THERMOSTAT W/ H-O-A TO CONTROL BOTH HEATERS

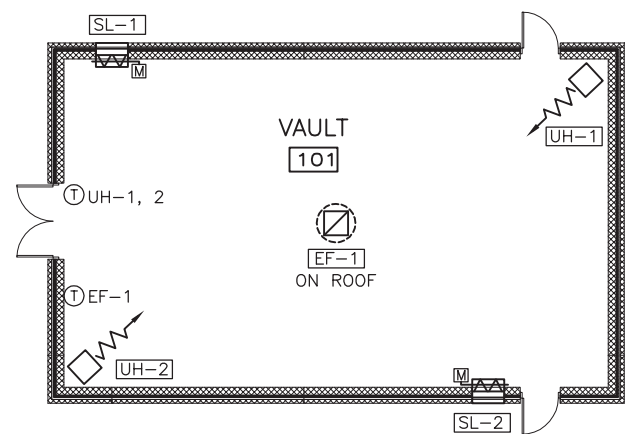
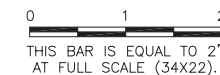
**GENERAL NOTES**

1. WORK SHALL BE PERFORMED IN STRICT ACCORDANCE WITH THE LATEST CODES AND INDUSTRY STANDARDS, AS WELL AS THE LATEST OSHA, STATE OF ILLINOIS REQUIREMENTS, AND CITY OF SAVOY, ILLINOIS CODES.
2. CONTRACTOR SHALL COORDINATE WORK WITH OTHER TRADES AND INSTALL ALL EQUIPMENT, DUCTWORK, AND PIPING TO AVOID INTERFERENCE WITH STRUCTURAL MEMBERS AND EQUIPMENT.
3. DRAWINGS ARE TO BE USED IN CONJUNCTION WITH THE PROJECT SPECIFICATIONS AND OTHER RELATED DRAWINGS.
4. PIPING AND DUCT LAYOUT ARE APPROXIMATE AND SHALL BE COORDINATED TO AVOID FIELD INTERFERENCES.
5. REFER TO ARCHITECTURAL DRAWINGS AND/OR CONSULT ARCHITECT/ENGINEER PRIOR TO ROUGH-IN FOR MECHANICAL WORK TO AVOID FIELD CONFLICTS.
6. MATERIALS AND EQUIPMENT USED ON THIS PROJECT SHALL BE NEW. NEW EQUIPMENT SHALL BE U.L. APPROVED AS APPLICABLE.
7. HVAC DUCTWORK AND ACCESSORIES SHALL BE DESIGNED AND INSTALLED IN ACCORDANCE WITH SMACNA HVAC DUCT CONSTRUCTION STANDARDS AND APPLICABLE SPECIFICATION SECTIONS.
8. HVAC DUCTWORK, ACCESSORIES AND MATERIALS SHALL BE INSTALLED IN ACCORDANCE WITH THE APPLICABLE SPECIFICATION SECTIONS AND MANUFACTURERS RECOMMENDATIONS.
9. THERMOSTATS SHALL BE PROVIDED BY MECHANICAL CONTRACTOR, FIELD LOCATED, AND SHALL BE MOUNTED APPROXIMATELY 54" AFF.

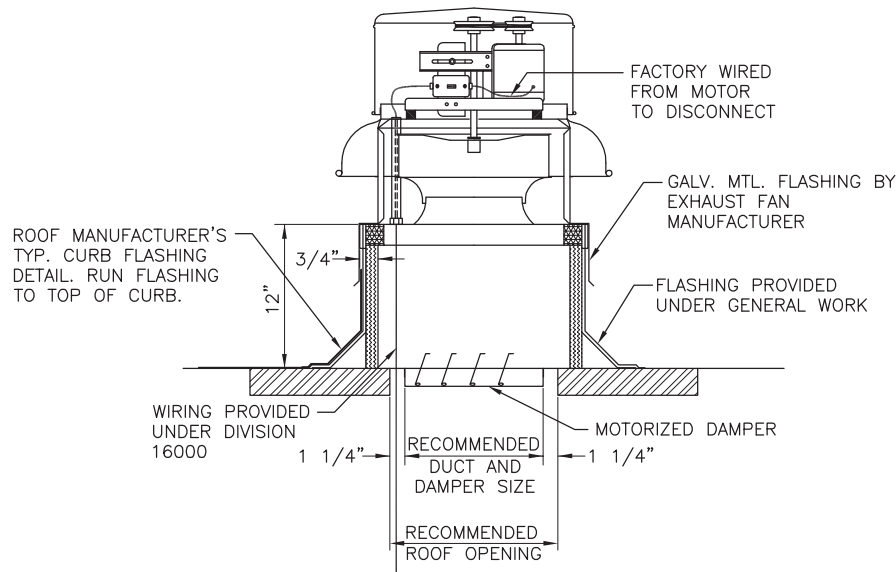
K:\Champaign\1105903\Draw\Sheets  
 FILE: 1105903-A-5202.dwg  
 UPDATE BY: Chris Groth  
 PLOT DATE: 4/30/2012 6:07 PM  
 X-Floor Plan

**UN051**

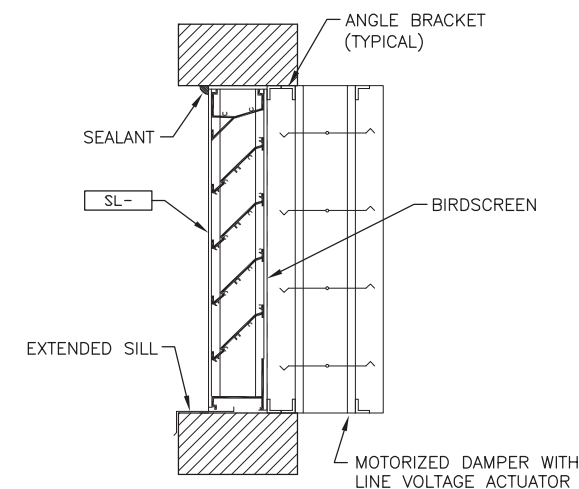
REVISIONS		
NUMBER	BY	DATE



**1 FLOOR PLAN**  
 SCALE: N.T.S.  
 PROJECT



**ROOF MOUNTED EXHAUST FAN DETAIL**  
 N.T.S.



**STATIONARY LOUVER WITH MOTORIZED DAMPER DETAIL**  
 N.T.S.

WILLARD AIRPORT  
 UNIVERSITY OF ILLINOIS

NEW AIRFIELD LIGHTING VAULT  
 HEATING & VENTILATION PLAN

© Copyright CMT, Inc.  
**CMT**  
 CRAWFORD, MURPHY & TILLY, INC.  
 CONSULTING ENGINEERS  
 License No. 184-000613

DESIGN BY:	HEC
DRAWN BY:	CMT
CHECKED BY:	HEC
APPROVED BY:	HEC
DATE:	APRIL 20, 2012
JOB No:	11059-03
IL PROJ. NO.	CMI-4100
AIP PROJ. NO.	3-17-0016-XX
SHEET	43 OF 60 SHEETS