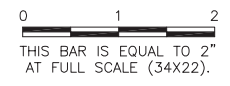


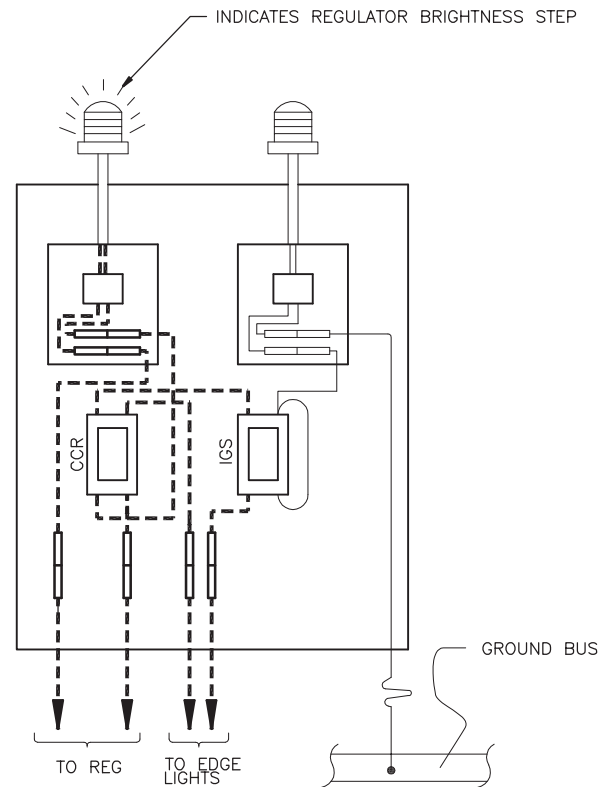
UN051

REVISIONS		
NUMBER	BY	DATE

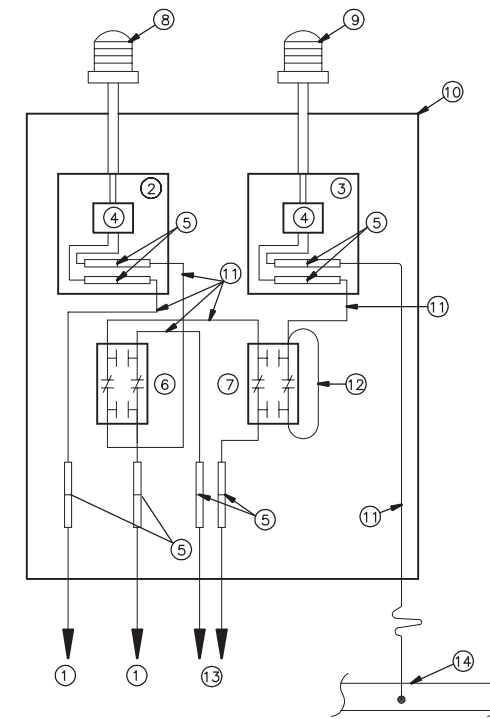


TESTING

1. TO TEST FOR A GROUND FAULT ON EDGE LIGHT SERIES CIRCUIT:
 - A. TURN OFF REGULATOR
 - B. REMOVE "IGS" S1 CUTOUT FROM SOCKET
 - C. TURN REGULATOR ON
 - D. VERIFY THAT REGULATOR OUTPUT INDICATION LAMP IS ILLUMINATED AND INDICATES REGULATOR BRIGHTNESS STEP
 - E. GROUND FAULT INDICATION LAMP WILL ILLUMINATE IF A GROUND FAULT EXISTS ON THE LIGHTING CIRCUIT
2. TO ISOLATE REGULATOR FROM EDGE LIGHT SERIES CIRCUIT HOMERUN AND GROUND FAULT INDICATION CIRCUIT FOR TESTING JUST THE REGULATOR:
 - A. TURN OFF REGULATOR
 - B. REMOVE "CCR" S1 CUTOUT FROM SOCKET.
 - C. TURN REGULATOR ON
 - D. THE CCR OUTPUT INDICATION LAMP AT MOUNTING PANEL WILL STILL ILLUMINATE FOR TESTING REGULATOR

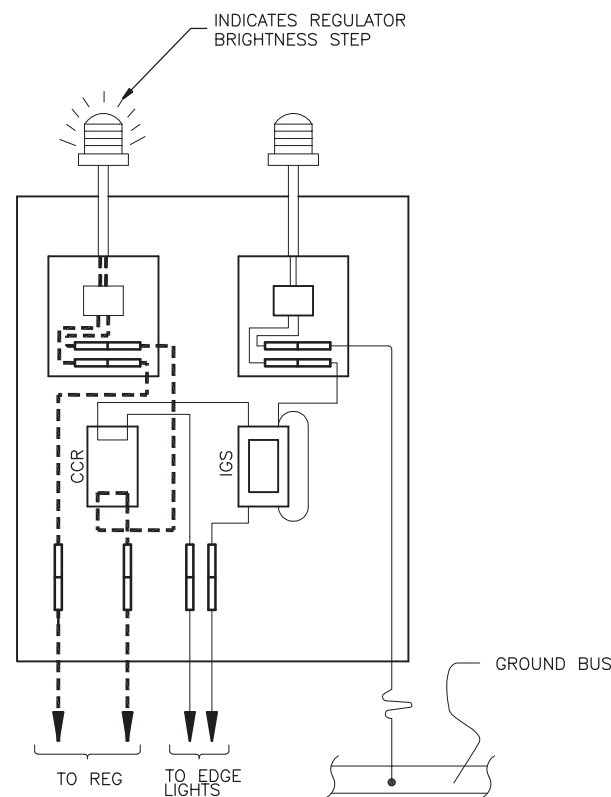


----- INDICATES CURRENT FLOW
NORMAL OPERATION
 NTS
 (BOTH PLUG CUTOUTS ARE IN)

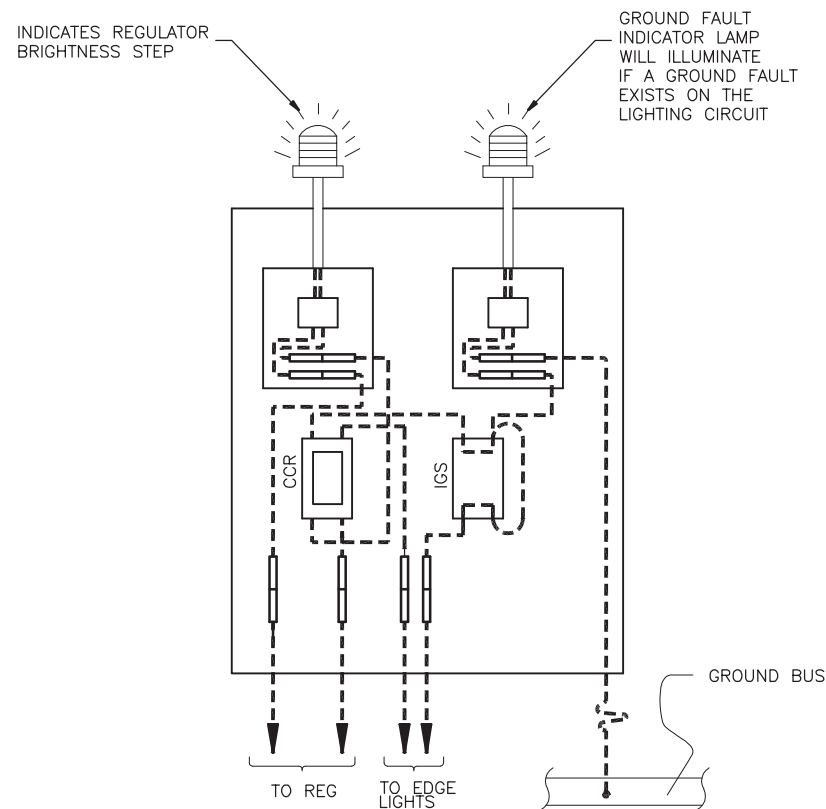


REGULATOR INDICATING LIGHT NOTES

- ① 5KV L-824 CABLES TO REGULATOR.
- ② HINGED COVER NEMA 1 ENCLOSURE SIZED AS REQUIRED TO HOUSE EQUIPMENT, WITH ENGRAVED NAMEPLATE READING: "CIRCUIT INDICATOR".
- ③ HINGED COVER NEMA 1 ENCLOSURE SIZED AS REQUIRED TO HOUSE EQUIPMENT, WITH ENGRAVED NAMEPLATE READING: "GROUND INDICATOR".
- ④ L-830 ISOLATION TRANSFORMER.
- ⑤ L-823 CONNECTOR.
- ⑥ "CCR" TYPE S-1 PLUG CUTOUT FOR ISOLATING REGULATOR OUTPUT TO TEST REGULATOR.
- ⑦ "IGS" TYPE S-1 PLUG CUTOUT FOR INTENTIONAL GROUNDING OF SERIES CIRCUIT TO TEST FOR GROUND FAULTS.
- ⑧ REGULATOR OUTPUT INDICATION EDGE LIGHT (RUNWAY OR TAXIWAY EDGE LIGHT).
- ⑨ GROUND FAULT INDICATION EDGE LIGHT WITH WHITE GLOBE.
- ⑩ EQUIPMENT MOUNTING PANEL.
- ⑪ 5KV L-824 CABLE.
- ⑫ 5KV L-824 CABLE USED AS A JUMPER.
- ⑬ REGULATOR SERIES CIRCUIT HOMERUN CABLES TO EDGE LIGHTS.
- ⑭ CLAMP TO GROUND BUS.



----- INDICATES CURRENT FLOW
REGULATOR TESTING
 NTS
 "CCR" PLUG CUTOUT IS OUT
 "IGS" CUTOUT IS IN



----- INDICATES CURRENT FLOW
GROUND FAULT TESTING
 NTS
 "CCR" PLUG CUTOUT IS IN
 "IGS" PLUG CUTOUT IS OUT

WILLARD AIRPORT
UNIVERSITY OF ILLINOIS
NEW AIRFIELD LIGHTING VAULT
NEW VAULT DETAILS 4

© Copyright CMT, Inc.

CMT
 CRAWFORD, MURPHY & TILLY, INC.
 CONSULTING ENGINEERS
 License No. 184-000613

DESIGN BY:	WDP
DRAWN BY:	CMT
CHECKED BY:	JEH
APPROVED BY:	JEH
DATE:	APRIL 20, 2012
JOB No:	11059-03
IL PROJ. NO.	CMI-4100
AIP PROJ. NO.	3-17-0016-XX
SHEET	54 OF 60 SHEETS