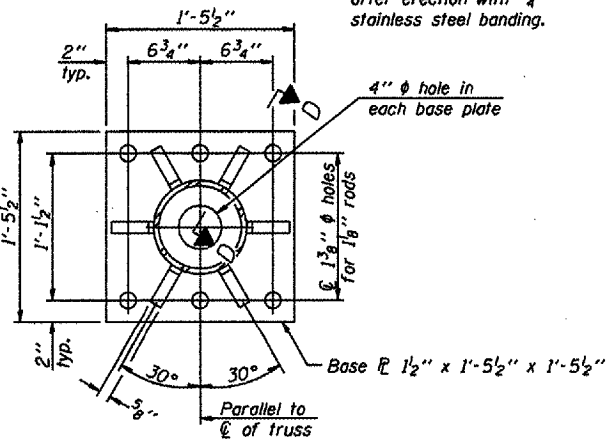
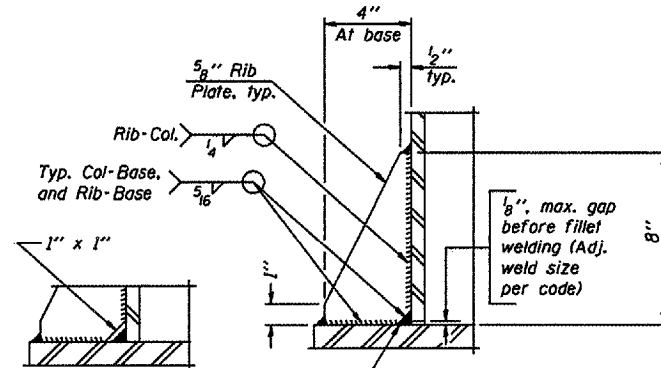


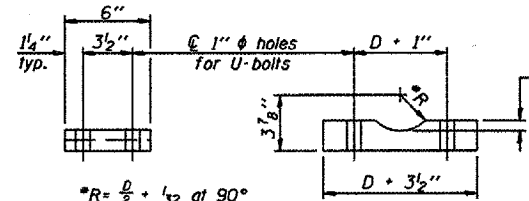
DETAIL B
Stainless Steel Standard Grade Wire Cloth, 3" wide, 1/4" maximum opening with a minimum wire diameter of AWG. No. 16 with a minimum 2" lap. Secure to base plate after erection with 3/4" stainless steel banding.



SECTION B-B

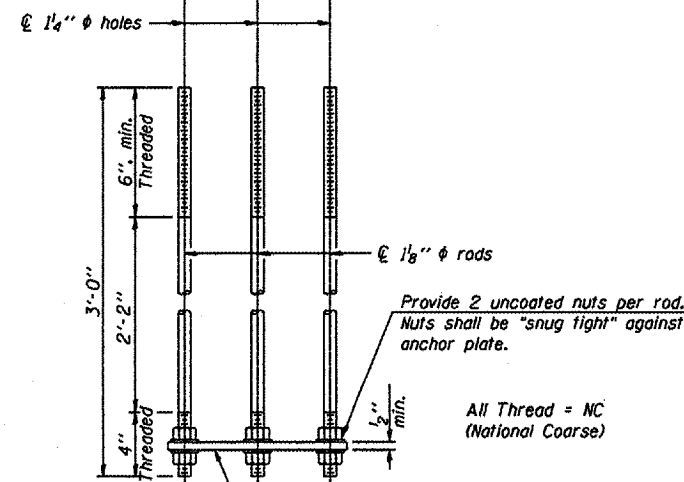
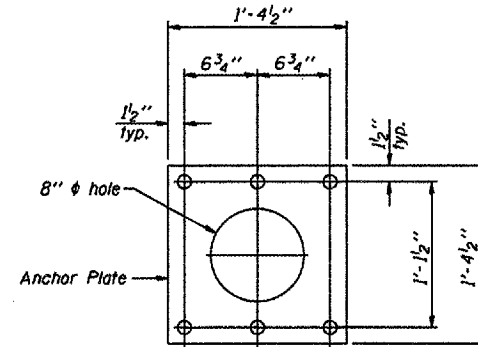


SECTION D-D
No snip req'd. at rib inside corner if placed before col. to base plate welding.
Alternate detail if welding col. to base plate first, then snip inside corner of ribs. Terminate weld on rib 1/4" from snip.



SADDLE SHIM DETAIL
ASTM B26 Alloy 356-F
or
ASTM B209 Alloy 6061-T651 (4 required per sign truss)

Truss Chord Nominal Dia.	σ
5"	3/4"
5 1/2"	15/16"
6"	7/8"
6 1/2"	15/16"

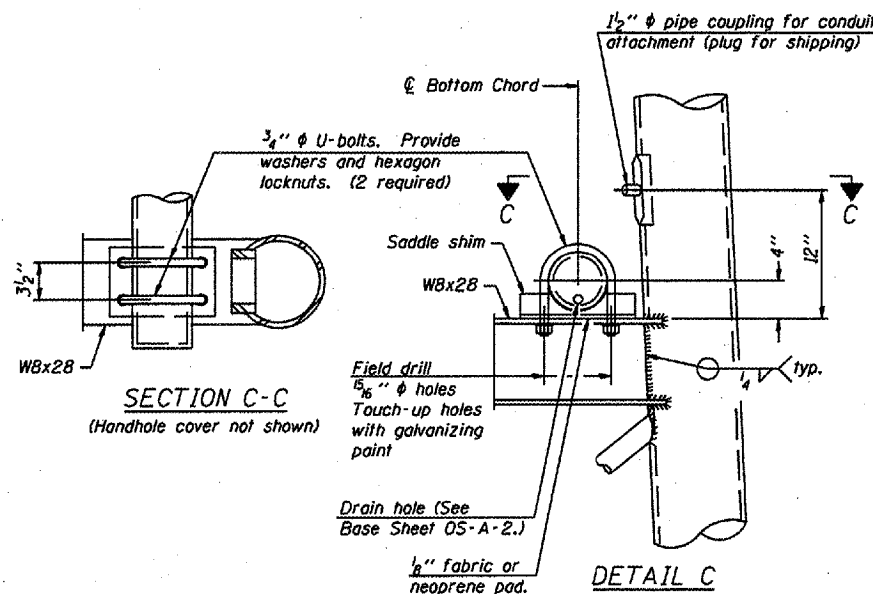


ANCHOR ROD DETAIL
Spread Footing Foundation

ANCHOR ROD DETAIL
Drilled Shaft Foundation

All Thread = NC (National Coarse)

Anchor rods shall conform to AASHTO M314 Grade 36 or 55 and meet Charpy V-Notch (CVN) energy of 15 lb.-ft. at 40° F. Galvanize upper 12" per AASHTO M232. No welding shall be permitted on rods.



DETAIL C

TYPE I-A TRUSS
8" PIPE SUPPORT FRAME DETAILS

OVERHEAD SIGN STRUCTURES
SUPPORT FRAME DETAILS ALUMINUM TRUSS

District 2
Overhead Sign
Structure Replacement

NUMBER	REVISION	DATE

DESIGNED		20
CHECKED		EXAMINED
DRAWN		PASSED
CHECKED		