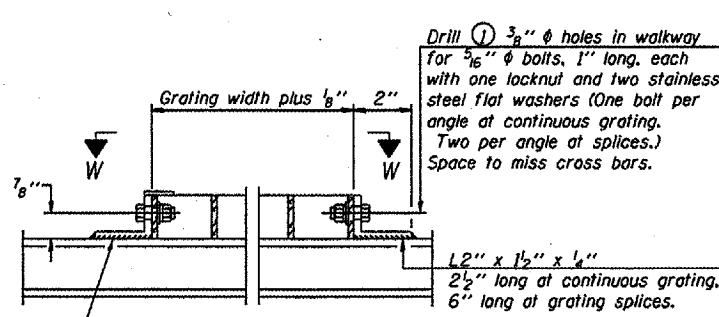
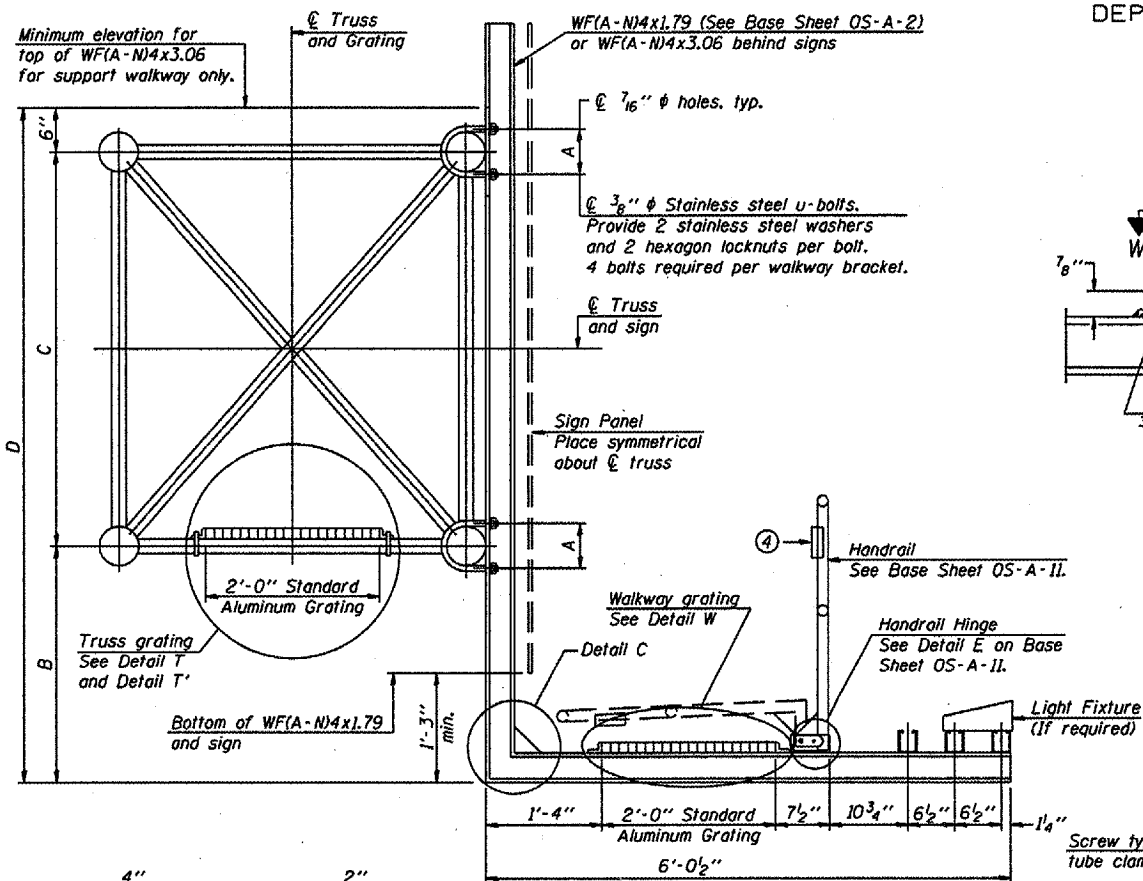
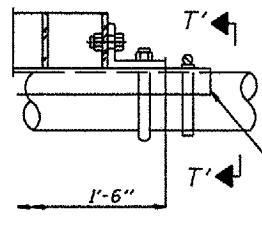


STATE OF ILLINOIS  
DEPARTMENT OF TRANSPORTATION

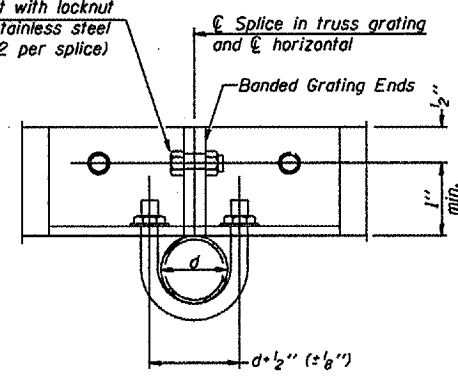
Various Routes  
OVD SIN STR REP & REPL 2006-9  
Various Counties  
Sheet 30 of 89  
Contract Number 44904



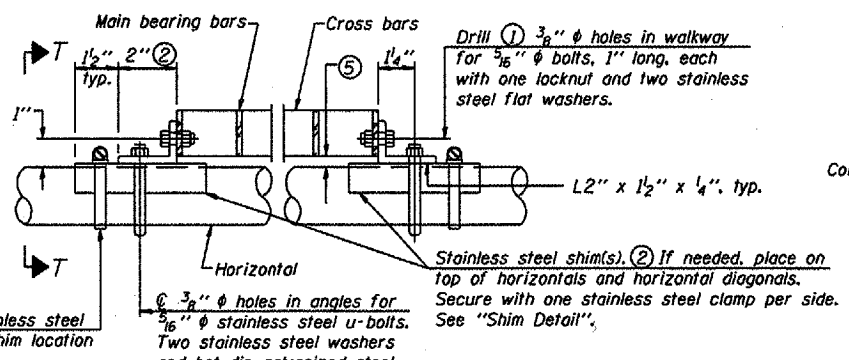
DETAIL W  
(Walkway grating)



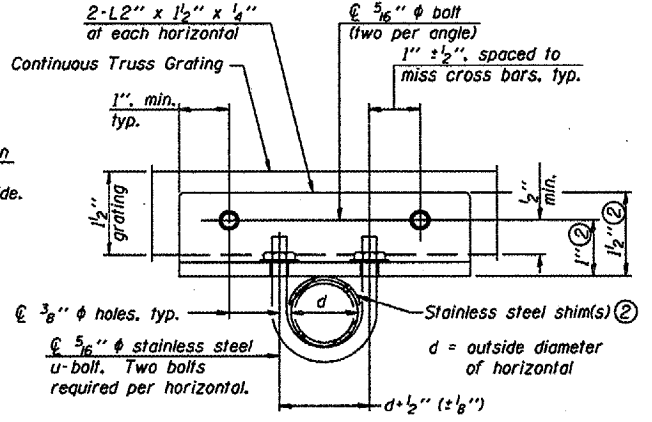
DETAIL T'  
(Truss grating splice)  
Details not shown same as Detail T. Alternate materials may be used subject to the Engineer's review and approval.



SECTION T'-T'



DETAIL T  
(Continuous Truss grating)



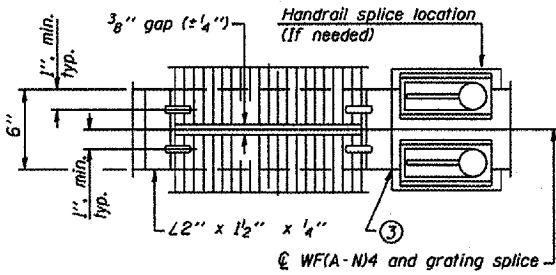
SECTION T-T

SPECIFICATIONS FOR STANDARD ALUMINUM GRATING

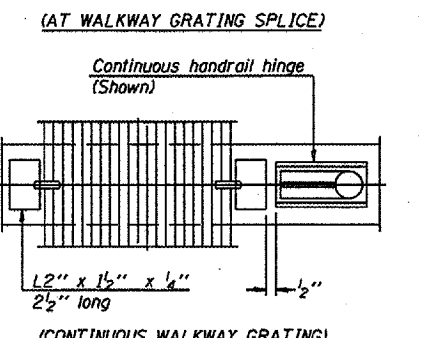
Main Bearing Bars shall be 3/16" x 1 1/2" on 1 3/8" centers and conform to ASTM B221 Alloy 6061-T6.  
Cross bars shall be 3/16" x 1 1/2" on 4" centers and conform to ASTM B221 Alloy 6063-T5 or 6061-T6.

OR

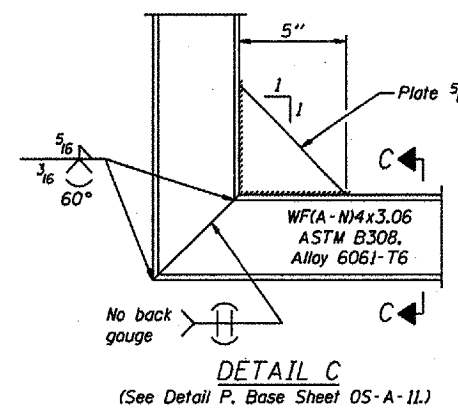
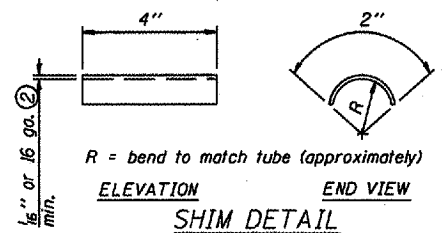
Aluminum Grating with modified "4" sections for main bearing bars shall meet the following requirements:  
Main bars shall conform to ASTM B221 Alloy 6061-T6 and have a minimum section modulus equal to 0.0705 in.<sup>3</sup> per bar, a depth of 1 1/2", spaced on 1 3/8" centers.  
Cross bars shall conform to ASTM B221 Alloy 6063-T5 or T-42 and spaced on 4" centers.



SECTION B-B



SECTION W-W



SECTION C-C

DESIGNED	20
CHECKED	EXAMINED
DRAWN	PASSED
CHECKED	ENGINEER OF BRIDGES AND STRUCTURES

NUMBER	REVISION	DATE

Structure Number	Station	A	B	C	D
2S0061080R059.5	1316 + 20	5' 7/8"	3'-10 1/2"	5' - 3"	9' - 8"
2S0371080L011.4	1026 + 40	5' 3/8"	5' - 3"	4' - 6"	10' - 6"

At all other locations the existing walkway and walkway support brackets will be reused.

- Drilling holes in grating may be done in shop or field, based on Contractor's preference and subject to accurate alignment.
- Stainless steel shims shall be placed as shown in Detail T if needed to compensate for alignment variations between horizontal and diagonal pipes beyond adjustment provided by angles. Thicker shims may be used subject to shims performing properly.
- If Handrail Joint present, weld angle to WF(A-N)4 and 1/4" extension bars. (See Base Sheet OS-A-11.)
- 5/8" x 1/2" x 2" welded to handrail posts to protect locations that contact grating.
- Tube to grating gap may vary from 0 to 1/2", max. to align walkway, allow for camber, etc.

OVERHEAD SIGN STRUCTURES  
ALUMINUM WALKWAY DETAILS

District 2  
Overhead Sign  
Structure Replacement