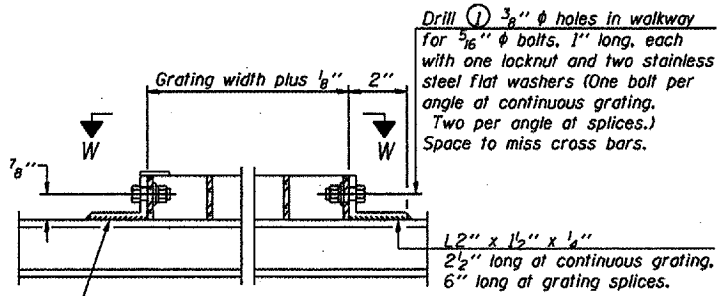
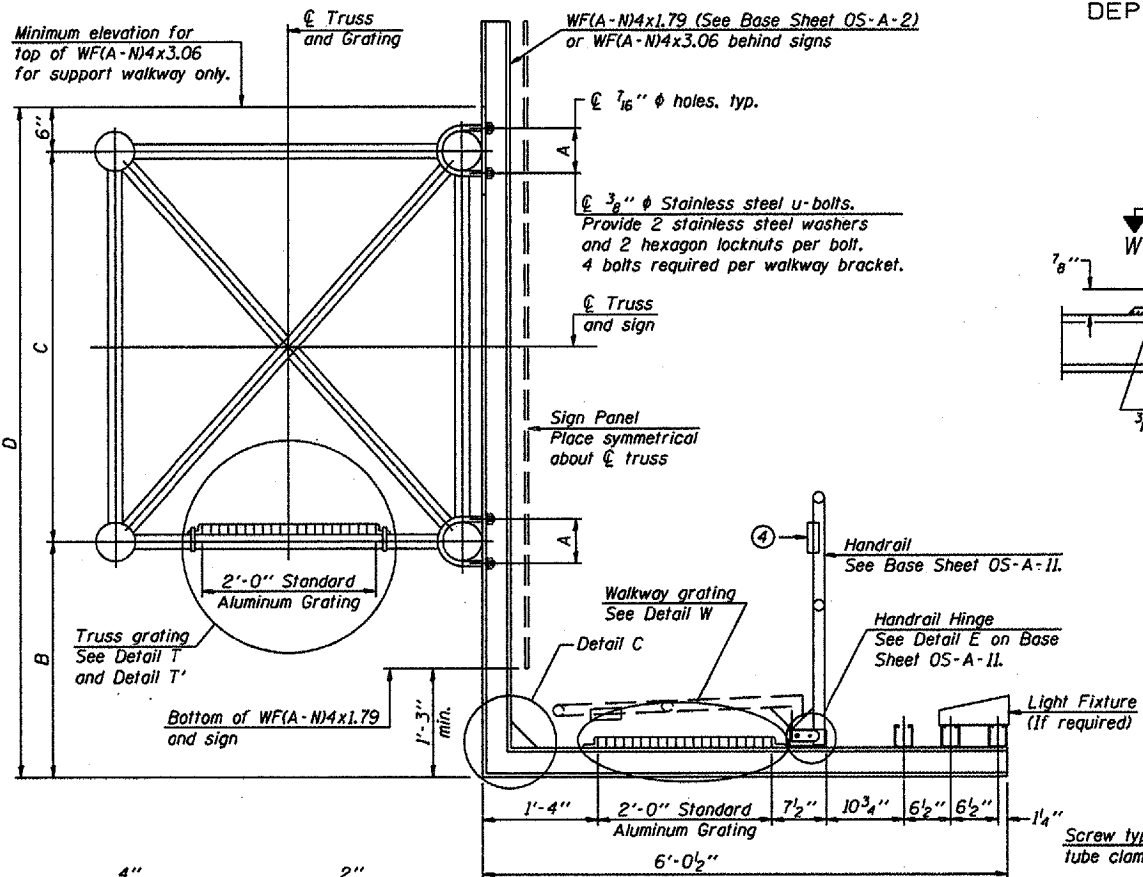
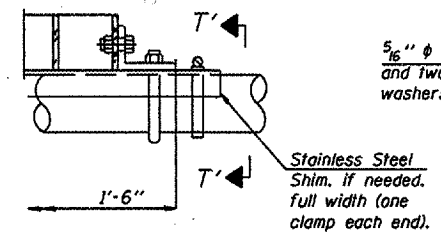


STATE OF ILLINOIS
DEPARTMENT OF TRANSPORTATION

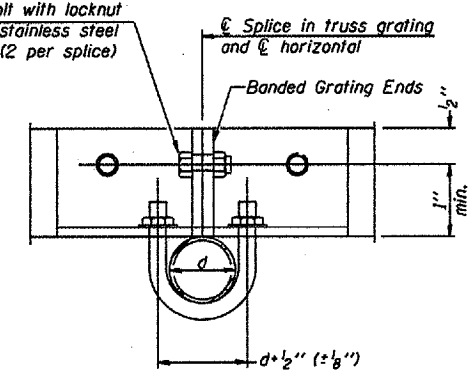
Various Routes
OVD SIN STR REP & REPL 2006-9
Various Counties
Sheet 38 of 89
Contract Number 44904



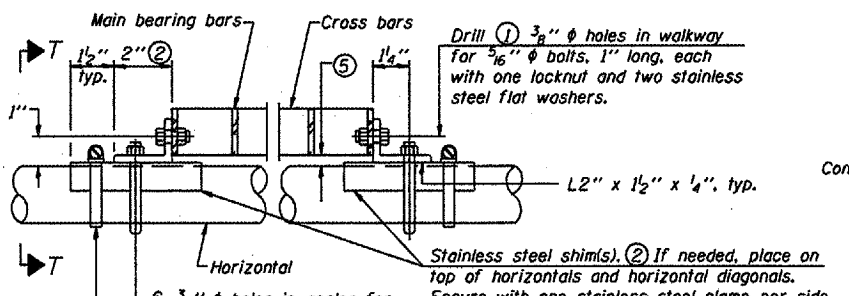
DETAIL W
(Walkway grating)



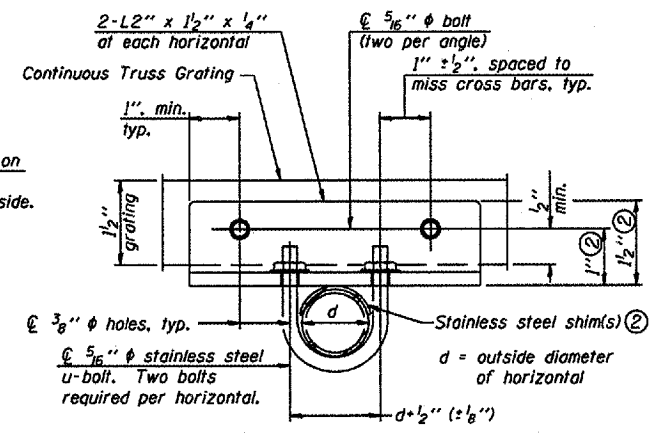
DETAIL T'
(Truss grating splice)
Details not shown same as Detail T. Alternate materials may be used subject to the Engineer's review and approval.



SECTION T'-T'



DETAIL T
(Continuous Truss grating)



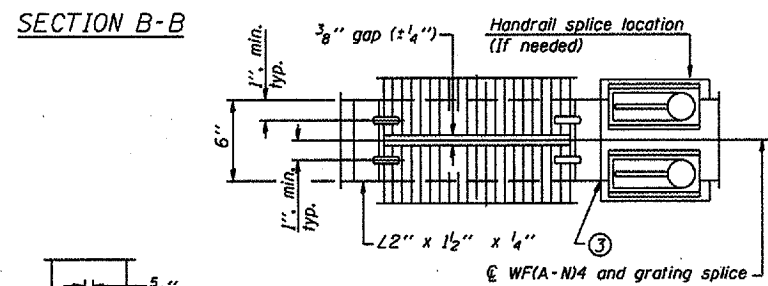
SECTION T-T

SPECIFICATIONS FOR STANDARD ALUMINUM GRATING

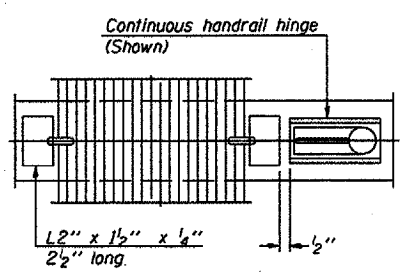
Main Bearing Bars shall be 3/16" x 1 1/2" on 1 3/16" centers and conform to ASTM B221 Alloy 6061-T6.
Cross bars shall be 3/16" x 1 1/2" on 4" centers and conform to ASTM B221 Alloy 6063-T5 or 6061-T6.

OR

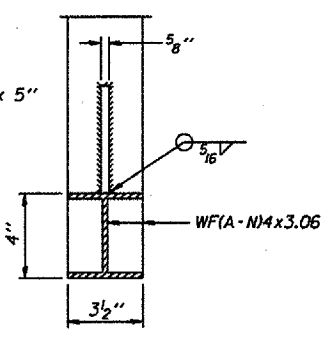
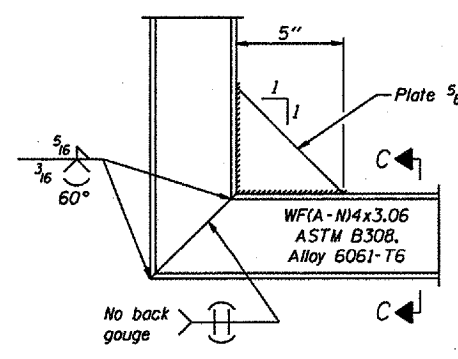
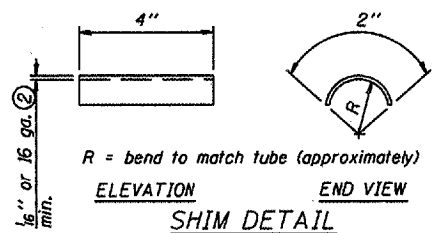
Aluminum Grating with modified "I" sections for main bearing bars shall meet the following requirements:
Main bars shall conform to ASTM B221 Alloy 6061-T6 and have a minimum section modulus equal to 0.0705 in.³ per bar, a depth of 1 1/2", spaced on 1 3/16" centers.
Cross bars shall conform to ASTM B221 Alloy 6063-T5 or T-42 and spaced on 4" centers.



(AT WALKWAY GRATING SPLICE)



(CONTINUOUS WALKWAY GRATING)



DESIGNED		20
CHECKED	EXAMINED	ENGINEER OF BRIDGE DESIGN
DRAWN	PASSED	ENGINEER OF BRIDGES AND STRUCTURES
CHECKED		

NUMBER	REVISION	DATE

Structure Number	Station	A	B	C	D

Existing Walkway and Walkway Support Brackets to be Reused.

OVERHEAD SIGN STRUCTURES
ALUMINUM WALKWAY DETAILS

District 3
Overhead Sign
Structure Replacement