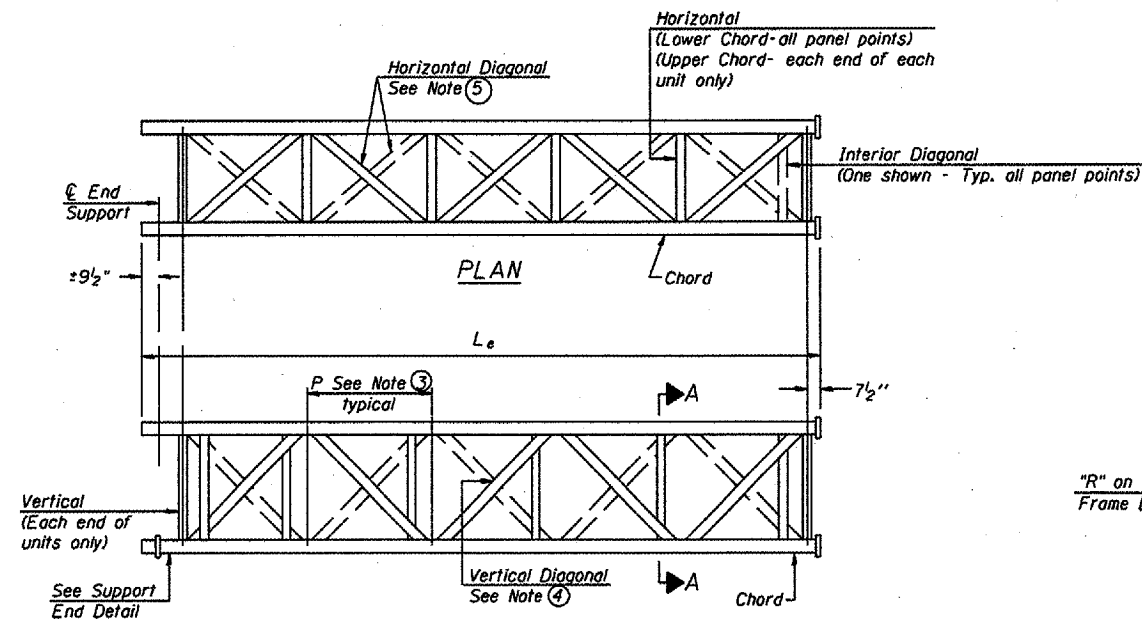
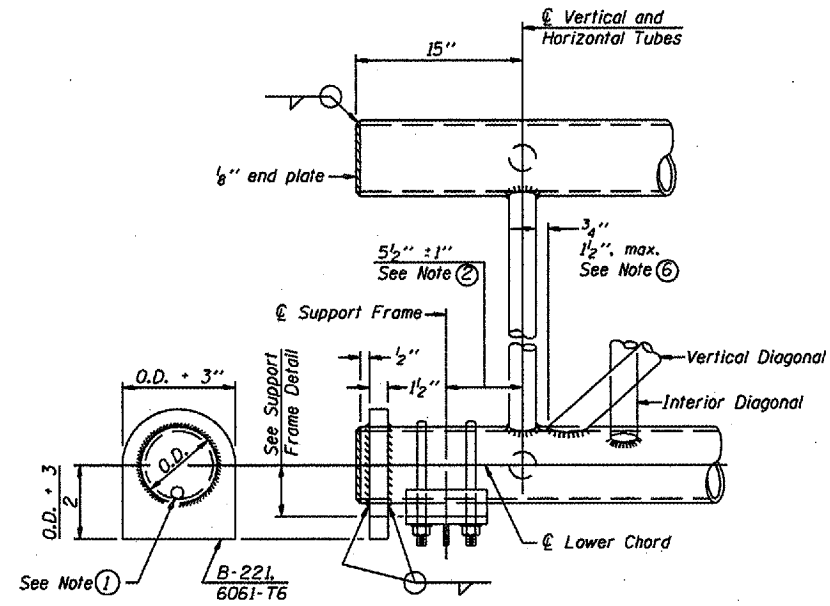


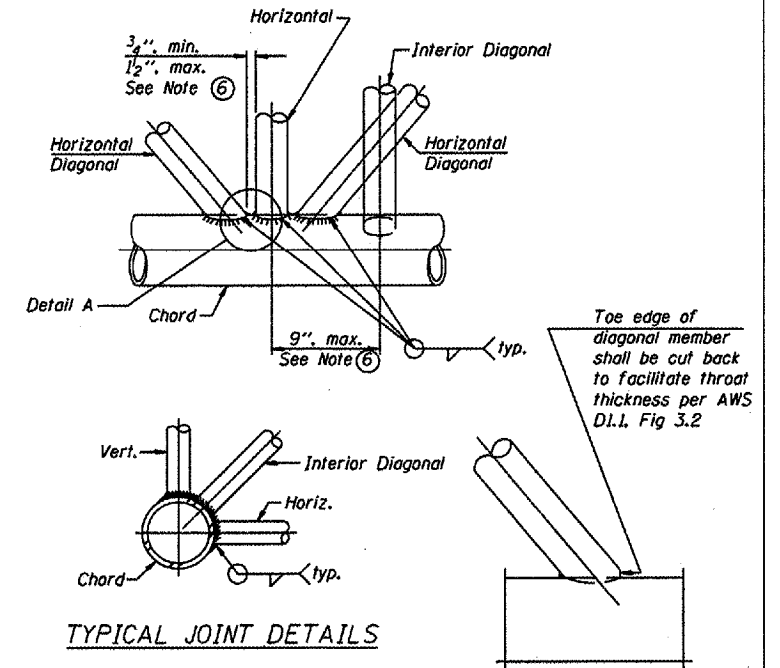
ELEVATION
TYPICAL INTERIOR UNIT
Even number of panels/interior unit required.



ELEVATION
TYPICAL EXTERIOR UNIT
Even or odd number of panels/exterior units allowed.



SUPPORT END DETAIL FOR EXTERIOR UNIT

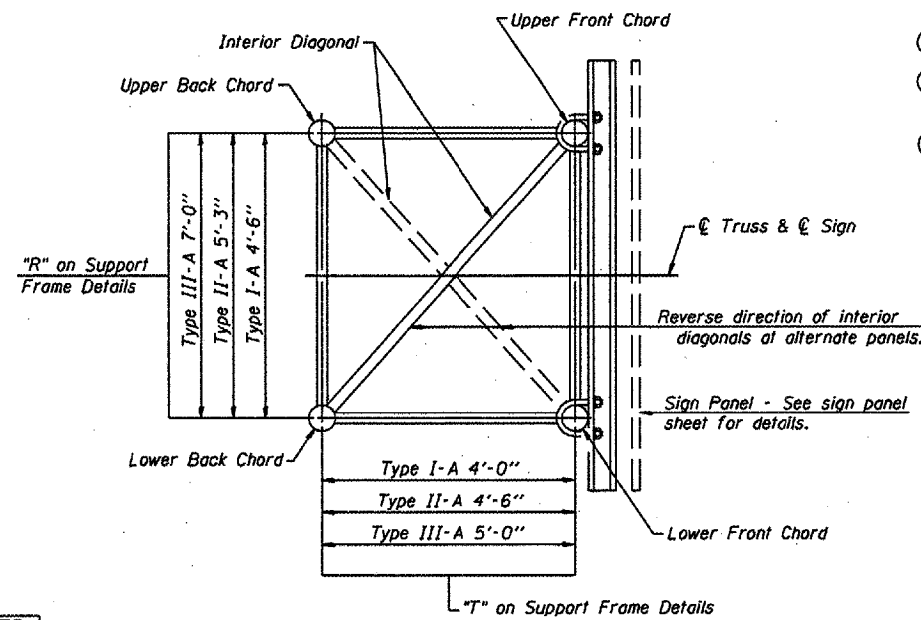


TYPICAL JOINT DETAILS

DETAIL A

NOTES

- ① Contractor may alternatively use standard aluminum drive-fit cap to close end. 1/2" # drain hole in end plate/drive-fit cap. (Typ. at ends of all chords)
- ② 5 1/2" end dimension may vary by ±1" to provide uniform panel spacing (P).
- ③ Panel spacing (P) shall be uniform for entire truss and between 4'-0" and 5'-0" for Type I-A or 4'-0" and 5'-6" for Types II-A and III-A.
- ④ Vertical Diagonals in front and back face shall alternate.
- ⑤ Hidden lines show wind bracing alternates direction between planes of top and bottom chords.
- ⑥ All diagonals shall be detailed for minimum offset from the panel point based on the following: Offset shall be such as to provide a 3/4" minimum to 1 1/2" maximum clearance between any diagonal and any horizontal or vertical member, and to provide clearance for U-bolt connections of signs or walkway brackets.



SECTION A-A

OVERHEAD SIGN STRUCTURES
ALUMINUM TRUSS DETAILS
FOR TRUSS TYPES I-A, II-A and III-A

District 5
Overhead Sign Structure
Repair and Replacement

DESIGNED	20
CHECKED	EXAMINED
DRAWN	PASSED
CHECKED	ENGINEER OF BRIDGES AND STRUCTURES

NUMBER	REVISION	DATE

OS-A-2

1-7-05