

STATE OF ILLINOIS
DEPARTMENT OF TRANSPORTATION

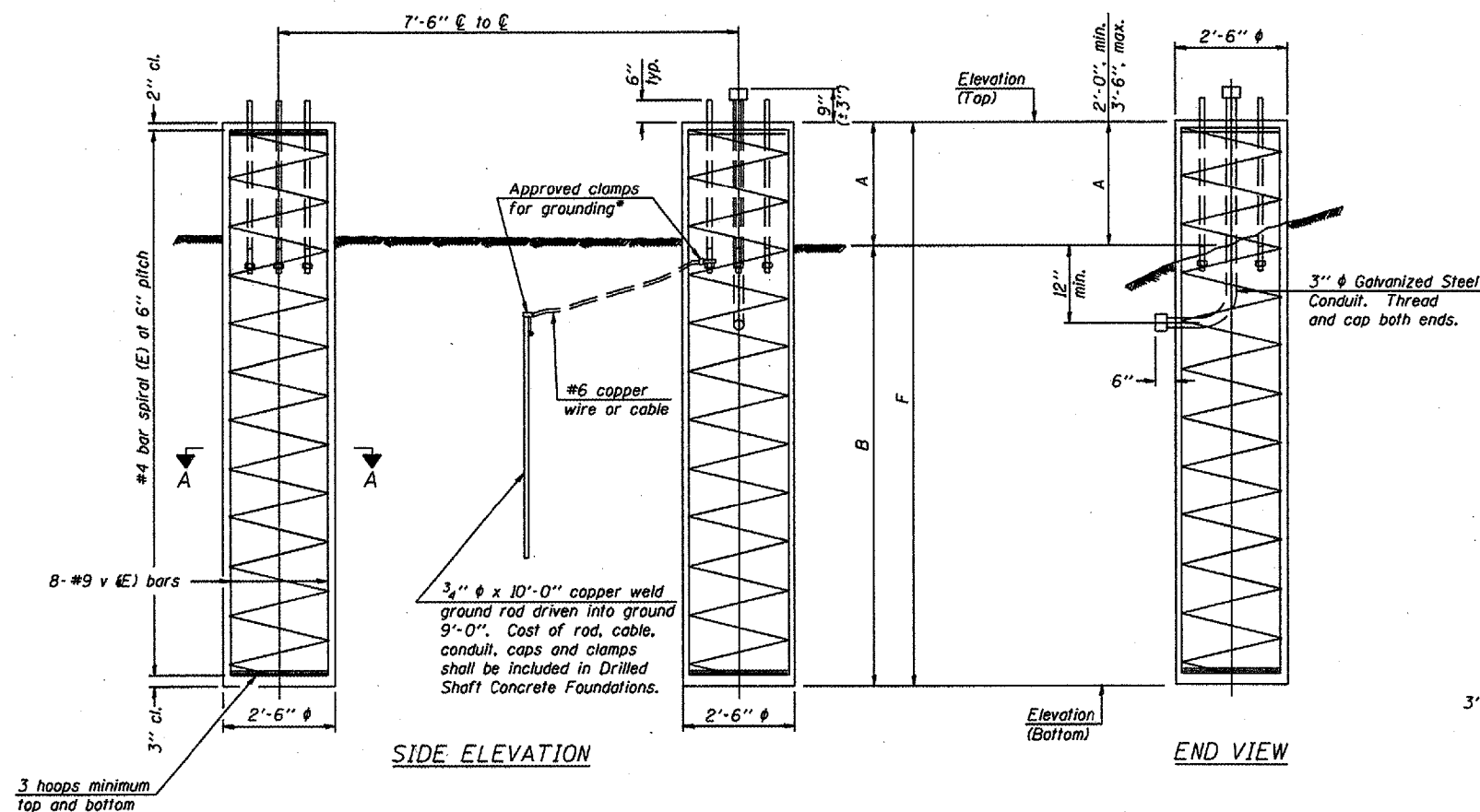
Various Routes
OVD SIN STR REP & REPL 2006-9
Various Counties
Sheet 56 of 89
Contract Number 44904

For anchor rod size and placement,
see Support Frame Detail Sheet.

Anchor rod shall be ground or
filed to bright metal at clamp
and cable connection location.

BAR LIST - EACH FOUNDATION

Bar	Number	Size	Length	Shape
v(E)	16	#9	F less 5"	—
#4 bar spiral (E) - see Side Elevation				



NOTES:

The foundation dimensions shown are based on the presence of mostly cohesive soils with an average Unconfined Compressive Strength (Q_u) of at least 1.25 tsf, which must be determined by previous soil investigations at the jobsite. When other conditions are indicated, the boring data will be included in the plans and the foundation dimensions shown will be the result of site specific designs.

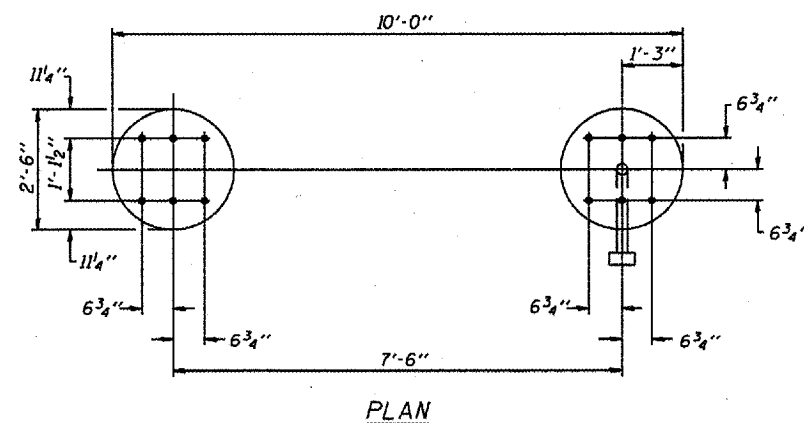
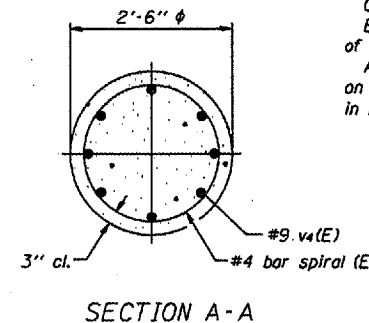
If the conditions encountered are different than those indicated, the Contractor shall notify the Engineer to determine if the foundation dimensions need to be modified. If dimensions "B" or "F" are revised by more than 12" by the Contractor, "as-built" plans shall be prepared and submitted to the District Bureau of Operations for future reference.

No sonotubes or decomposable forms shall be used below the lower conduit entrance. Permanent metal forms or other shielding may not be left in place below that elevation without the Engineer's written permission.

Concrete shall be placed monolithically, without construction joints.

Backfill shall be placed per Article 502 of Standard Specification and prior to erection of support column.

A normal surface finish followed by a Bridge Seat Sealer application will be required on concrete surfaces above the lowest elevation 6" below finished ground line. Cost included in Drilled Shaft Concrete Foundation.



Structure Number	Station	Left Foundation					Right Foundation			Class SI Concrete (Cu. Yds.)		
		Elevation Top	Elevation Bottom	A	B	F	Elevation Top	Elevation Bottom	A		B	F
550101072L182.2	N/A	N/A		3' - 0"	14' - 6"	17' - 6"	N/A		3' - 0"	14' - 6"	17' - 6"	12.70
550101057R239.9	582 + 20	773.87 *		3' - 0"	13' - 6"	16' - 6"	773.87		3' - 0"	13' - 6"	16' - 6"	12.00

*Elevations were taken from existing sign structure details.

The Contractor shall be responsible for staking and laying out the new concrete foundations.

DESIGNED	20
CHECKED	EXAMINED
DRAWN	PASSED
CHECKED	ENGINEER OF BRIDGES AND STRUCTURES

NUMBER	REVISION	DATE

DETAILS FOR 8" ϕ SUPPORT FRAME
TYPE I-A TRUSS

OS4-F2

1-7-05

OVERHEAD SIGN STRUCTURES
DRILLED SHAFT DETAILS

District 5
Overhead Sign Structure
Repair and Replacement