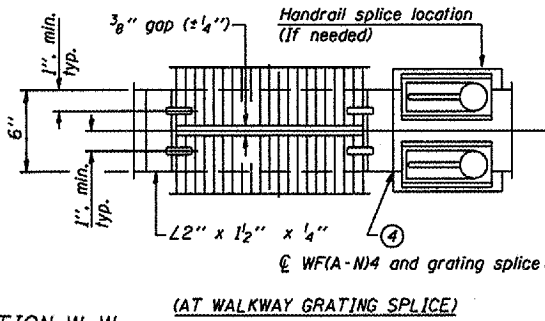
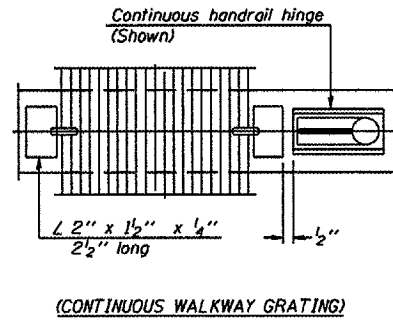
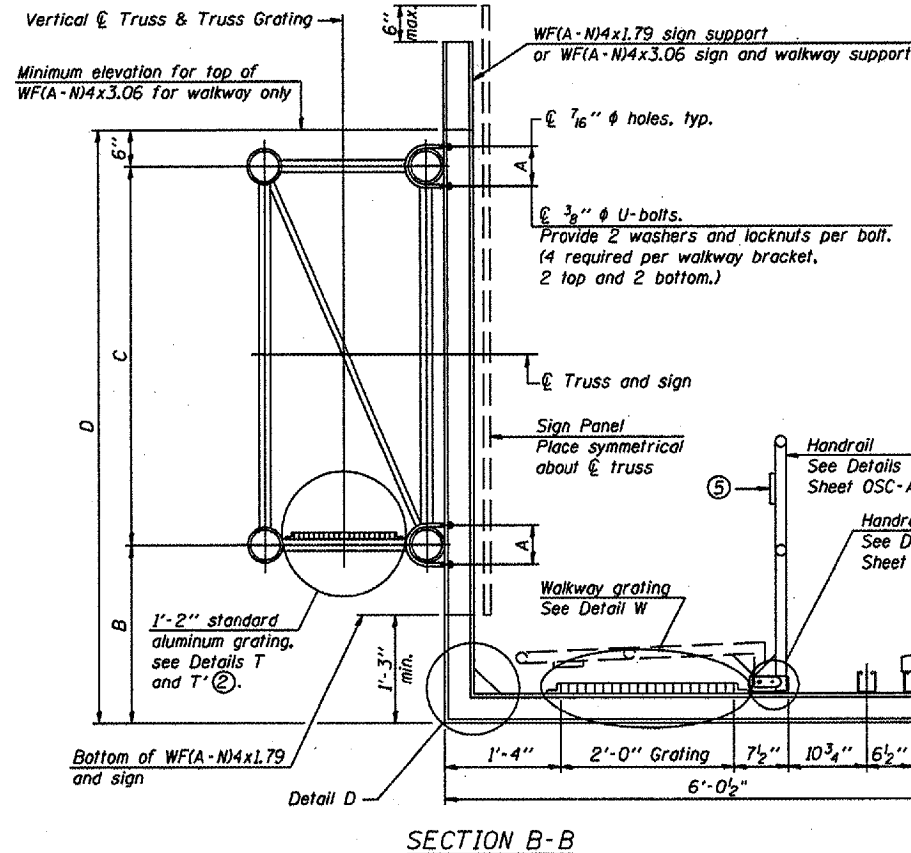


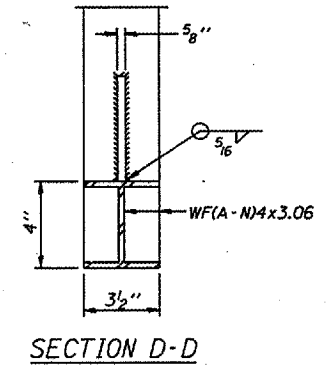
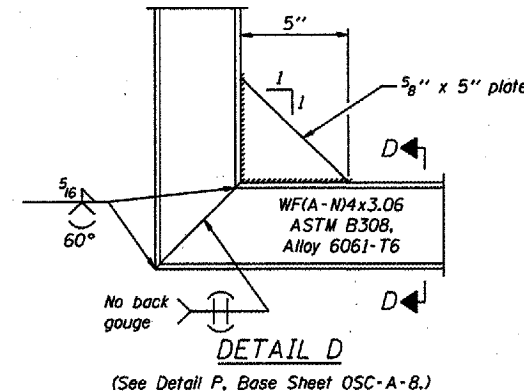
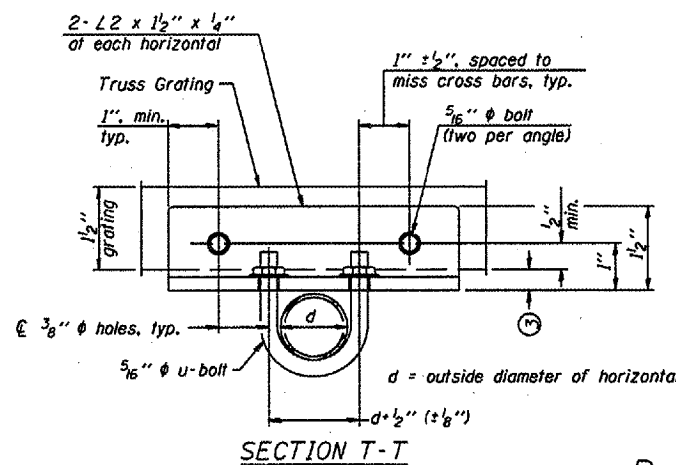
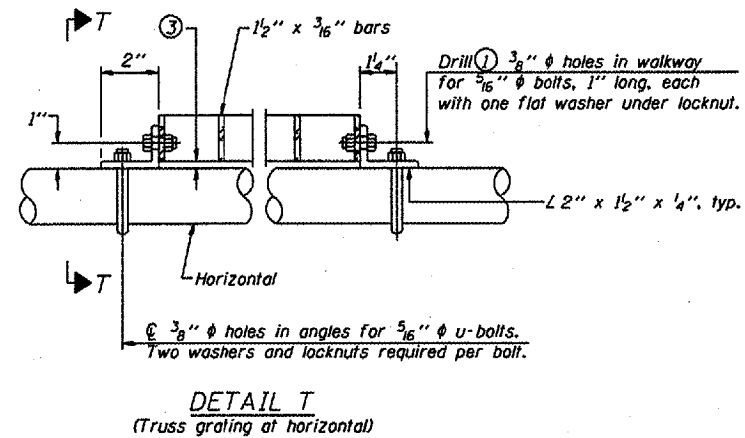
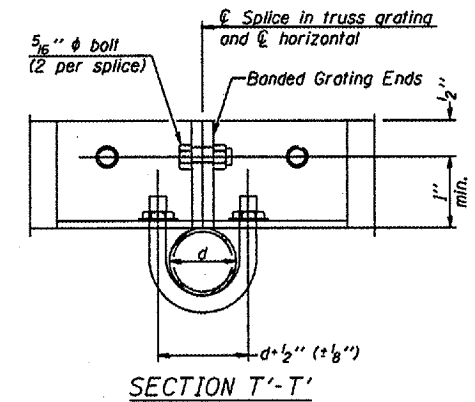
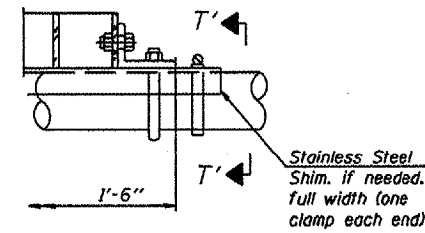
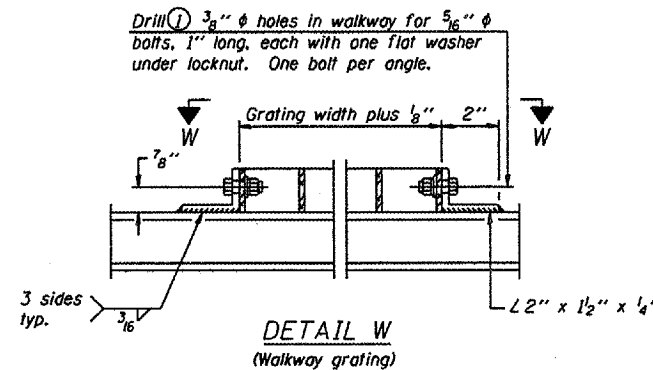
STATE OF ILLINOIS  
DEPARTMENT OF TRANSPORTATION

Various Routes  
OVD SIN STR REP & REPL 2006-9  
Various Counties  
Sheet 73 of 89  
Contract Number 44904



**SPECIFICATIONS FOR STANDARD ALUMINUM GRATING**  
Main Bearing Bars (MBB) shall be 3/16" x 1 1/2" on 1 3/16" centers and conform to ASTM B211 Alloy 6061-T6.  
Cross bars (CB) shall be 3/16" x 1 1/2" on 4" centers and conform to ASTM B221 Alloy 6063-T5 or 6061-T6.

OR  
Aluminum Grating with modified "T" sections for main bearing bars shall meet the following requirements:  
Main bars shall conform to ASTM B221 Alloy 6061-T6 and have a minimum section modulus equal to 0.0705 in.<sup>3</sup> per bar, a depth of 1 1/2", spaced on 1 3/16" centers.  
Cross bars shall conform to ASTM B221 Alloy 6063-T5 or T-42 and spaced on 4" centers.



NUMBER	REVISION	DATE

DESIGNED - \_\_\_\_\_ 20  
CHECKED - \_\_\_\_\_  
DRAWN - \_\_\_\_\_  
CHECKED - \_\_\_\_\_  
EXAMINED - \_\_\_\_\_ ENGINEER OF BRIDGE DESIGN  
PASSED - \_\_\_\_\_ CHIEF OF BRIDGES AND STRUCTURES  
OSC-A-7 1-7-05

- Drilling holes in grating may be done in shop or field, based on Contractor's preference and subject to accurate alignment.
- When truss grating must be spliced, use suggested detail or other methods subject to the Engineer's review and approval. Locate splice to avoid interference between cross bars and bolt locations.
- Tube to grating gap may vary from 0 to 1/2", max. to align walkway, allow for camber, etc.
- If Handrail Joint present, weld angle to WFA-N4 and 1/4" extension bars. (See Base Sheet OSC-A-B)
- $\phi$  1/8" x 1/2" x 2" welded to handrail posts to protect locations that contact grating.

Reuse Existing Walkway Support Brackets

Structure Number	Station	A	B	C	D

CANTILEVER SIGN STRUCTURES  
WALKWAY DETAILS  
ALUMINUM TRUSS & STEEL POST  
  
District 7  
Overhead Sign Structure  
Repair and Replacement