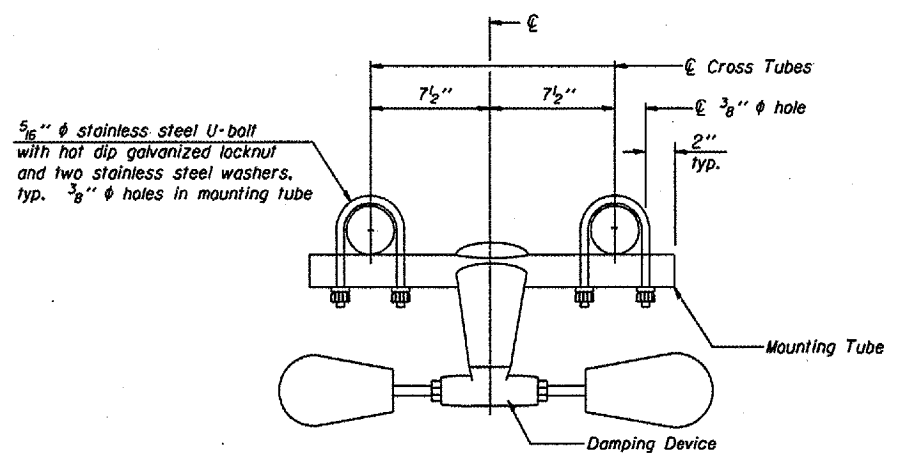
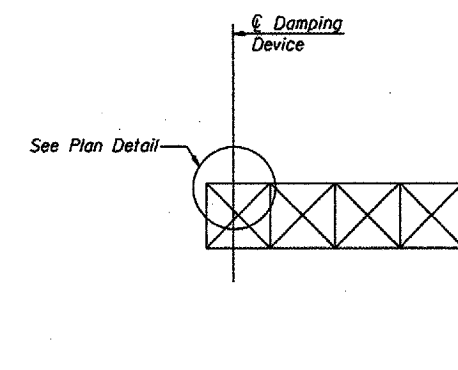


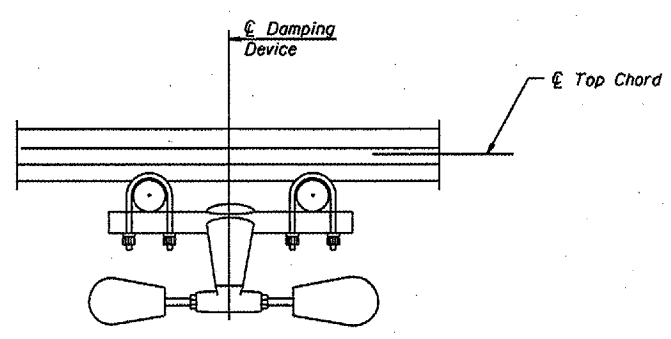
PLAN DETAIL



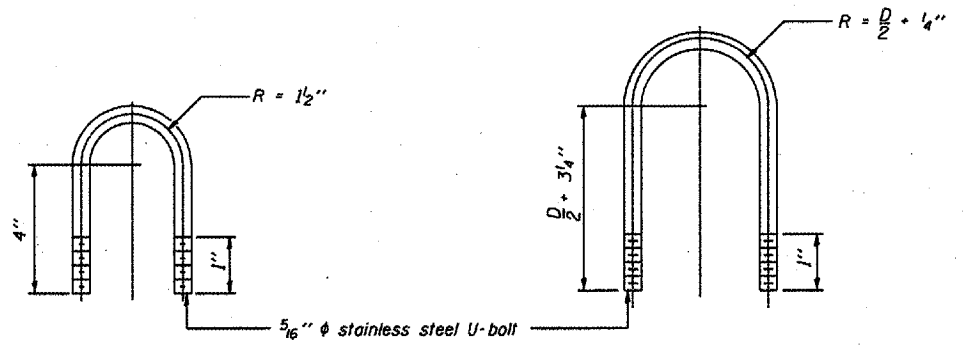
TRUSS DAMPING
DEVICE CONNECTION DETAIL



ELEVATION
Aluminum Cantilever
Sign Structure



SECTION A-A



DAMPING DEVICE MOUNTING
TUBE U-BOLT DETAIL
(Typical)

TOP CHORD TO CROSS TUBE
U-BOLT DETAIL
(Typical)

GENERAL NOTES

- Damper: One damper per truss. (31 lbs. Stockbridge-Type Aluminum)
- Materials: Aluminum tubes shall be ASTM B221 alloy 6061 temper T6

CANTILEVER SIGN STRUCTURE
DAMPING DEVICE

District 7
Overhead Sign Structure
Repair and Replacement

| | |
|----------|------------------------------------|
| DESIGNED | 20 |
| CHECKED | EXAMINED |
| DRAWN | PASSED |
| CHECKED | ENGINEER OF BRIDGES AND STRUCTURES |