

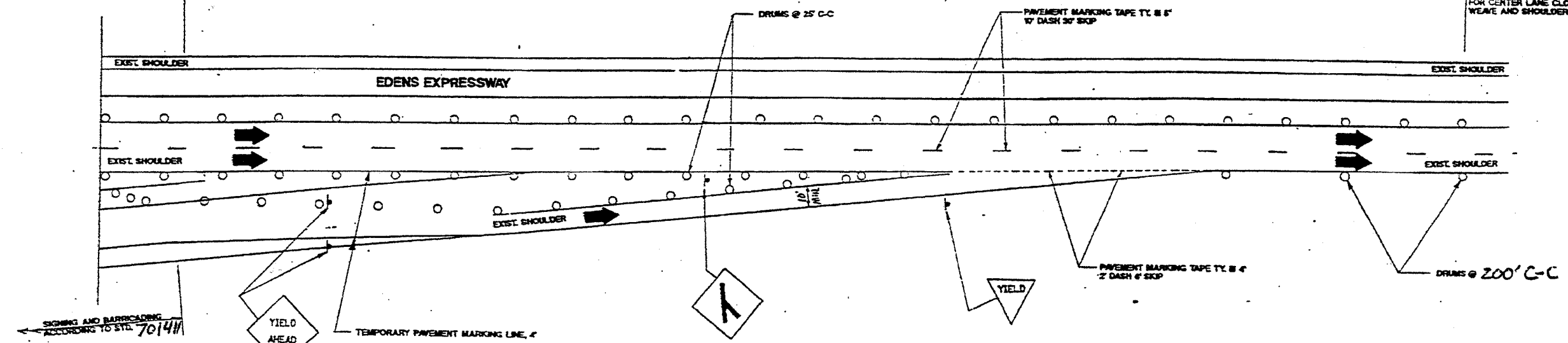
60808

SECTION	COUNTY	TOTAL SHEETS	SHEET NO.
94	COOL	19	13
STA.	TO STA.	PROJECT NO.	
		** 2005-087CR-PP	

SIGNING, BARRICADING AND STRIPING ACCORDING TO TRAFFIC CONTROL DETAILS FOR CENTER LANE CLOSURE, MULTI LANE WEAVE AND SHOULDER LANE

NOTE:
-REMOVE GORE MARKING
-REMOVE EXIST. EDGE LINE

SIGNING, BARRICADING AND STRIPING ACCORDING TO TRAFFIC CONTROL DETAILS FOR CENTER LANE CLOSURE, MULTI LANE WEAVE AND SHOULDER LANE

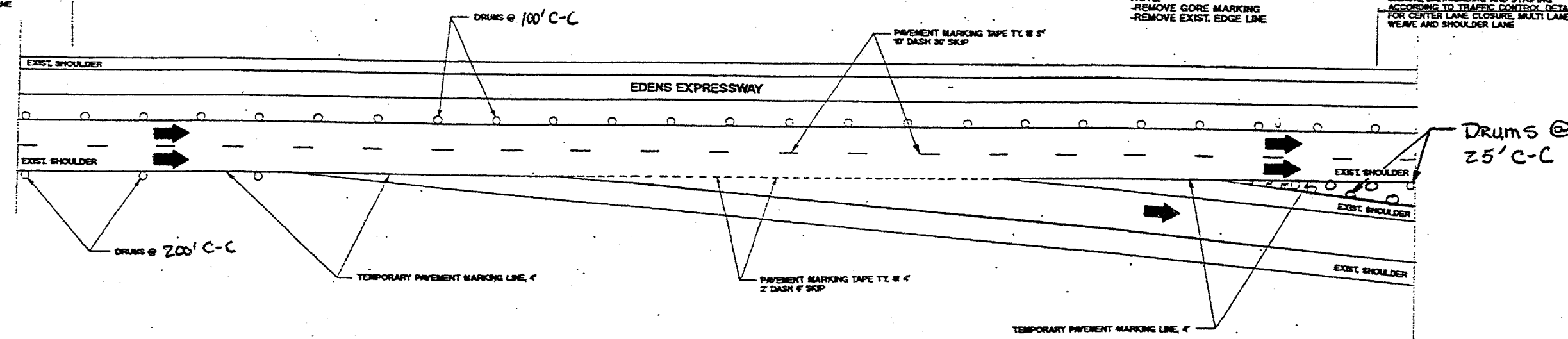


TRAFFIC CONTROL DETAIL FOR TYPICAL ENTRANCE RAMP WITH CENTER LANE CLOSURE AND SHOULDER LANE

SIGNING, BARRICADING AND STRIPING ACCORDING TO TRAFFIC CONTROL DETAILS FOR CENTER LANE CLOSURE, MULTI LANE WEAVE AND SHOULDER LANE

NOTE:
-REMOVE GORE MARKING
-REMOVE EXIST. EDGE LINE

SIGNING, BARRICADING AND STRIPING ACCORDING TO TRAFFIC CONTROL DETAILS FOR CENTER LANE CLOSURE, MULTI LANE WEAVE AND SHOULDER LANE



TRAFFIC CONTROL DETAIL FOR TYPICAL EXIT RAMP WITH CENTER LANE CLOSURE AND SHOULDER LANE

REVISIONS	
NAME	DATE

ILLINOIS DEPARTMENT OF TRANSPORTATION
TRAFFIC CONTROL DETAIL FOR TYPICAL EXIT AND ENTRANCE RAMPS WITH CENTER LANE CLOSURE AND SHOULDER LANE
SCALE: VERT. _____
HORIZ. _____
DATE _____
DRAWN BY _____
DESIGNED BY _____
CHECKED BY _____