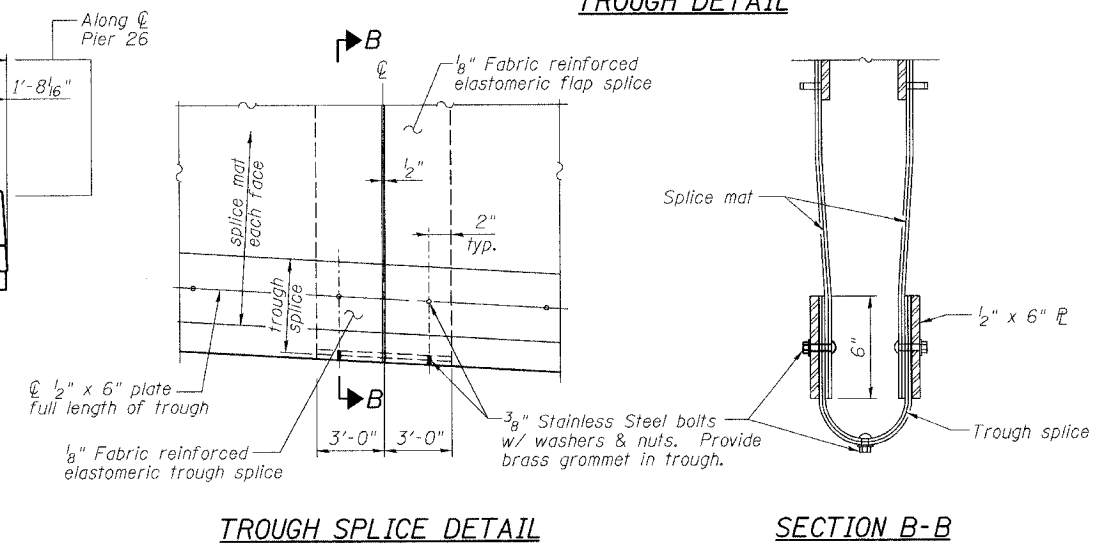
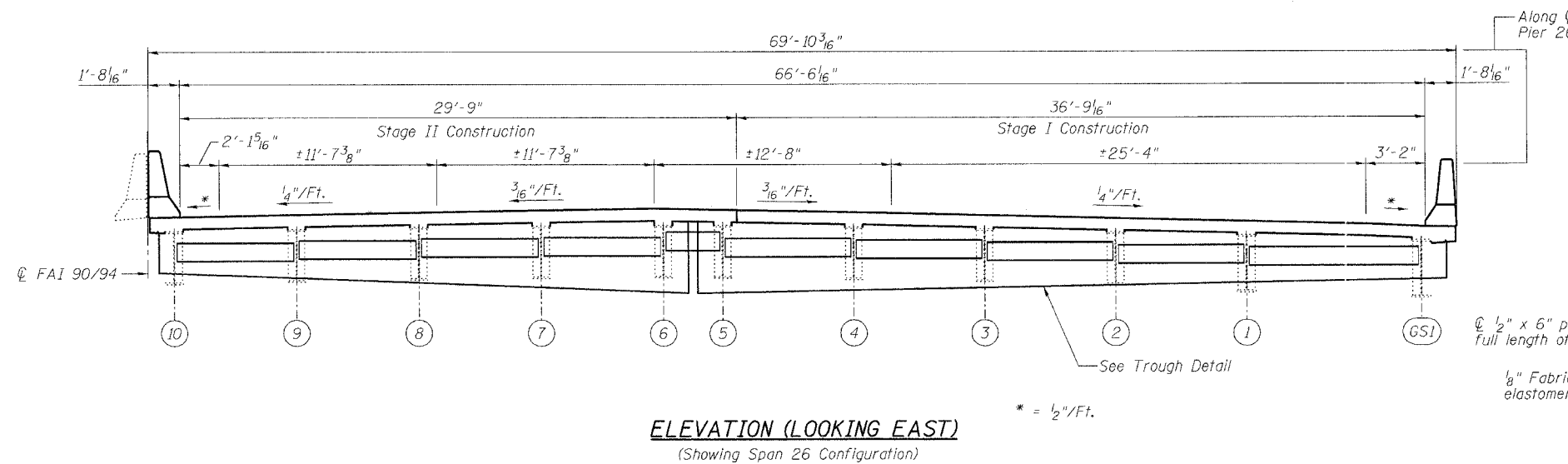
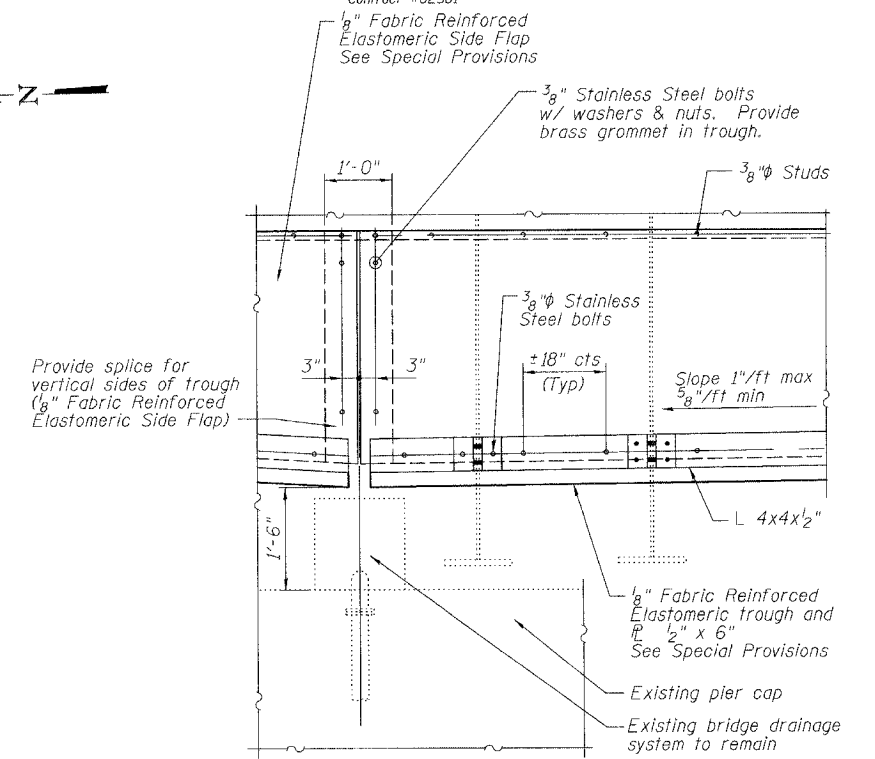
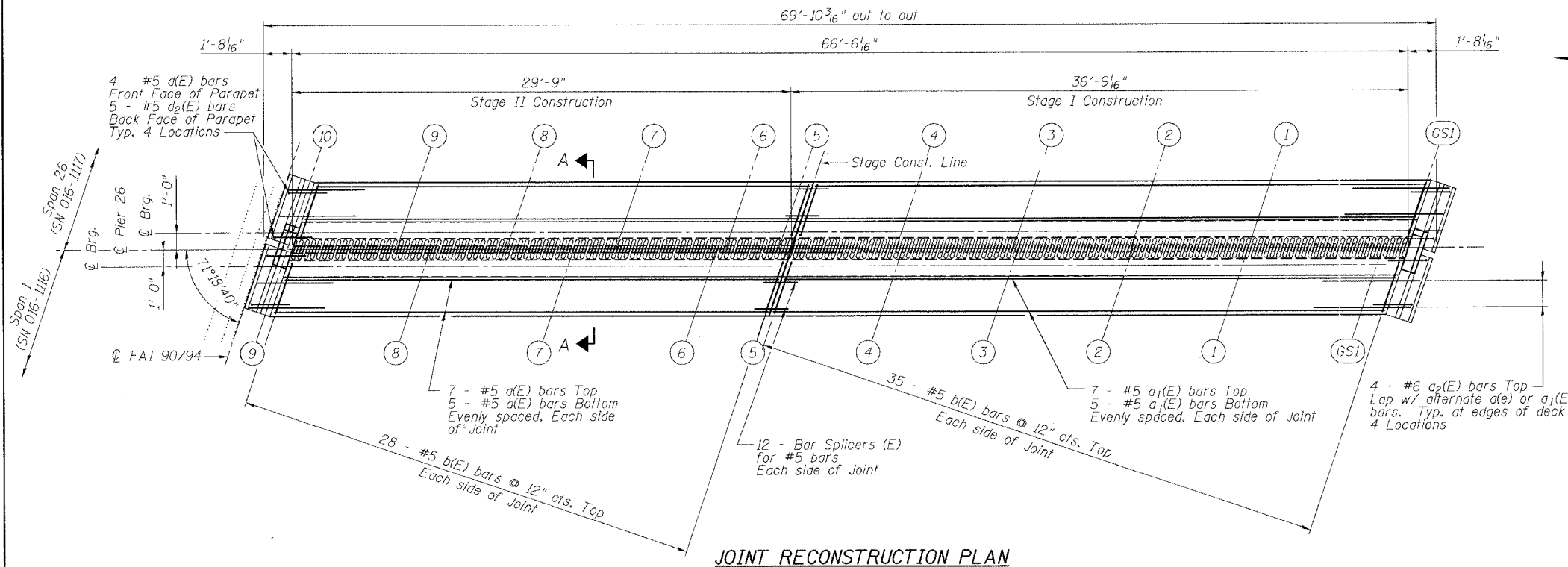


STATE OF ILLINOIS
DEPARTMENT OF TRANSPORTATION

ROUTE NO.	SECTION	COUNTY	POST MILES	SHEET NO.	SHEET NO. 3
FAI 90/94	*	COOK	344	255	8 SHEETS
FED. ROAD DIST. NO.	ILLINOIS	FED. AID PROJECT			

* 2003-029T
Contract #62581



Notes:

1. For Parapet Details and Superstructure Bill of Material, see Sheet 5 of 9.
2. For Section A-A, see Sheet 4 of 9.
3. Deck cross slopes shown are at right angles to @ Rdwy.

REVISIONS	
NAME	DATE

ILLINOIS DEPARTMENT OF TRANSPORTATION
PIER 26 JOINT DETAILS
F.A.I. ROUTE 90/94 SOUTHBOUND (DAN RYAN EXPRESSWAY)
OVER 28th ST. TO S. STEWART ST.
COOK COUNTY
S.N. 016-1117 - PIER 26

SCALE: VERT.
HORIZ.
DATE: 4/1/05

DRAWN BY: HEBERLING
DESIGNED BY: SANFORD
CHECKED BY: MATHUR

GREENE & BRADFORD, INC.
OF SPRINGFIELD
REGISTERED PROFESSIONAL ENGINEERS
PROFESSIONAL ENGINEERING FIRM NO. 02089
PROFESSIONAL SURVEYING FIRM NO. 02089
COM 703-8844, FAX 703-8277, WWW: www.greenegbradford.com

COMPUTER FILE NO.
04286-W03-SB-PJ1
PROJECT 04286-W03
5/15/06-MML