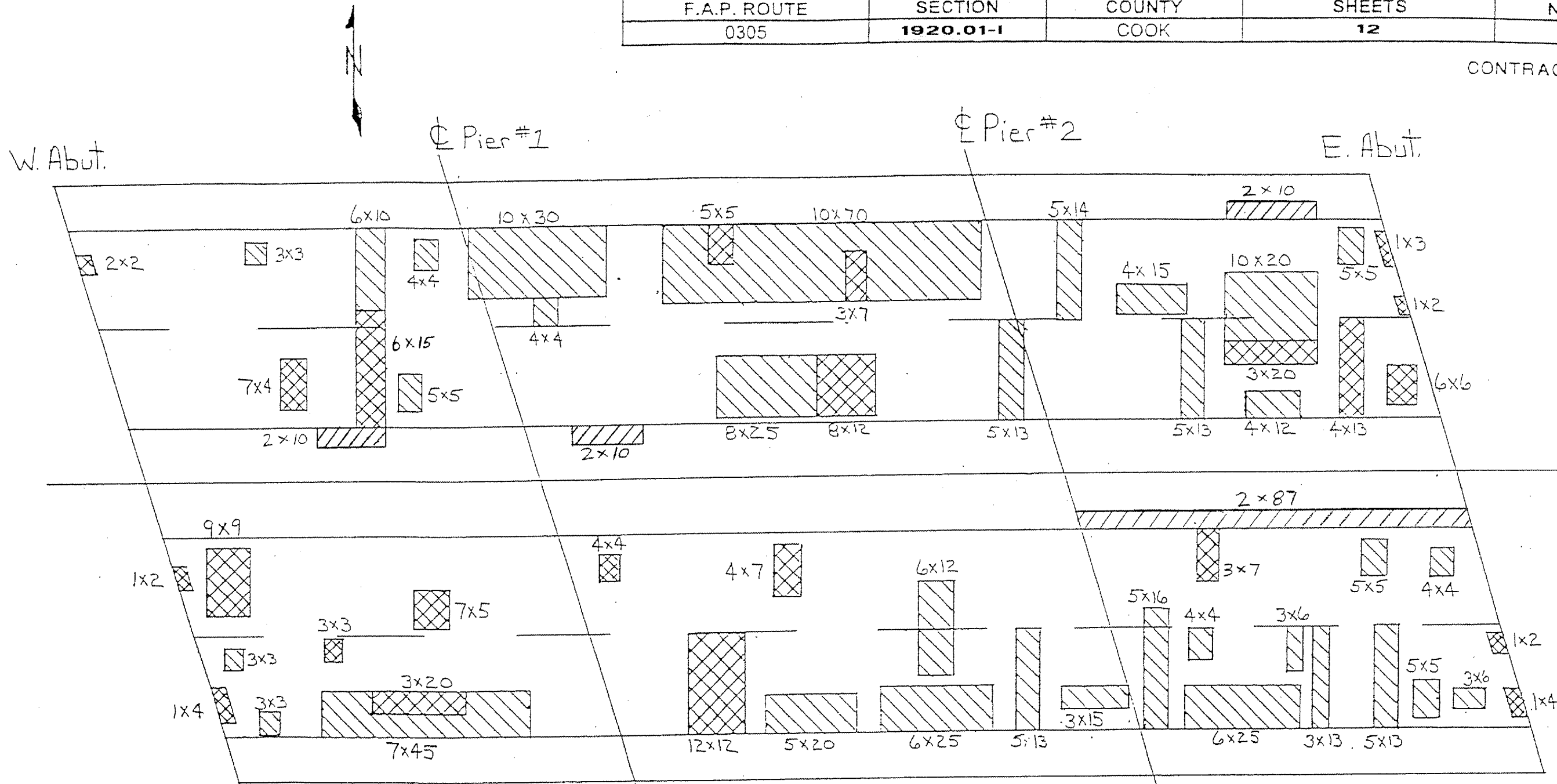
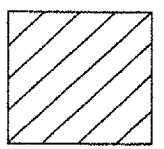
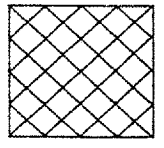
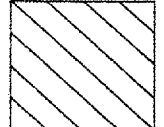


F.A.P. ROUTE	SECTION	COUNTY	TOTAL SHEETS	SHEET NUMBER
0305	1920.01-1	COOK	12	9

CONTRACT 62772



-  CURB REMOVAL & REPLACE (STRUCTURAL REPAIR OF CONCRETE ≤ 5")
-  DECK SLAB REPAIR (FULL DEPTH)
-  DECK SLAB REPAIR (PARTIAL DEPTH)

Sidewalk and median curb repairs at various locations shall be done using formed concrete repair (less than or equal to 5 inches).  
Locations to be determined in the field by the Engineer.

Areas of deck repairs shown are estimated. The Engineer shall show actual locations of deck repairs on As-Built Plans.

ILLINOIS DEPARTMENT OF TRANSPORTATION  
**DECK SLAB  
REPAIR LOCATIONS**

DATE OF SURVEY: MARCH 2006