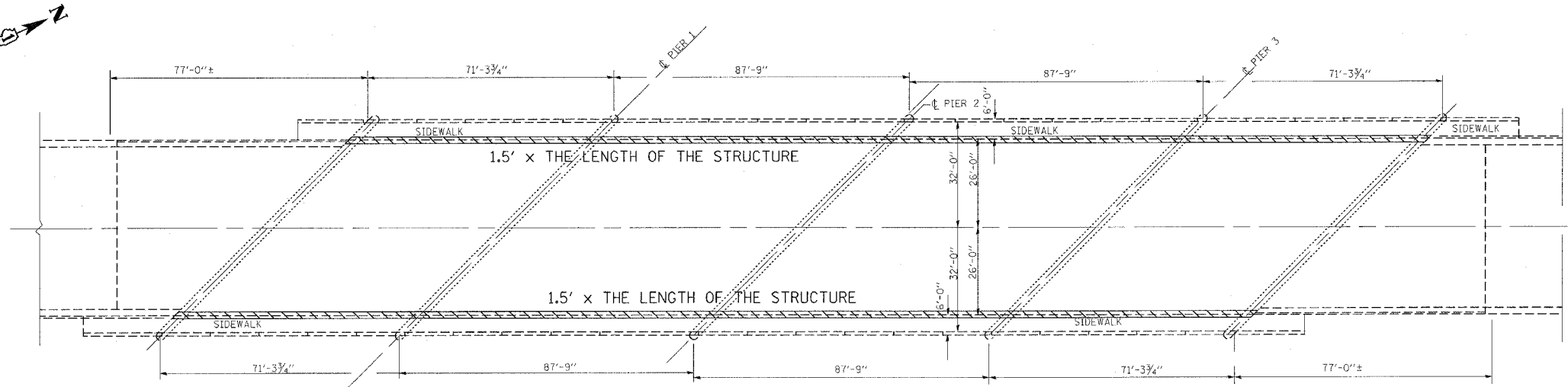


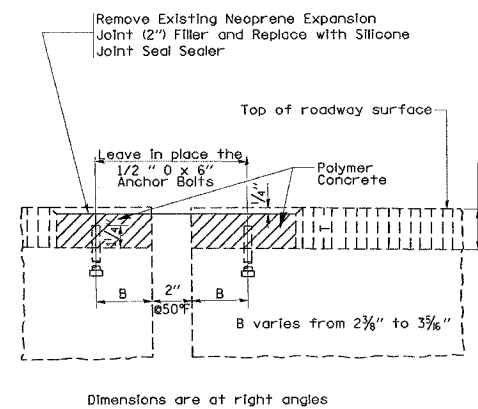
F.A.U. RTE.	SECTION	COUNTY	TOTAL SHEETS	SHEET NO.
3520	2005-001 RS	COOK	37	16
STA.		TO STA.		
FED. ROAD DIST. NO. 1		ILLINOIS	FED. AID PROJECT	
CONTRACT NO. 62903				



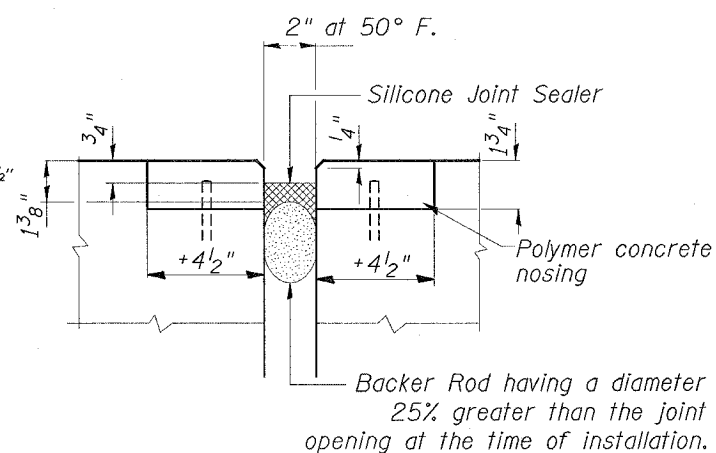
DECK PLAN FOR STRUCTURAL REPAIR OF CONCRETE

LEGEND

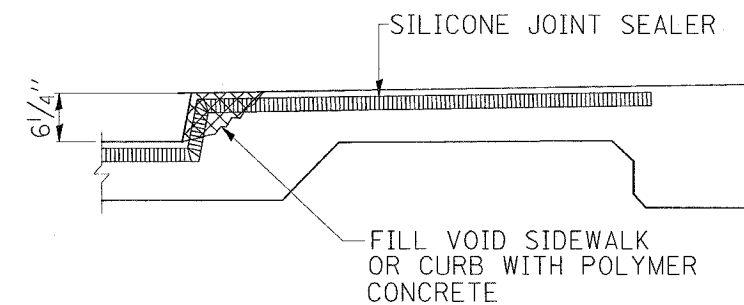
STRUCTURAL REPAIR OF CONCRETE (DEPTH > 5')



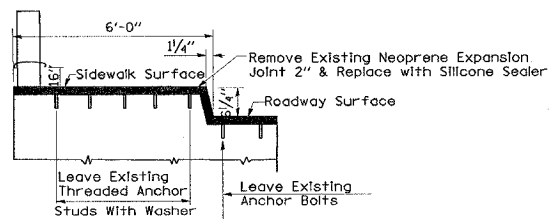
EXISTING NEOPRENE EXPANSION JOINT (2") FILLER (TYPICAL)



**DETAIL A
SILICONE JOINT SEALER DETAIL**



**TYPICAL END OF SEAL TREATMENT
WHEN REPLACING NEOPRENE JOINT**



**EXISTING NEOPRENE EXPANSION JOINT (2") FILLER
AT SIDEWALK (TYPICAL)**

SUMMARY OF QUANTITIES

DESCRIPTION	UNIT	QUANTITY
STRUCTURAL REPAIR OF CONCRETE (DEPTH > 5')	SQ.FT.	970
POLYMER CONCRETE	CU. FT.	20

REVISIONS	
NAME	DATE

ILLINOIS DEPARTMENT OF TRANSPORTATION
GROSS POINT ROAD OVER I-94
FORMED CONCRETE REPAIR
AND JOINT REPAIR DETAILS
S.N 016-0725

SCALE: VERT. 1" = 20'
HORIZ. 1" = 20'
DATE: MAY, 2005

DRAWN BY
CHECKED BY: RSS

DISTRICT ONE - DESIGN / PLAN PREPARATION ENGINEER JOHN FORTMANN / RUSS SINHA (847) 705-4209 / ATTENTION MARK V. TINIAKOS (847) 705-4266