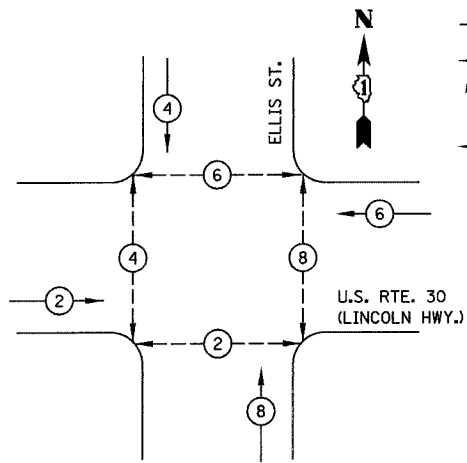


F.A.P. RTE.	SECTION	COUNTY	TOTAL SHEETS	SHEET NO.
353	2005-004 TS	COOK	20	15
STA. 210+93		TO STA. 255+93		
FED. ROAD DIST. NO. 7		ILLINOIS FED. AID PROJECT		
CONTRACT NO. 62908				

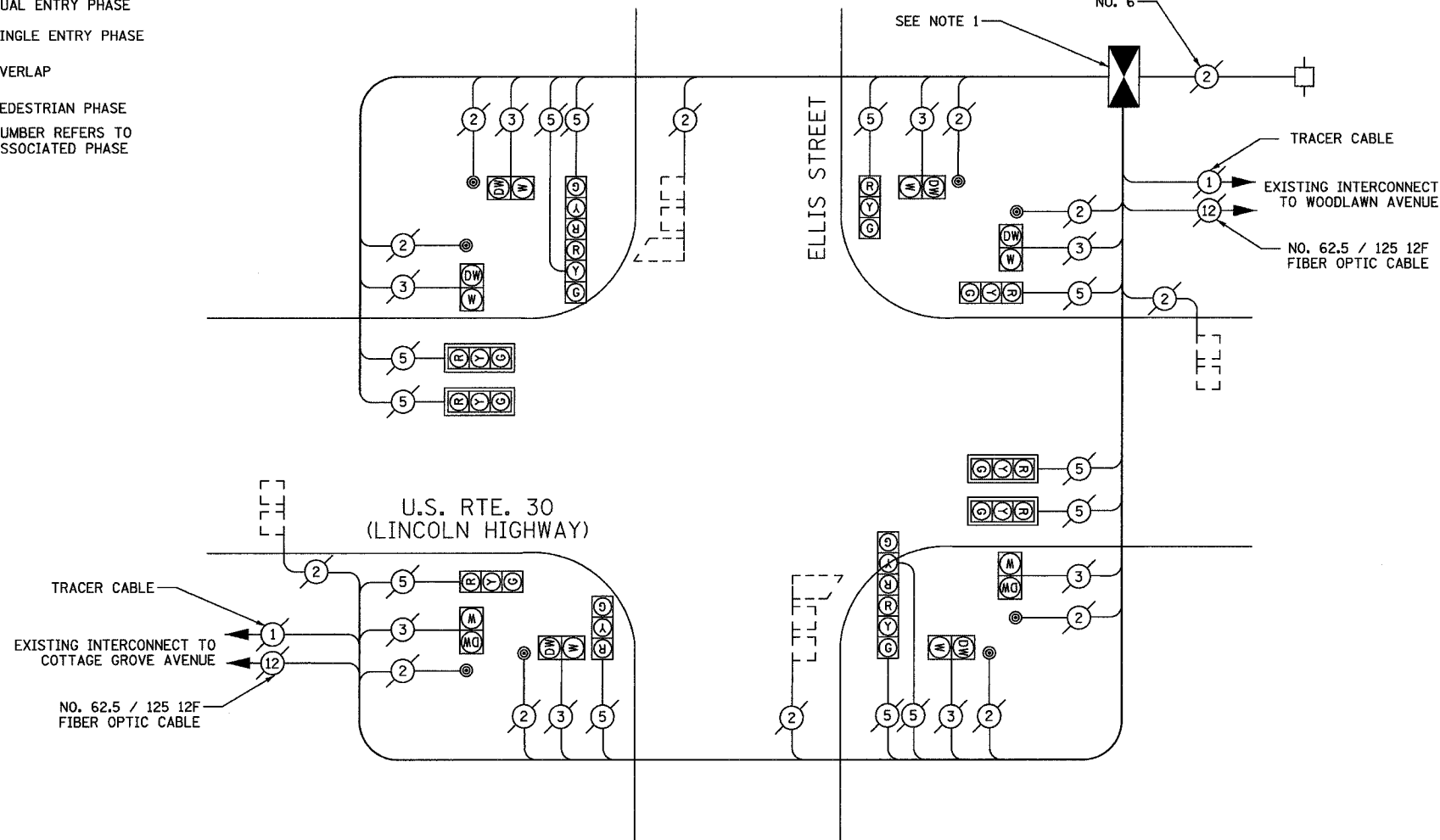
CONTROLLER SEQUENCE



PHASE DESIGNATION DIAGRAM

LEGEND

- DUAL ENTRY PHASE
- SINGLE ENTRY PHASE
- OVERLAP
- PEDESTRIAN PHASE
- NUMBER REFERS TO ASSOCIATED PHASE



CABLE PLAN
NOT TO SCALE

CABLE PLAN LEGEND

- | EXISTING | PROPOSED | DESCRIPTION |
|----------|----------|---|
| | | 8" (200mm) TRAFFIC SIGNAL SECTION |
| | | 12" (300mm) TRAFFIC SIGNAL SECTION |
| | | 12" (300mm) PEDESTRIAN SIGNAL SECTION |
| | | 12" (300mm) PEDESTRIAN SIGNAL SECTION |
| | | CONTROLLER CABINET |
| | | SERVICE INSTALLATION |
| | | TELEPHONE CONNECTION |
| | | MAGNETIC DETECTOR |
| | | EMERGENCY VEHICLE LIGHT DETECTOR |
| | | CONFIRMATION BEACON |
| | | PUSHBUTTON DETECTOR |
| | | VEHICLE DETECTOR, INDUCTION LOOP |
| | | MICROWAVE VEHICLE SENSOR |
| | | SIGNAL FACE WITH BACKPLATE, "P" INDICATES PROGRAMMED HEAD |
| | | RAILROAD CONTROL CABINET |
| | | ILLUMINATED SIGN "NO LEFT TURN" |
| | | ILLUMINATED SIGN "NO RIGHT TURN" |
| | | GROUND ROD AT HANDHOLE (H), DOUBLE HANDHOLE (H), OR CONTROLLER (C). |
| | | GROUND ROD AT POST (P), OR MAST ARM POLE (MA). |
| | | GROUND ROD AT ELECTRIC SERVICE INSTALLATION |
| | | GROUND CABLE IN CONDUIT NO. 6 SOLID COPPER (GREEN) |
| | | FIBER OPTIC CABLE IN CONDUIT NO. 62.5/125 2-MM12F SM12F |

SCHEDULE OF QUANTITIES

QUANTITY	UNIT	PAY ITEM
0.25	L SUM	TRAFFIC CONTROL AND PROTECTION, STANDARD 701426
0.25	L SUM	TRAFFIC CONTROL AND PROTECTION, STANDARD 701601
0.25	L SUM	TRAFFIC CONTROL AND PROTECTION, STANDARD 701701
0.25	L SUM	TRAFFIC CONTROL AND PROTECTION, STANDARD 701801
1	EACH	MAINTENANCE OF EXISTING TRAFFIC SIGNAL INSTALLATION
1	EACH	FULL-ACTUATED CONTROLLER AND TYPE IV CABINET
1	EACH	TRANSCEIVER - FIBER OPTIC
4	EACH	INDUCTIVE LOOP DETECTOR
1	EACH	REMOVE EXISTING TRAFFIC SIGNAL EQUIPMENT

I.D.O.T. TRAFFIC SIGNAL INSTALLATION ELECTRICAL SERVICE REQUIREMENTS					TOTAL WATTAGE
TYPE	NO. LAMPS	WATTAGE		% OPERATION	
SIGNAL (RED)	12	135	17	0.50	810
(YELLOW)	12	135	25	0.25	405
(GREEN)	12	135	15	0.25	405
ARROW		135	12	0.10	
PED SIGNAL	8	90	25	1.00	720
CONTROLLER	1	100	100	1.00	100
ILLUM. SIGN		84		0.05	
FLASHER				0.50	
TOTAL =					2440

ENERGY COSTS TO: ILLINOIS DEPARTMENT OF TRANSPORTATION
201 W. CENTER CT.
SCHAUMBURG, IL 60196

ENERGY SUPPLY: CONTACT: PHIL GASTON
PHONE: (708) 235-2338
COMPANY: COMMONWEALTH EDISON

FOUNDATION (DEPTH)	FT. (m)	CABLE SLACK	FT. (m)	VERTICAL	FT. (m)
TYPE A - POST	4 (1.2)	HANDHOLE	6.5 (2.0)	ALL FOUNDATIONS	3.5 (2.0)
D- CONTROLLER	4 (1.2)	DOUBLE HANDHOLE	13 (4.0)	MAST ARM (L) POLE	20'+L-2=
E- M. ARM POLE		SIGNAL POST	2 (0.6)	(6m+L-0.6m)=	
24" (600mm)	10 (3.0)	CONTROLLER CAB.	1 (0.3)	BRACKET MOUNTED	13 (4.0)
30" (750mm)	15 (4.6)	FIBER OPTIC	13 (4.0)	PED. PUSHBUTTON	4 (1.2)
		ELECTRIC SERVICE	1 (0.3)	ELECTRIC SERVICE	13.5 (4.1)
		GROUND CABLE	1 (0.3)	SERVICE TO GROUND	13.5 (4.1)
				POST MOUNTED	6 (1.8)

NOTES:

- REMOVE EXISTING LOCAL CONTROLLER AND CABINET. INSTALL NEW CONTROLLER AND TYPE IV CABINET ON EXISTING FOUNDATION.

REVISIONS	
NAME	DATE

ILLINOIS DEPARTMENT OF TRANSPORTATION
CABLE PLAN, TRAFFIC SIGNAL SEQUENCE OF OPERATION & SCHEDULE OF QUANTITIES
U.S. RTE. 30 (LINCOLN HWY.) & ELLIS ST.
SCALE: NONE
DATE: 3/10/06
DRAWN BY: BRD
DESIGNED BY: BRD
CHECKED BY: JJE/KMM