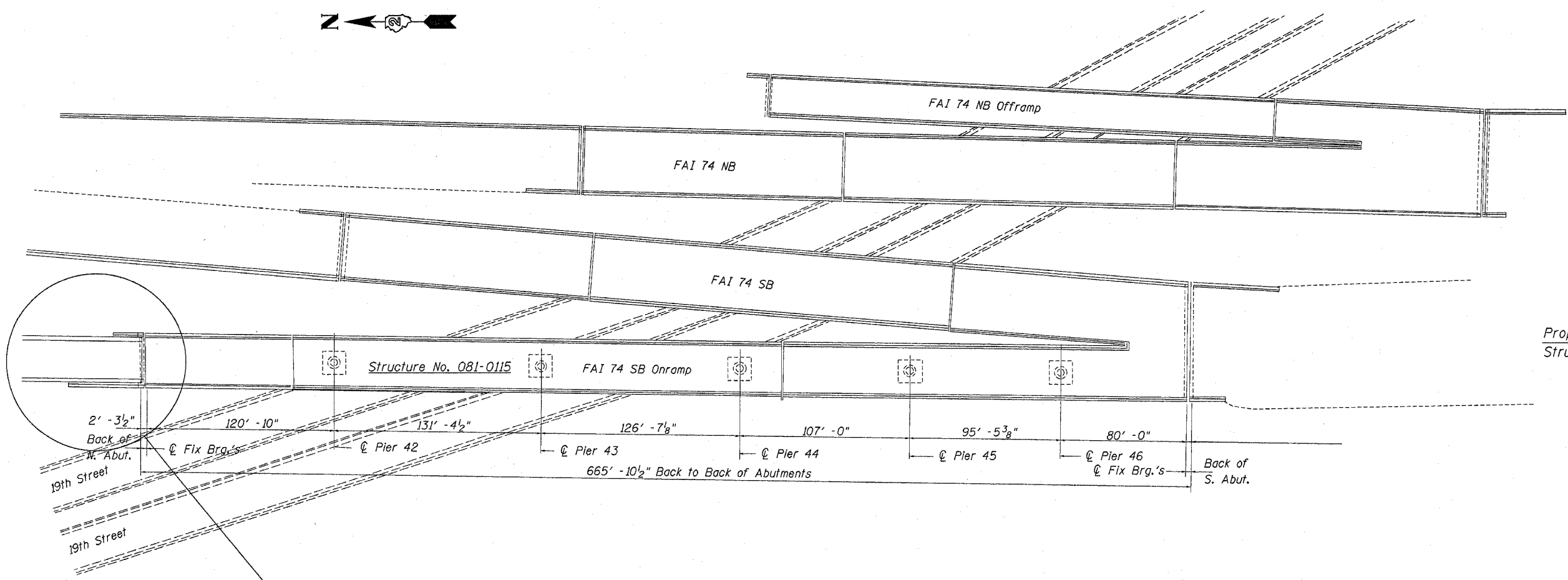


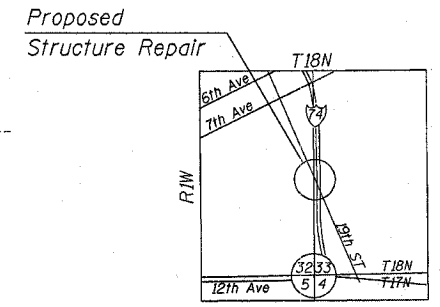
F.A.I. RTE.	SECTION	COUNTY	TOTAL SHEETS	SHEET NO.
•	••	•••	13	3
STA. _____ TO STA. _____				
FED. ROAD DIST. NO. _____ ILLINOIS FED. AID PROJECT				

\* FAI 80 & 74  
 \*\* (37-5HB-2 & 81-1HB)M  
 \*\*\* Henry & Rock Island Counties

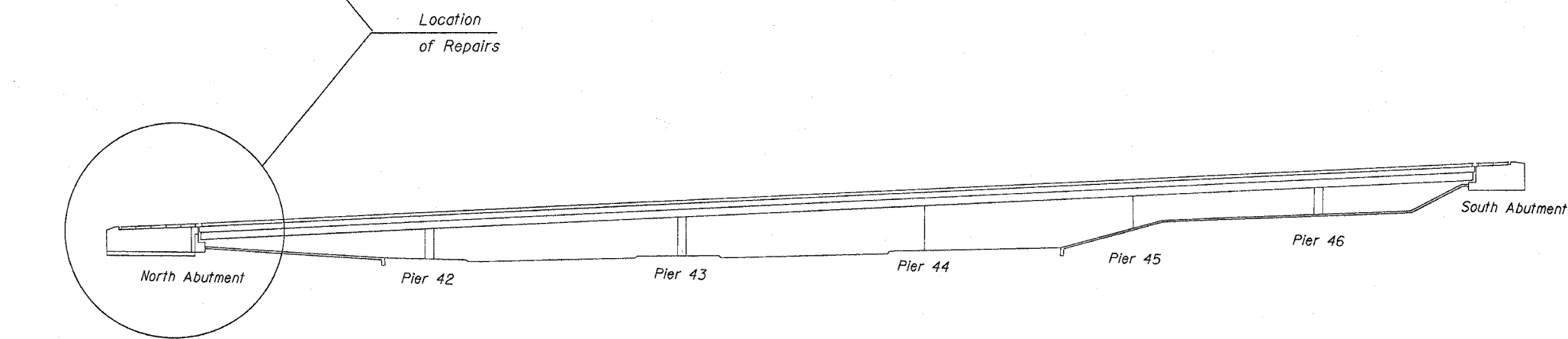
Sheet 1 of 3



Plan



Location Plan



Elevation

Total Bill of Materials

ITEM	UNIT	QUANTITY
Concrete Removal	Cu Yd	12.8
Approach Slab Removal & Replacement	Sq Yd	54
Concrete Structures	Cu Yd	10.2
Combination Concrete Curb and Gutter (Special)	Foot	40
Structural Steel	Pound	420
Reinforcement Bars (Epoxy Coated)	Pound	750
Structure Excavation	Cu Yd	54
Porous Granular Embankment (Special)	Cu Yd	54
Pipe Underdrains for Structures	Foot	34
Silicone Joint Sealer	Foot	31
Preformed Joint Sealer 4"	Foot	32
Geocomposite Wall Drain	Sq Yd	32

General Notes

All structural steel shall be AASHTO M 270 Grade 36.  
 Expansion joint plates and attached bars shall be shop painted with the inorganic zinc rich primer per AASHTO M300, Type 1. Cost Included with Furnish & Erect Structural Steel.  
 Field welding of construction accessories will not be permitted to beams or girders.

All construction joints shall be bonded.

Plan dimensions and details relative to existing structure have been taken from existing plans and are subject to nominal construction variations. It shall be the Contractor's responsibility to verify such dimensions and details in the field and make necessary approved adjustments prior to construction or ordering of materials. Such variations shall not be cause for additional compensation for a change in the scope of the work, however, the Contractor will be paid for the quantity actually furnished at the unit price for the work.

General Plan & Elevation  
 FAI Route 74 Section (81-1HB)M  
 Rock Island County  
 Structure No. 081-0115  
 I-74 SB Onramp over 19th Street  
 in Moline

PLOT DATE = Tue Mar 21 15:08:46 2006  
 FILE NAME = C:\Users\jshenry\My Documents\0371164\0810115.dgn  
 USER NAME = jshenry