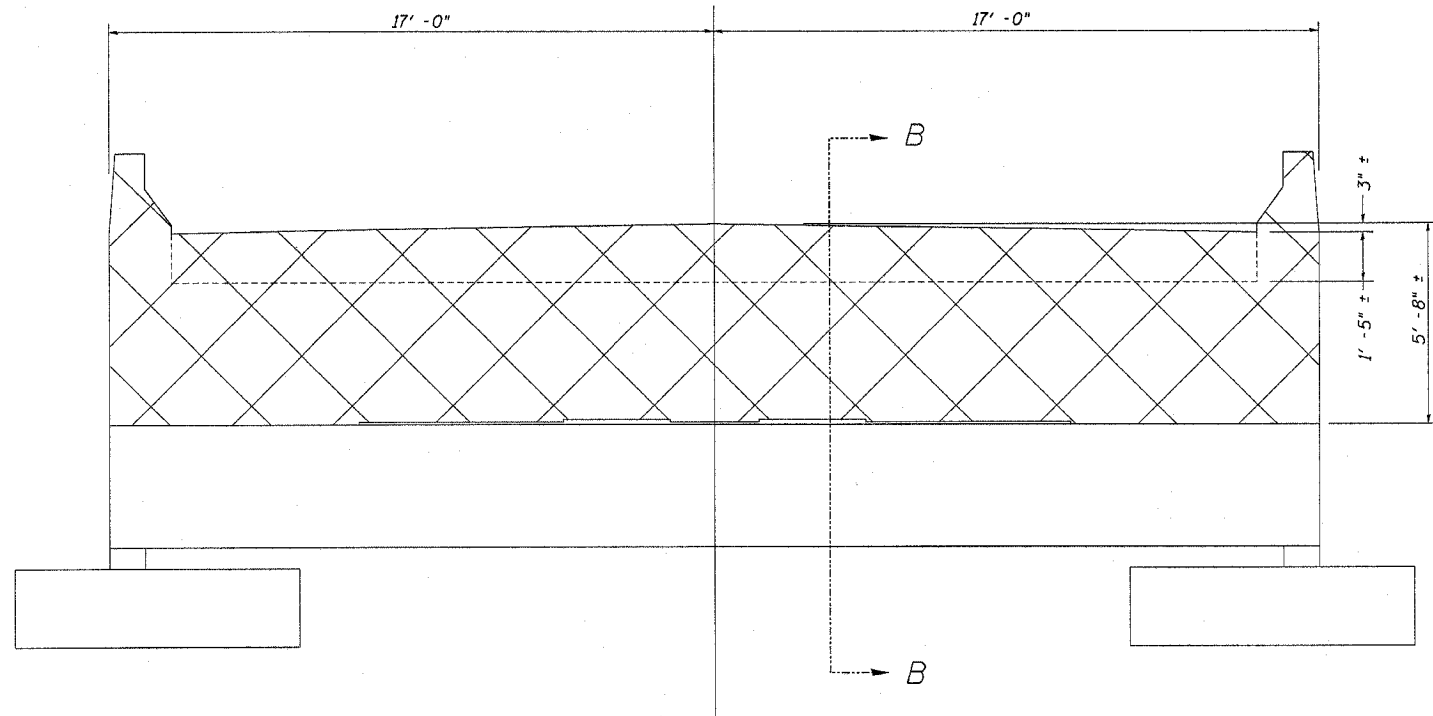
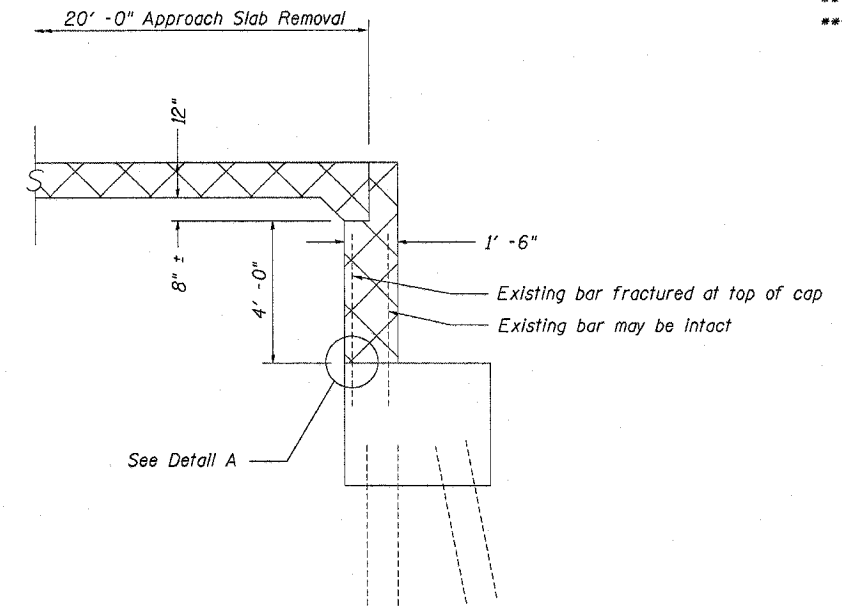


F.A.I. RTE.	SECTION	COUNTY	TOTAL SHEETS	SHEET NO.
*	**	***	13	4
STA. _____ TO STA. _____		FED. ROAD DIST. NO. _____ ILLINOIS FED. AID PROJECT		

\* FAI 80 & 74  
 \*\* (37-5HB-2 & 81-1HB)M  
 \*\*\* Henry & Rock Island Counties



Elevation-North Abutment  
 Showing Removal



Existing Section B-B

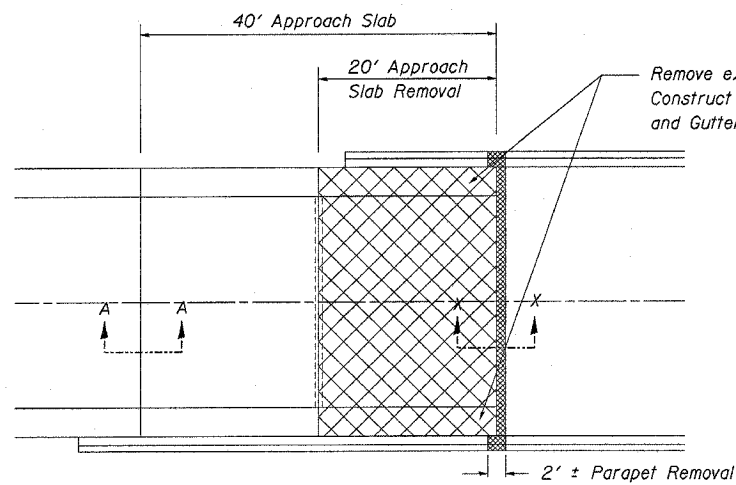
Bill of Material (Substructure)

BAR	NO.	SIZE	LENGTH	SHAPE
h <sub>10</sub> (e)	10	4	3' - 2"	—
h <sub>21</sub> (e)	10	4	1' - 9"	—
h <sub>37</sub> (e)	11	5	15' - 0"	—
h <sub>42</sub> (e)	11	5	20' - 0"	—
s <sub>2</sub> (e)	2	4	5' - 9"	□
s <sub>3</sub> (e)	2	4	7' - 3"	□
v (e)	31	4	5' - 4"	—
v <sub>54</sub> (e)	6	4	3' - 9"	—
v <sub>56</sub> (e)	31	4	4' - 10"	—
v <sub>57</sub> (e)	6	5	6' - 8"	—
v <sub>59</sub> (e)	6	4	2' - 9"	—
v <sub>65</sub> (e)	6	4	8' - 10"	—

Concrete Removal	Cu Yd	12.8
Approach Slab Removal & Replacement	Sq Yd	54
Concrete Structures	Cu Yd	10.2
Combination Concrete Curb and Gutter (Special)	Foot	40
Structural Steel	Pound	420
Reinforcement Bars (Epoxy Coated)	Pound	750
Structure Excavation	Cu Yd	54
Porous Granular Embankment (Special)	Cu Yd	54
Pipe Underdrains for Structures	Foot	34
Silicone Joint Sealer	Foot	31
Preformed Joint Sealer 4"	Foot	32

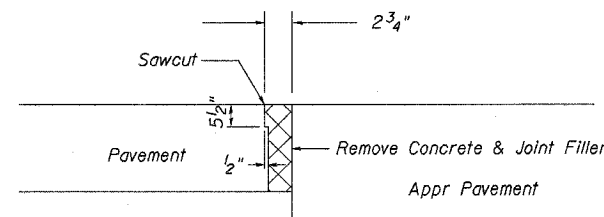
\* Drill & Grout bars 12" deep

Substructure Concrete Removal  
 FAI Route 74 Section (81-1HB)M  
 Rock Island County  
 Structure No. 081-0115  
 I-74 SB Onramp over 19th Street  
 in Moline



Plan - North Approach

For Section X-X, See sheet 3 of 3 sheets.



Existing Section A-A