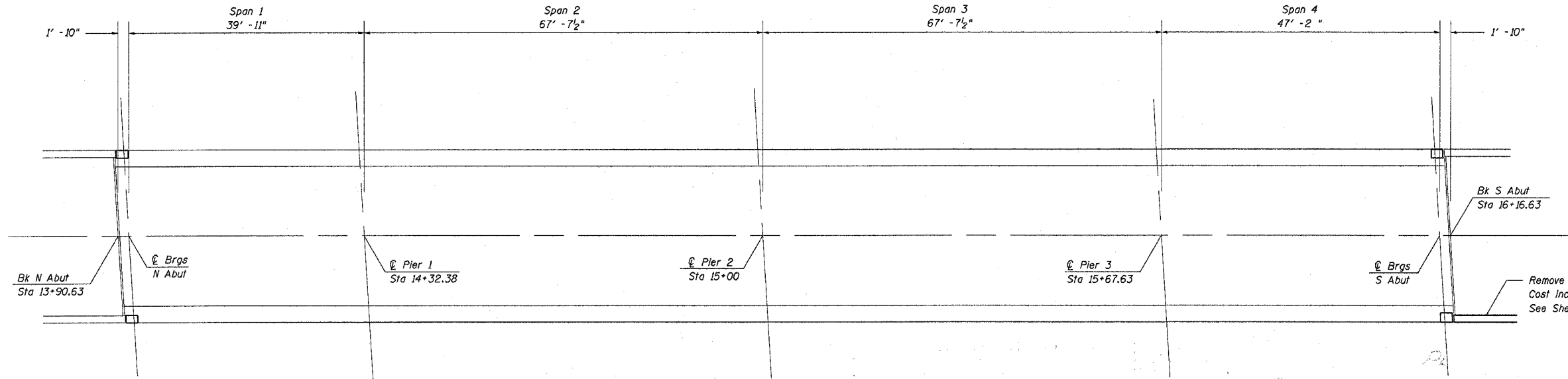


* FAI 80 & 74
 ** (37-5HB-2 & 81-IHB)M
 *** Henry & Rock Island Counties

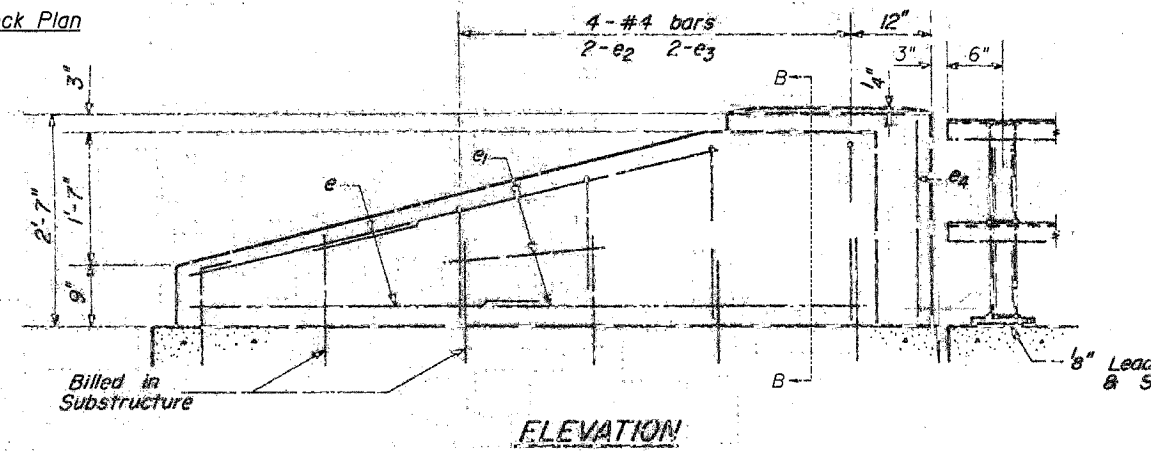
F.A.I. RTE.	SECTION	COUNTY	TOTAL SHEETS	SHEET NO.
*	**	***	13	7

STA. _____ TO STA. _____
 FED. ROAD DIST. NO. ILLINOIS FED. AID PROJECT

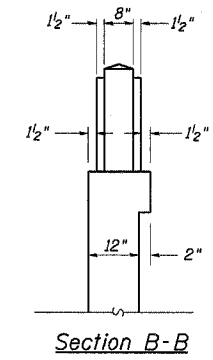


Remove guardrail and re-attach to reconstructed wingwall. Cost Included In Concrete Structures. See Sheet 3 of 5 for details.

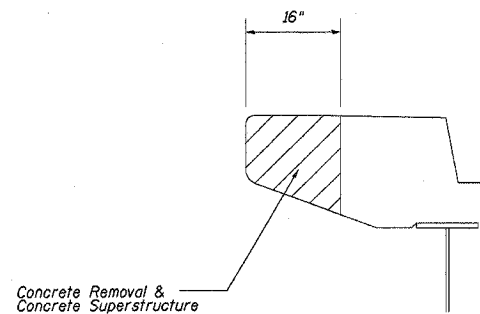
Deck Plan



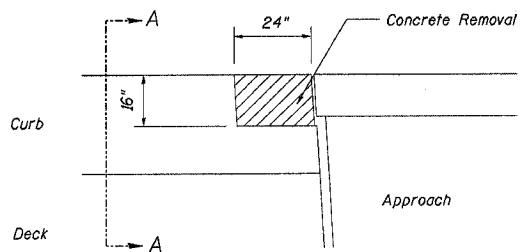
ELEVATION



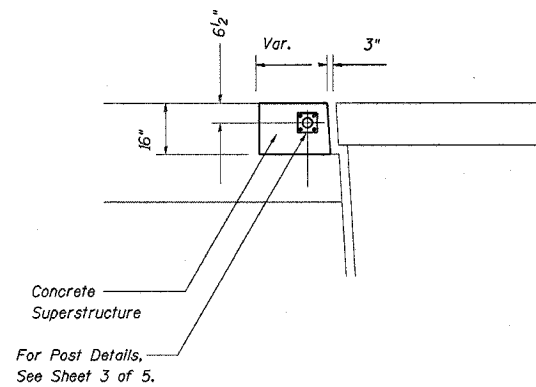
Section B-B



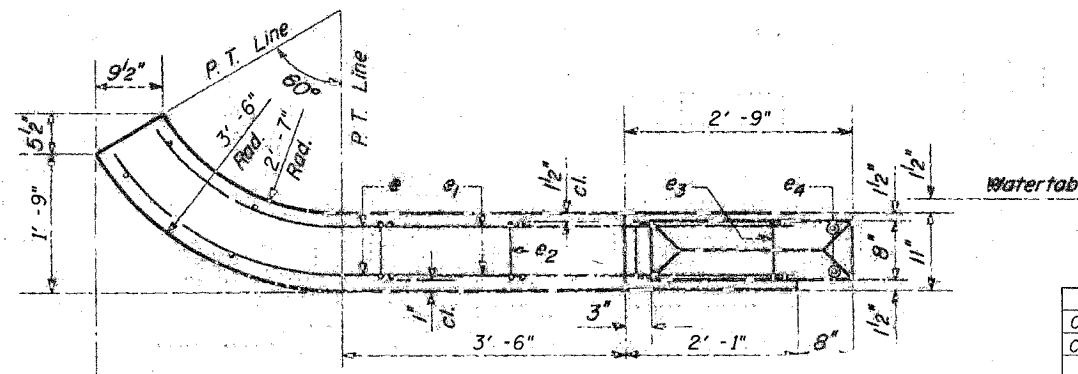
Section A-A



End of Deck Detail
(4 Locations)



NOTE: EXISTING REINFORCEMENT BARS EXTENDING INTO THE REMOVAL AREAS SHALL BE CLEANED, STRAIGHTENED AND INCORPORATED INTO THE NEW CONSTRUCTION. ANY REINFORCEMENT BARS THAT ARE DAMAGED DURING CONCRETE REMOVAL SHALL BE REPLACED WITH APPROVED BAR SPLICER OR ANCHORAGE SYSTEM. COST INCLUDED WITH CONCRETE REMOVAL.



Existing End Post Details

Bill of Material (Deck)

ITEM	UNIT	QUANTITY
Concrete Removal	Cu Yd	0.5
Concrete Superstructure	Cu Yd	0.5

Deck Plan & Details
 FAI Route 80 Section (37-5HB-2)M
 Henry County
 Structure No. 037-0116
 TR 375N over Interstate 80