

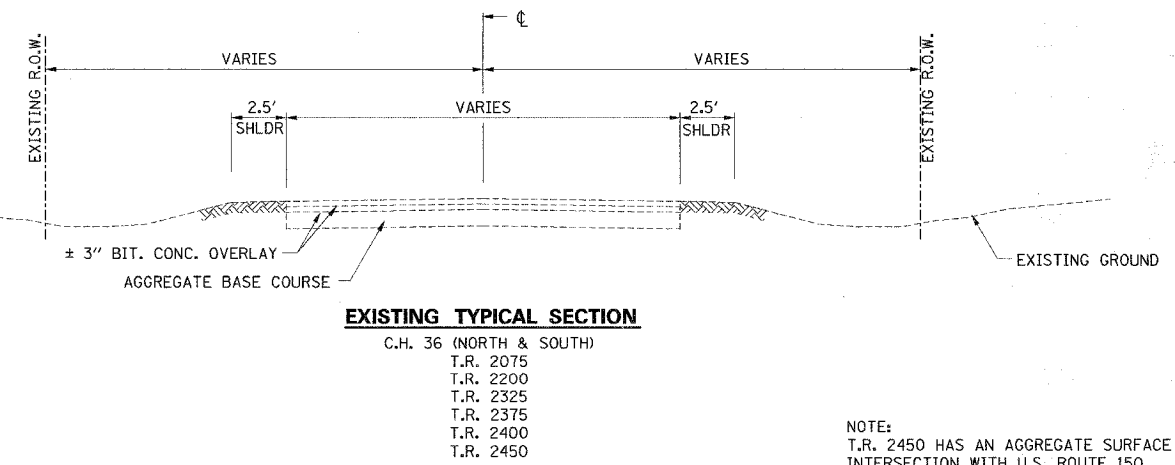
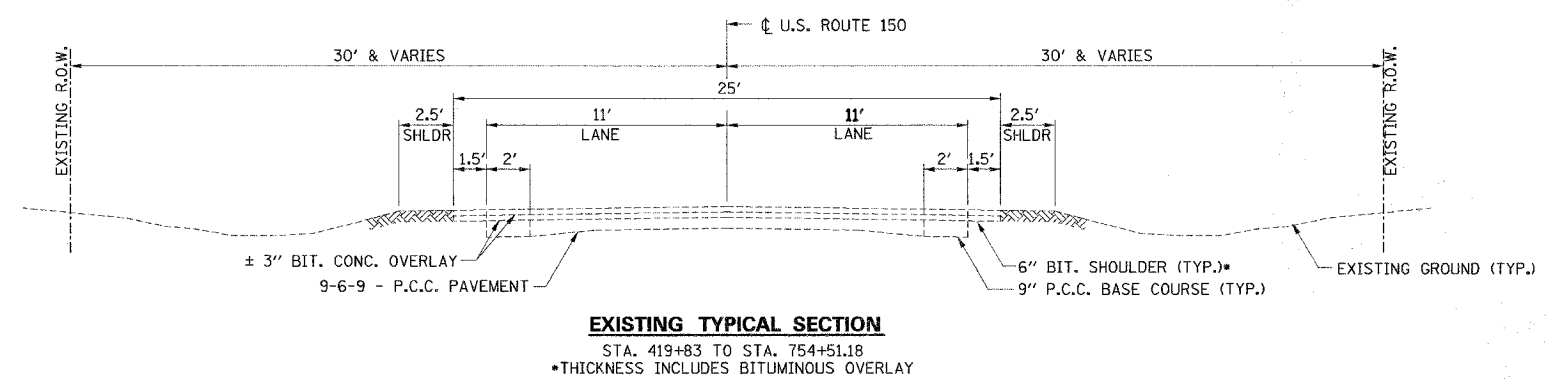
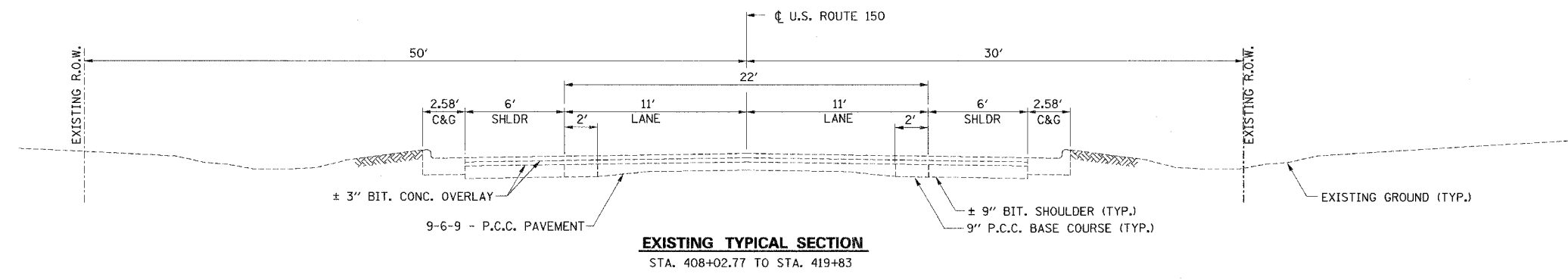
F.A.S. RTE.	SECTION	COUNTY	TOTAL SHEETS	SHEET NO.
1517 (2)RS-3 (3)RS-4		MCLEAN	223	6
STA. _____ TO STA. _____				
FED. ROAD DIST. NO. - ILLINOIS FED. AID PROJECT				

66383

PLAN	DATE
BY	
SURVEYED	
ALIGNED	
CHECKED	
DATE	
FILE NAME	
NO.	

PROFILE	DATE
BY	
SURVEYED	
GRADES CHECKED	
DATE	
FILE NAME	
NO.	

COMPANY NAME: #COMPANY NAME#
 PROJECT CONTACT: #PROJECT CONTACT#
 CLIENT: #CLIENT#
 DATE: #DATE#
 SHEET: #SHEET#



NOTE:
 T.R. 2450 HAS AN AGGREGATE SURFACE BEYOND THE INTERSECTION WITH U.S. ROUTE 150.

ILLINOIS DEPARTMENT OF TRANSPORTATION
F.A.S. 1517 (U.S. ROUTE 150)
EXISTING TYPICAL SECTIONS

SCALE: VERT. _____
 HORIZ. _____
 DATE _____

DRAWN BY _____
 CHECKED BY _____