

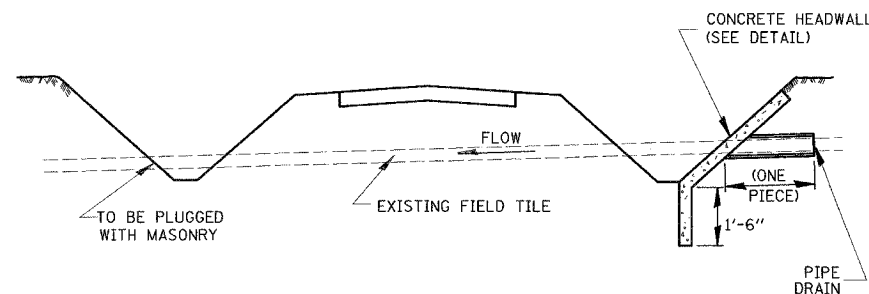
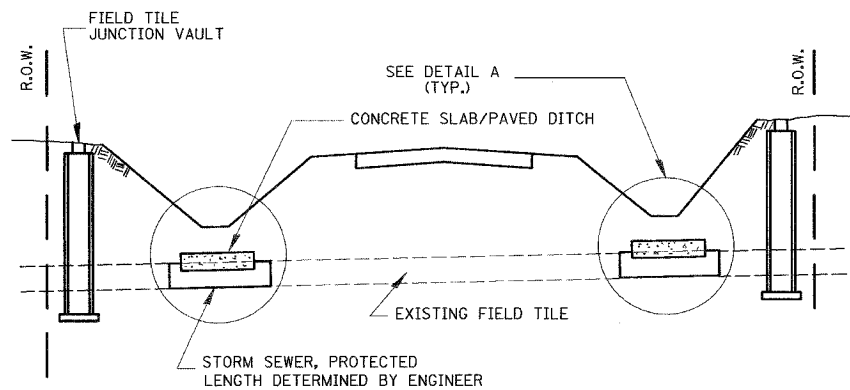
F.A.S. R/L	SECTION	COUNTY	TOTAL SHEETS	SHEET NO.
1517 (2)RS-3 (3)RS-4		MCLEAN	223	106
STA.	TO STA.			
FED. ROAD DIST. NO.	ILLINOIS FED. AID PROJECT			

66383

ALTERNATE MATERIALS FOR WALLS	T
PRECAST REINFORCED CONCRETE RISERS	4"
CONCRETE MASONRY UNIT	5"
MONOLITHIC CONCRETE	6"
BUILDING BRICK, GRADE SW FROM CLAY OR SHALE	8"
CONCRETE BUILDING BRICK, GRADE A	8"

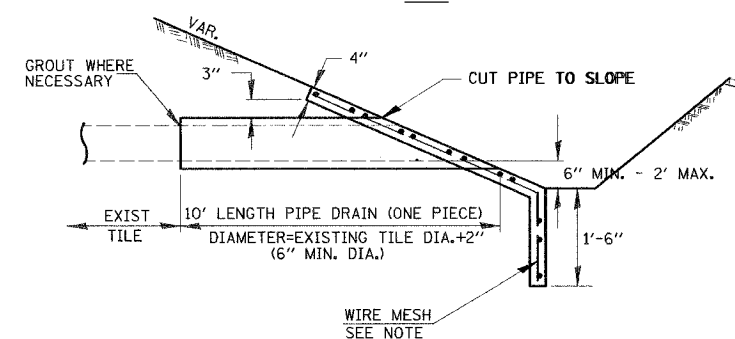
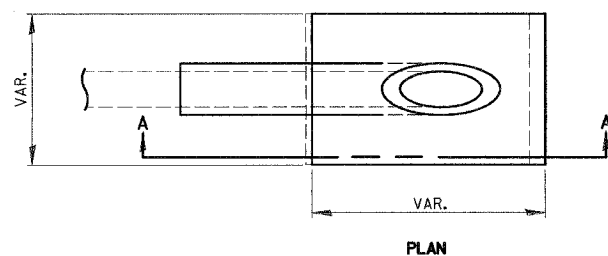
- NOTES
1. THE CONTRACT UNIT PRICE FOR FIELD TILE JUNCTION VAULT SHALL INCLUDE THE COST OF FURNISHING AND PLACING THE FRAME AND GRATE OR PRECAST CONCRETE LID AND WHEN REQUIRED, THE SAND CUSHION.
 2. ALL FIELD TILE JUNCTION VAULTS SHALL BE 2'-0" IN DIAMETER UNLESS OTHERWISE NOTED ON THE PLANS.

DATE	BY	SURVEYED
		NOTE BOOK
		ALIGNMENT CHECKED
		PLAN FILE NAME
		NO.



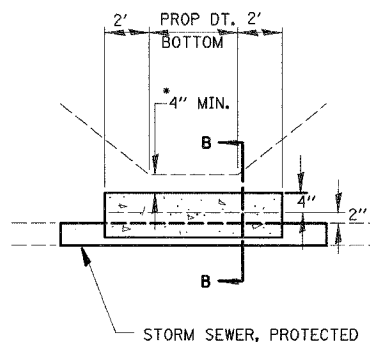
FIELD TILE REPLACEMENT

DATE	BY	PROFILE
		SURVEYED
		GRADES CHECKED
		PLAN CHECKED
		STRUCTURE NOTATIONS CHECKED
		NO.



SECTION A-A

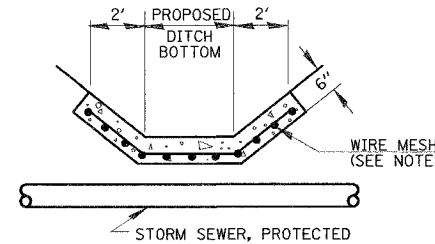
CLASS SI CONCRETE HEADWALLS



DETAIL A

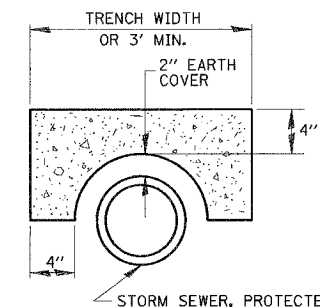
NO SCALE

- NOTES
- * IF A 4" COVER CAN NOT BE PROVIDED A PAVED DITCH SHALL BE CONSTRUCTED AS SHOWN IN DETAIL C.
1. WIDTH OF CONCRETE SLAB SHALL BE THE SAME AS THE TRENCH WIDTH IN ACCORDANCE WITH SECTION 550 OF THE STD. SPECIFICATIONS, OR 3' MIN.
 2. CONCRETE FOR SLAB, HEADWALL AND PAVED DITCH SHALL BE PAID FOR AT THE CONTRACT UNIT PRICE PER CUBIC YARD FOR MISCELLANEOUS CONCRETE.
 3. COST OF FURNISHING AND INSTALLING WIRE MESH SHALL BE INCLUDED IN THE CONTRACT UNIT PRICE PER CUBIC YARD FOR MISCELLANEOUS CONCRETE. WIRE MESH TO WEIGH NOT LESS THAN 58# PER 100 SQ. FT.

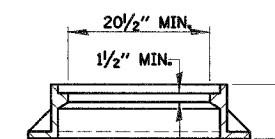
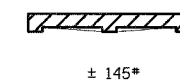
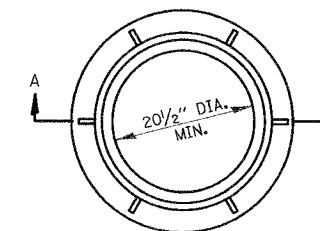


DETAIL C

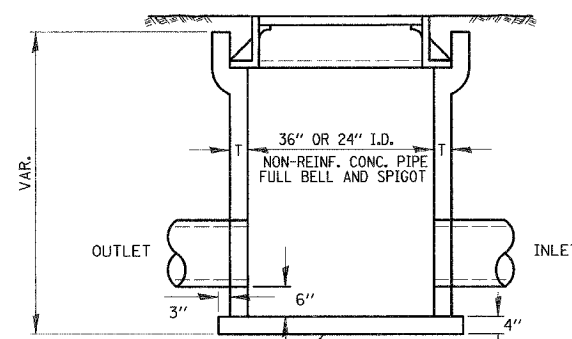
NO SCALE



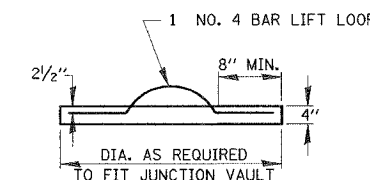
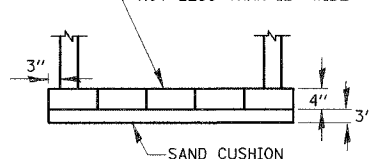
SECTION B-B



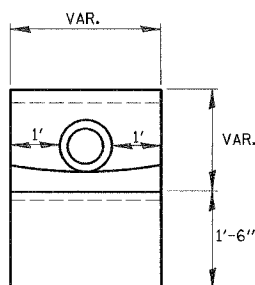
SECTION A-A



CLASS SI CONCRETE OR PRECAST REINFORCED CONCRETE SLABS NOT LESS THAN 12" WIDE



FIELD TILE JUNCTION VAULT



END VIEW

- NOTES
1. ANY STORM SEWER OR FIELD TILE OUTLET INTO A DITCH SHALL HAVE A HEADWALL BUILT IN ACCORDANCE WITH THIS DETAIL.
 2. COST OF FURNISHING AND INSTALLING WIRE MESH SHALL BE INCLUDED IN THE CONTRACT UNIT PRICE PER CUBIC YARD FOR MISCELLANEOUS CONCRETE. WIRE MESH TO WEIGH NOT LESS THAN 58# PER 100 SQ. FT.

COMPANY NAME: # COMPANY NAME #
 PROJECT CONTACT: # PROJECT CONTACT #
 CLIENT: # CLIENT #
 DATE: # DATE #
 SHEET: # SHEET #

ILLINOIS DEPARTMENT OF TRANSPORTATION
 F.A.S. 1517 (U.S. ROUTE 150)
 MISCELLANEOUS DETAILS

SCALE: VERT. DATE
 HORIZ. DRAWN BY
 CHECKED BY