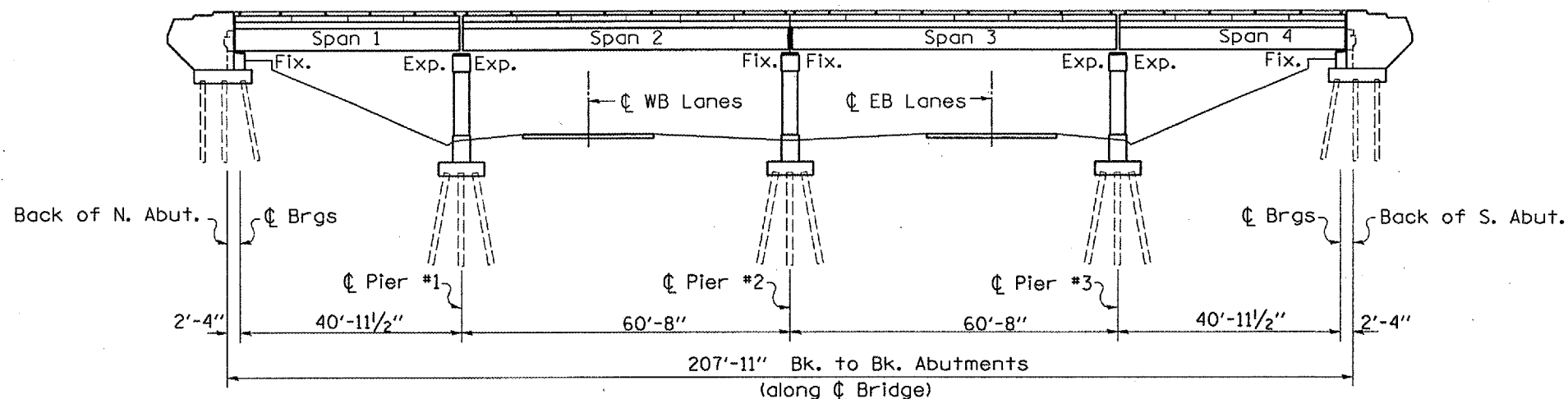
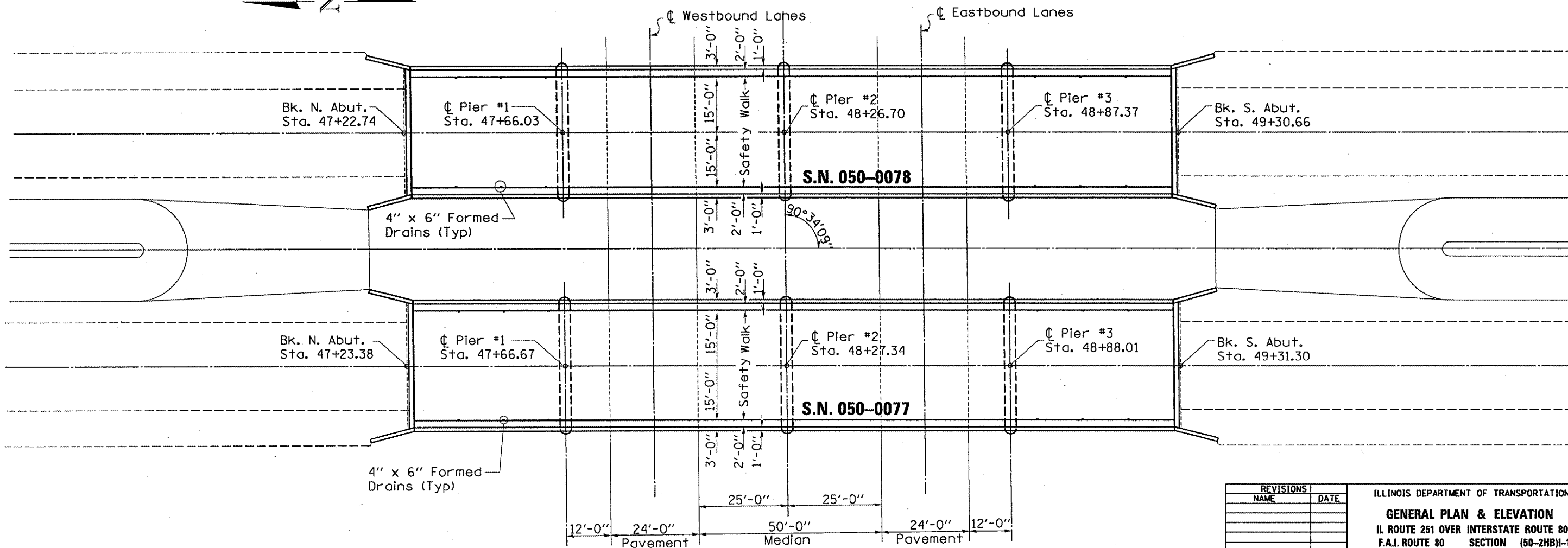
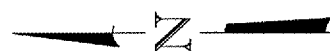


F.A.I. RTE.	SECTION	COUNTY	TOTAL SHEETS	SHEET NO.
80	(50-2HB)I-1	LASALLE	26	6
ILLINOIS			STATE PROJECT	



ELEVATION



PLAN

REVISIONS	
NAME	DATE

ILLINOIS DEPARTMENT OF TRANSPORTATION
GENERAL PLAN & ELEVATION
 IL ROUTE 251 OVER INTERSTATE ROUTE 80
 F.A.I. ROUTE 80 SECTION (50-2HB)I-1
 LASALLE COUNTY
 STATION 569+41.10

DATE 01/17/2006

DRAWN BY RLW

DATE: 01/17/2006
 c:/projects/main07/cm305/details.dgn