
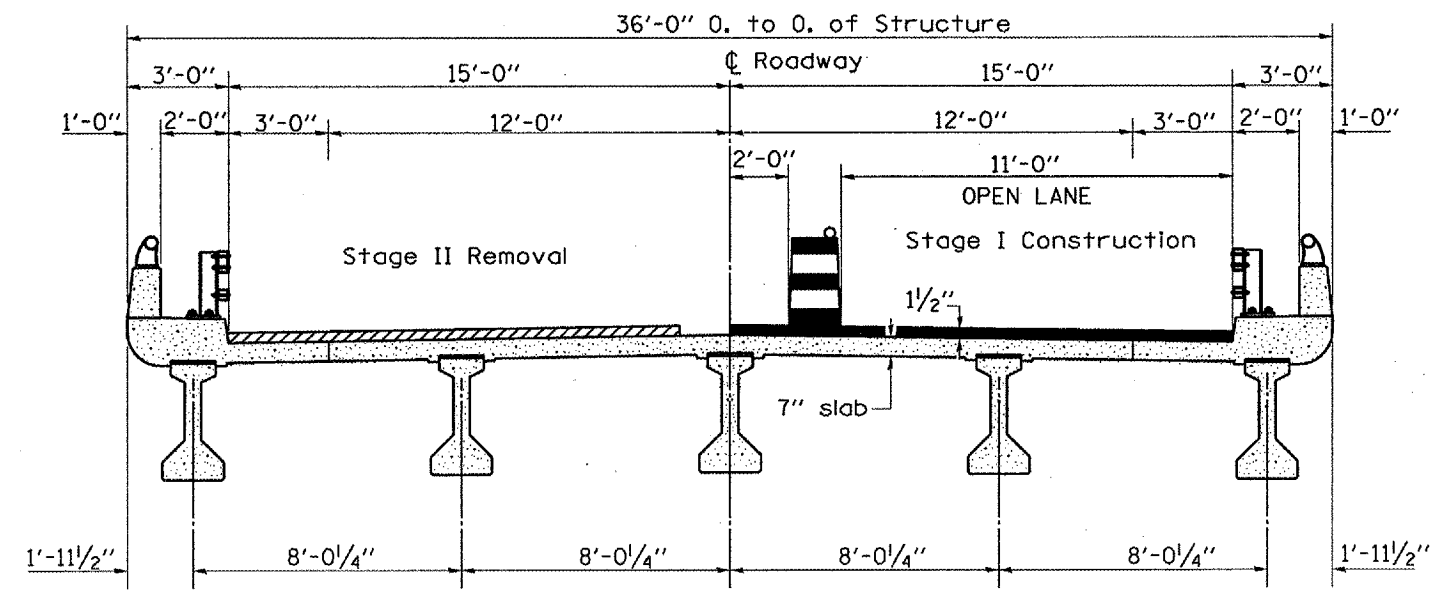
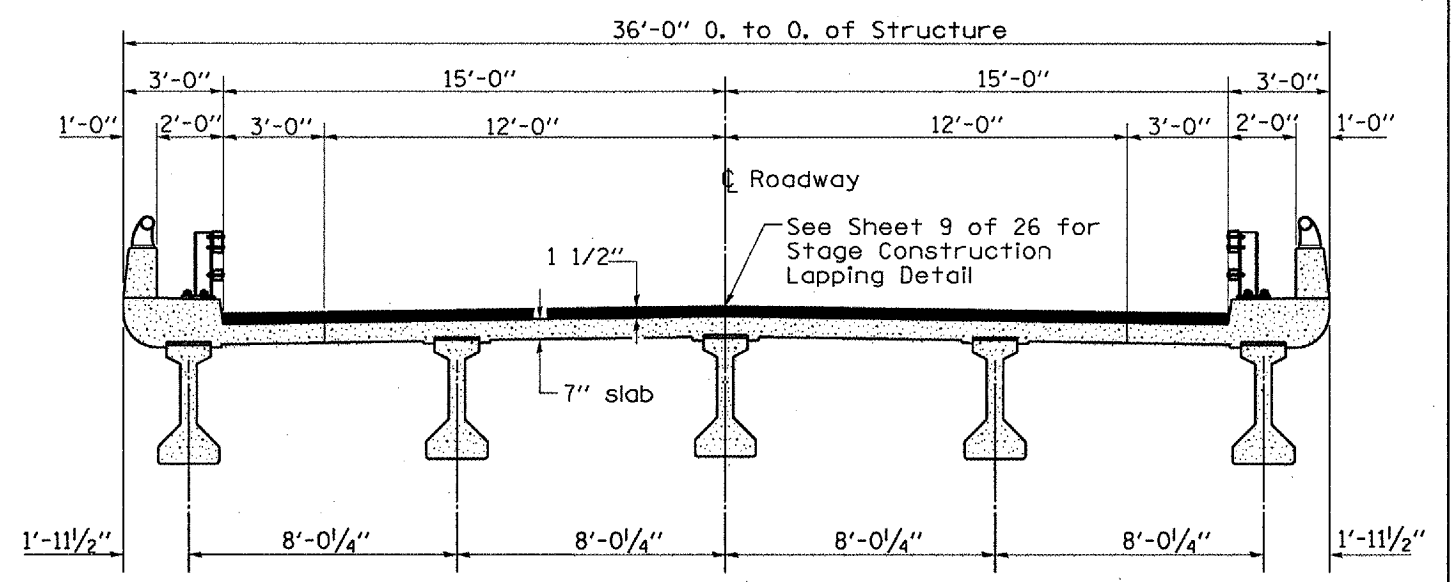


**EXISTING TYPICAL SECTION  
STAGE I**


 Bituminous Surface & waterproofing removal



**EXISTING TYPICAL SECTION  
STAGE II**



**PROPOSED TYPICAL SECTIONS**

 Bituminus Concrete Surface Cse. Superpave, Mix D, N70 & Waterproofing Membrane System

REVISIONS	
NAME	DATE

ILLINOIS DEPARTMENT OF TRANSPORTATION

**TYPICAL SECTIONS**

IL ROUTE 251 OVER INTERSTATE ROUTE 80  
F.A.I. ROUTE 80 SECTION (50-2HB)I-1  
LASALLE COUNTY  
STATION 569+41.10

DATE 01/17/2006 DRAWN BY RLW

DATE: 01/17/2006  
c:/projects/cmain07/cm305/details.dgn