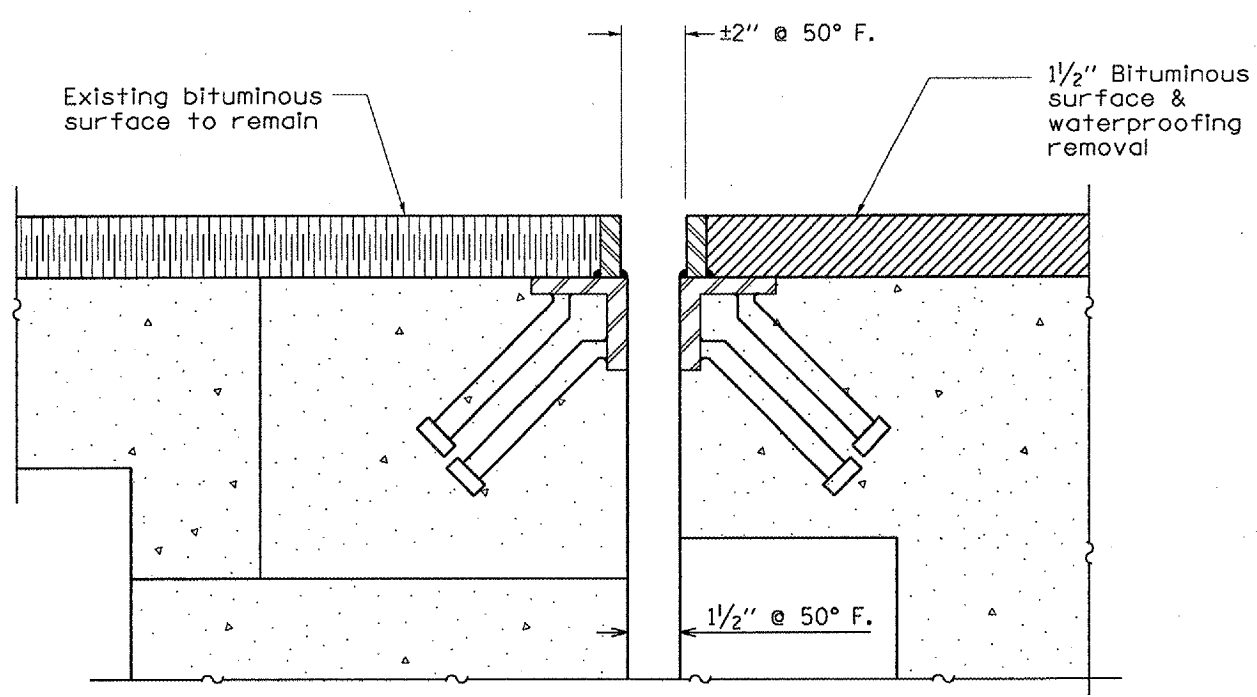
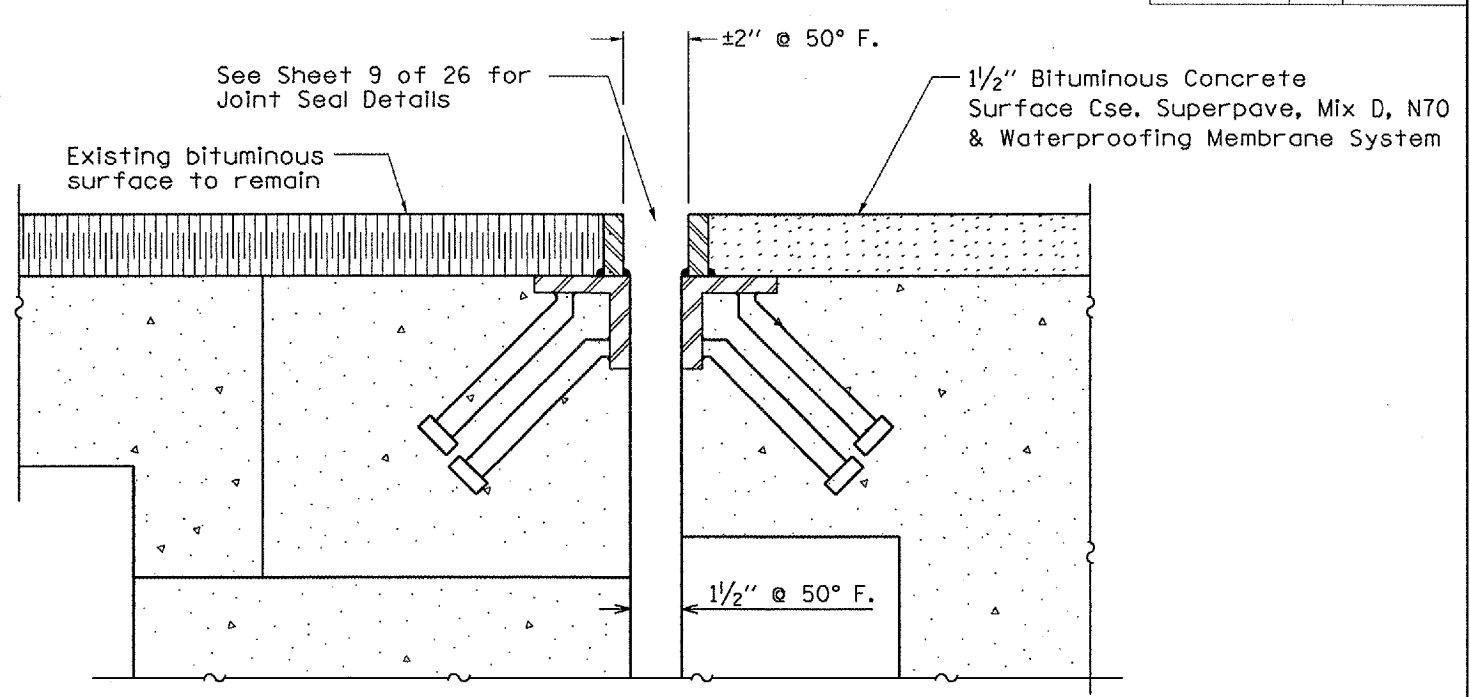


F.A.I. RTE.	SECTION	COUNTY	TOTAL SHEETS	SHEET NO.
80	(50-2HB)1-1	LASALLE	26	8
ILLINOIS			STATE PROJECT	

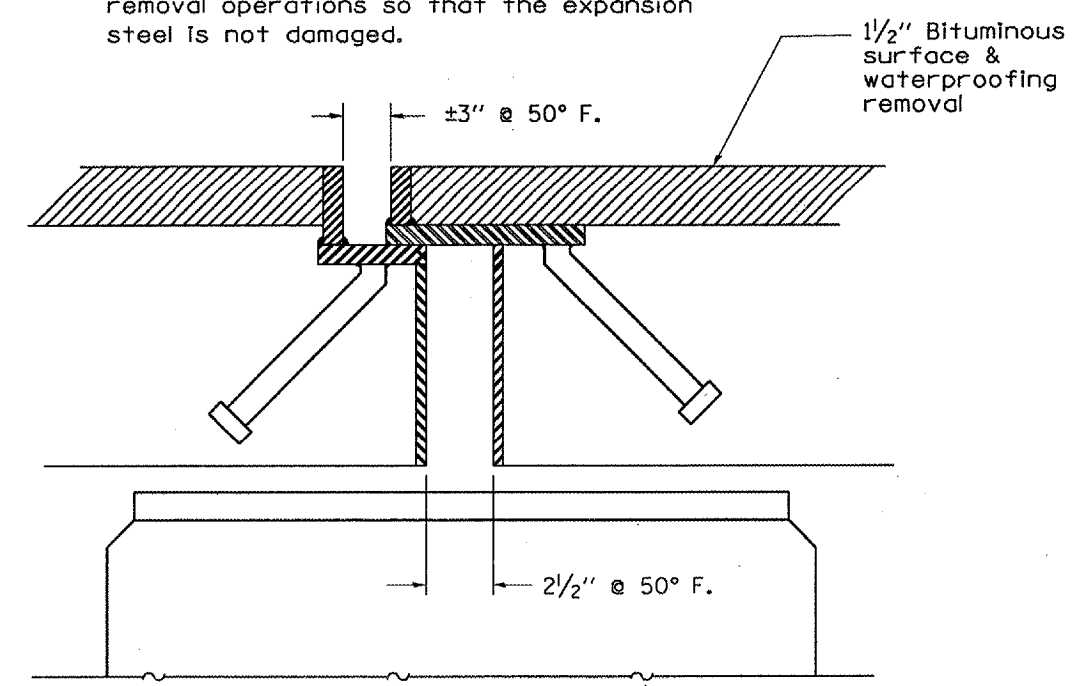


EXISTING TYPICAL SECTION AT ABUTMENTS

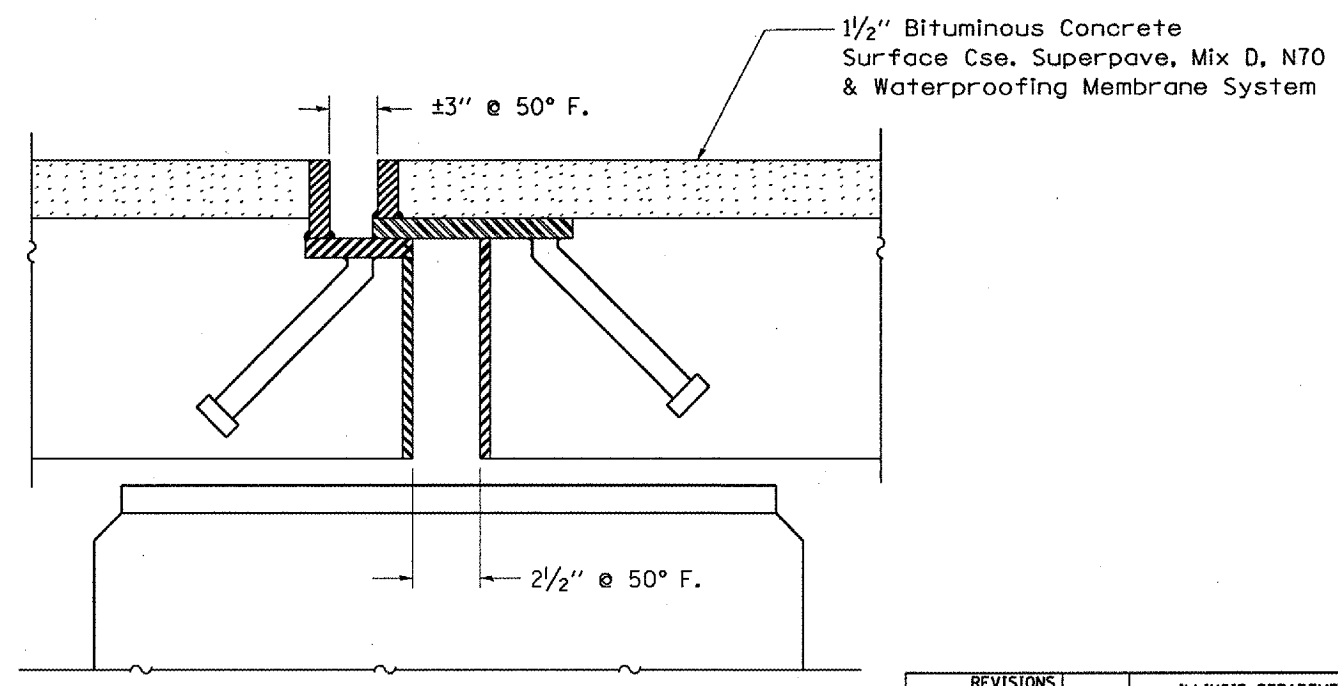


PROPOSED TYPICAL SECTION AT ABUTMENTS

NOTE: All existing expansion shall remain in place. The Contractor shall exercise care during removal operations so that the expansion steel is not damaged.



EXISTING TYPICAL SECTION AT PIERS



PROPOSED TYPICAL SECTION AT PIERS

DATE: 01/17/2006
 c:/projects/cm305/details.dgn

REVISIONS	NAME	DATE

ILLINOIS DEPARTMENT OF TRANSPORTATION
BRIDGE JOINT DETAILS
 IL ROUTE 251 OVER INTERSTATE ROUTE 80
 F.A.I. ROUTE 80 SECTION (50-2HB)1-1
 LASALLE COUNTY
 STATION 569 + 41.10
 DATE 01/17/2006 DRAWN BY RLW