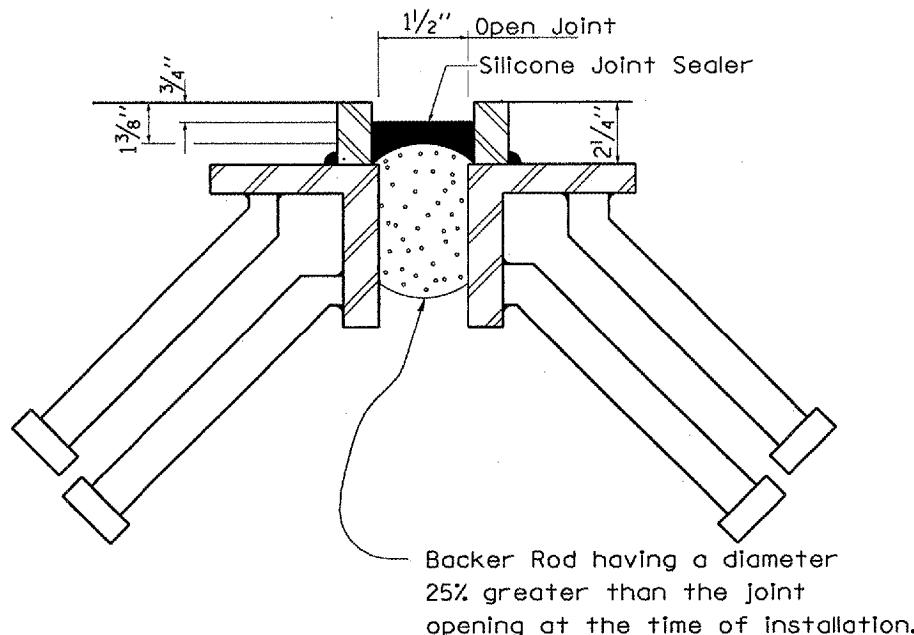
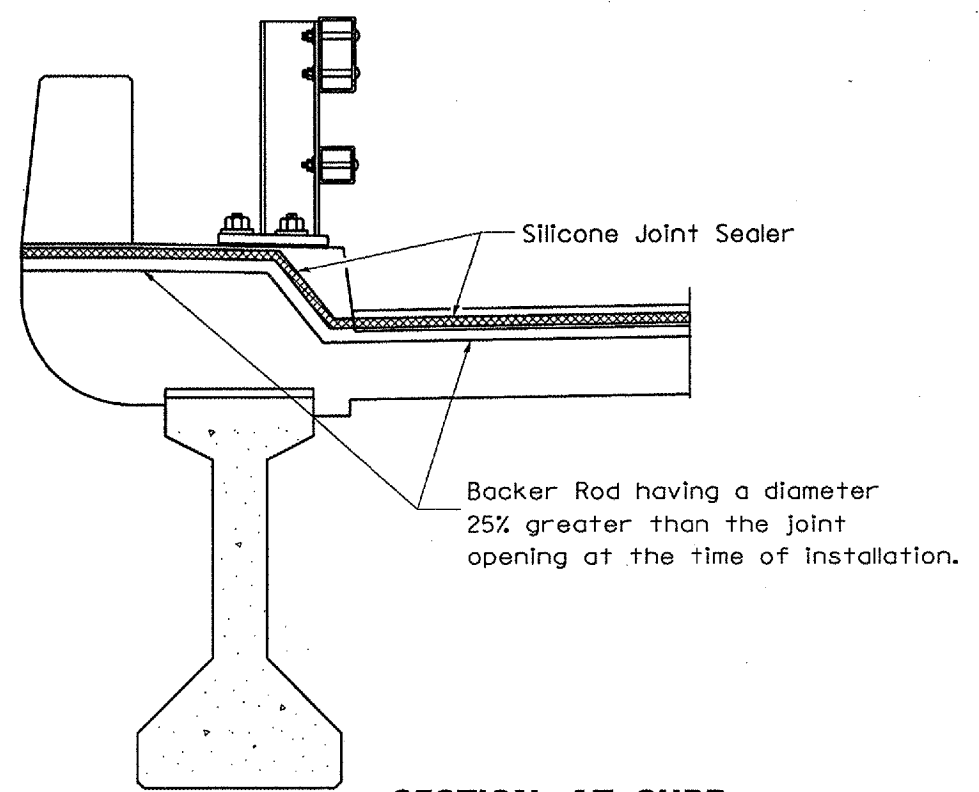


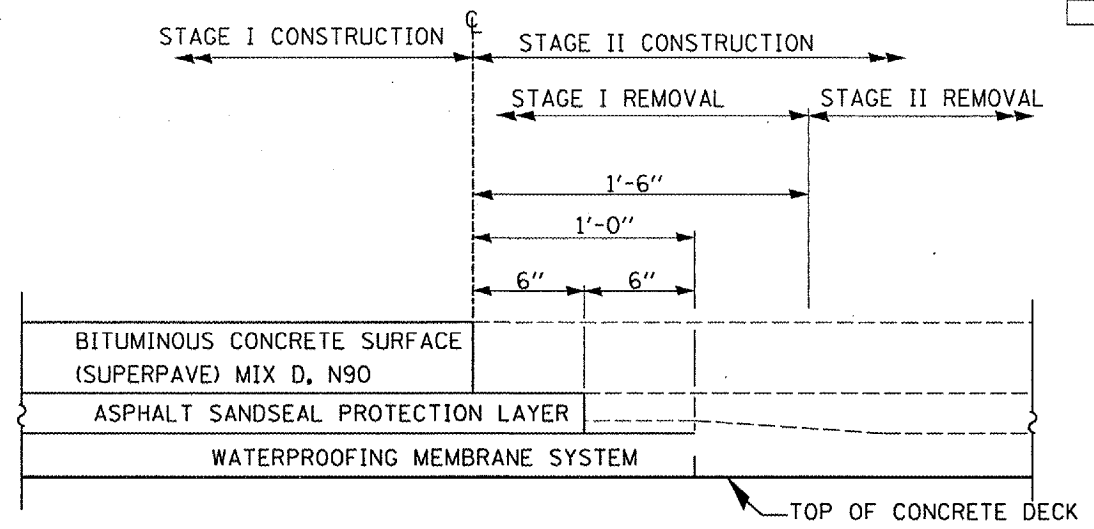
F.A.I. RTE.	SECTION	COUNTY	TOTAL SHEETS	SHEET NO.
80	150-2HB1-1	LASALLE	26	9
ILLINOIS			STATE PROJECT	



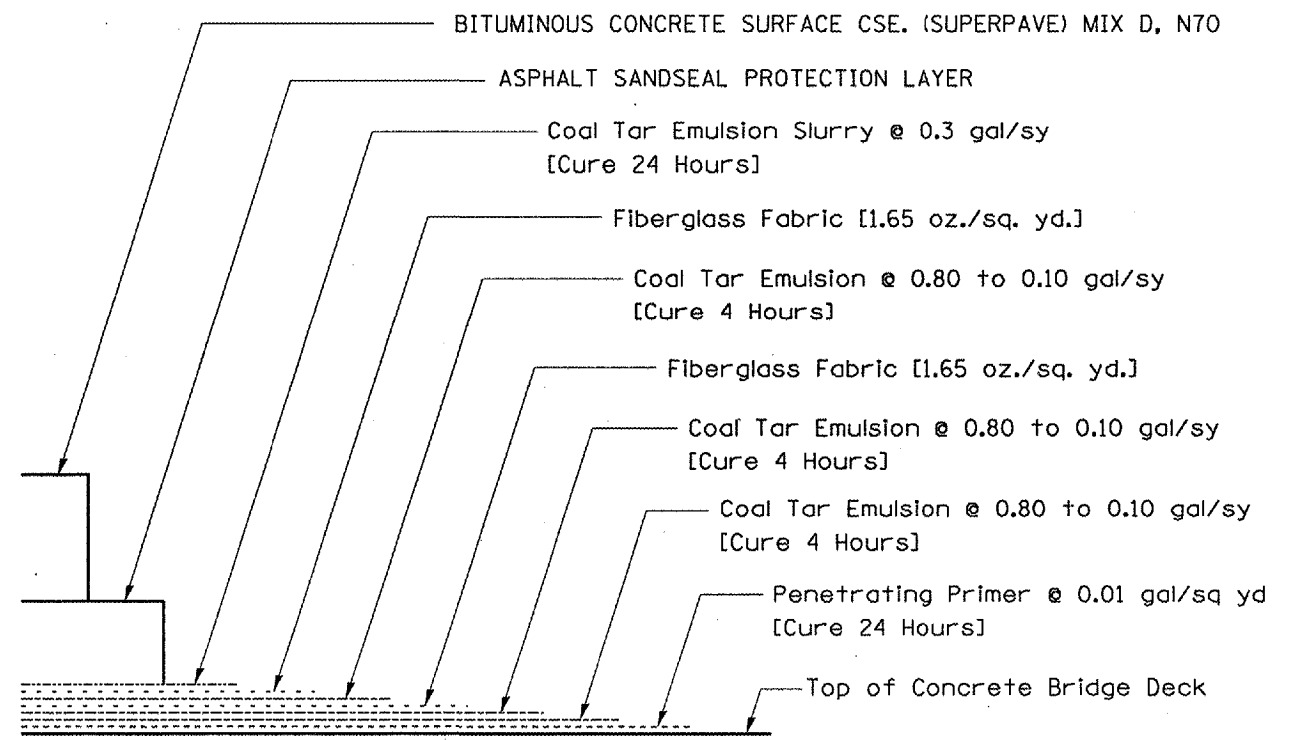
**JOINT SEAL DETAIL AT ABUTMENTS**



**SECTION AT CURB**



**STAGE CONSTRUCTION LAPPING DETAIL**



**WATERPROOFING MEMBRANE SYSTEM DETAIL**

DATE: 01/17/2006  
c:/projects/cmain07/cm305/details.dgn

REVISIONS	NAME	DATE

ILLINOIS DEPARTMENT OF TRANSPORTATION  
**MISCELLANEOUS DETAILS**  
IL ROUTE 251 OVER INTERSTATE ROUTE 80  
F.A.I. ROUTE 80 SECTION (50-2HB1)-1  
LASALLE COUNTY  
STATION 569+41.10  
DATE 01/17/2006      DRAWN BY RLW