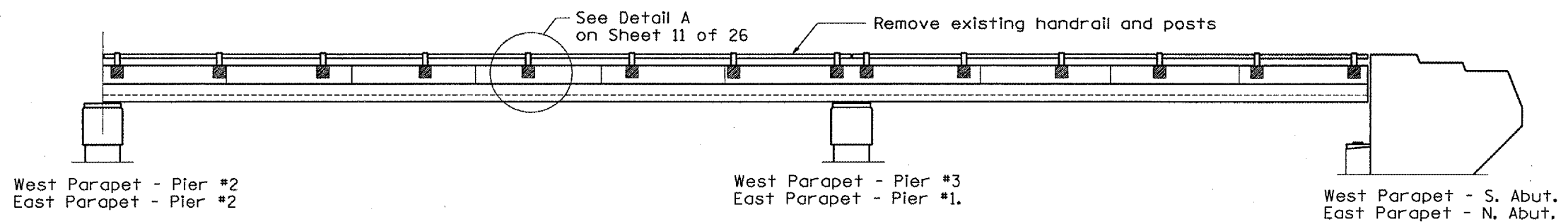
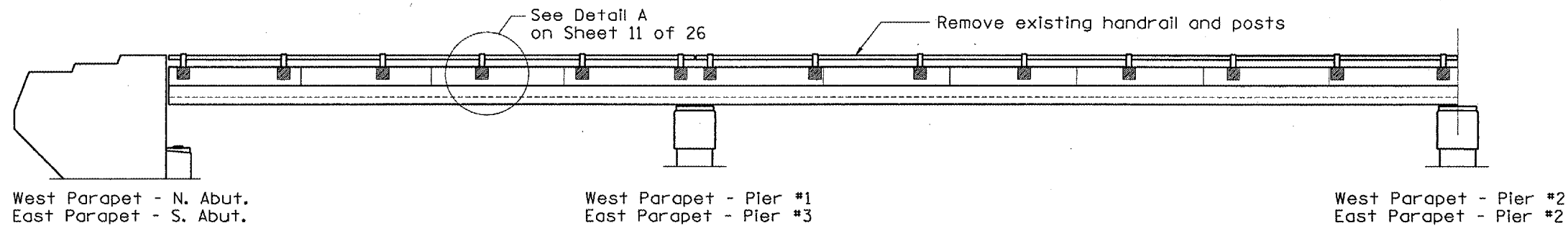
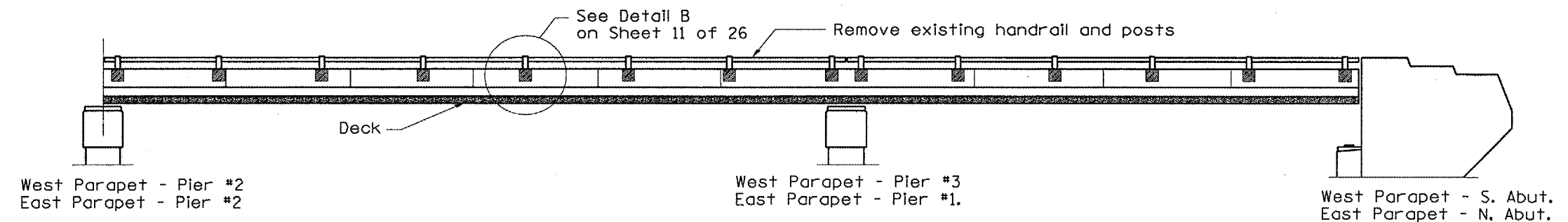
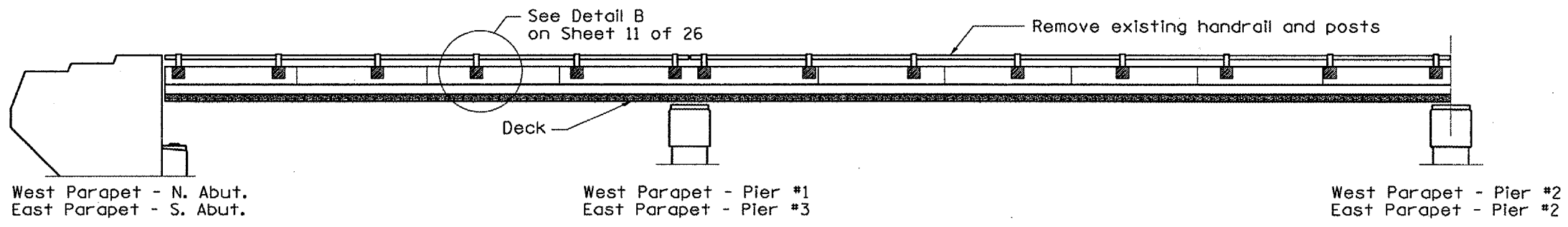


F.A.I. RTE.	SECTION	COUNTY	TOTAL SHEETS	SHEET NO.
80	(50-2HB)I-1	LASALLE	26	10
ILLINOIS			STATE PROJECT	



PARAPET
NORTHBOUND STRUCTURE SHOWN
S.N. 050-0078

 CONCRETE REMOVAL & REPLACEMENT



PARAPET
SOUTHBOUND STRUCTURE SHOWN
S.N. 050-0077

REVISIONS	
NAME	DATE

ILLINOIS DEPARTMENT OF TRANSPORTATION
PARAPET REPAIR DETAILS
IL ROUTE 251 OVER INTERSTATE ROUTE 80
F.A.I. ROUTE 80 SECTION (50-2HB)I-1
LASALLE COUNTY
STATION 569+41.10

DATE: 01/17/2006
c:/projects/cmain07/cm305/details.dgn