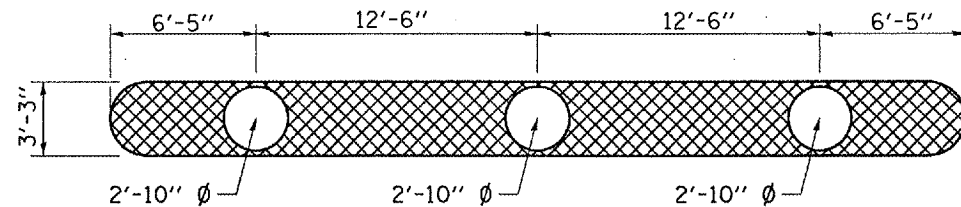
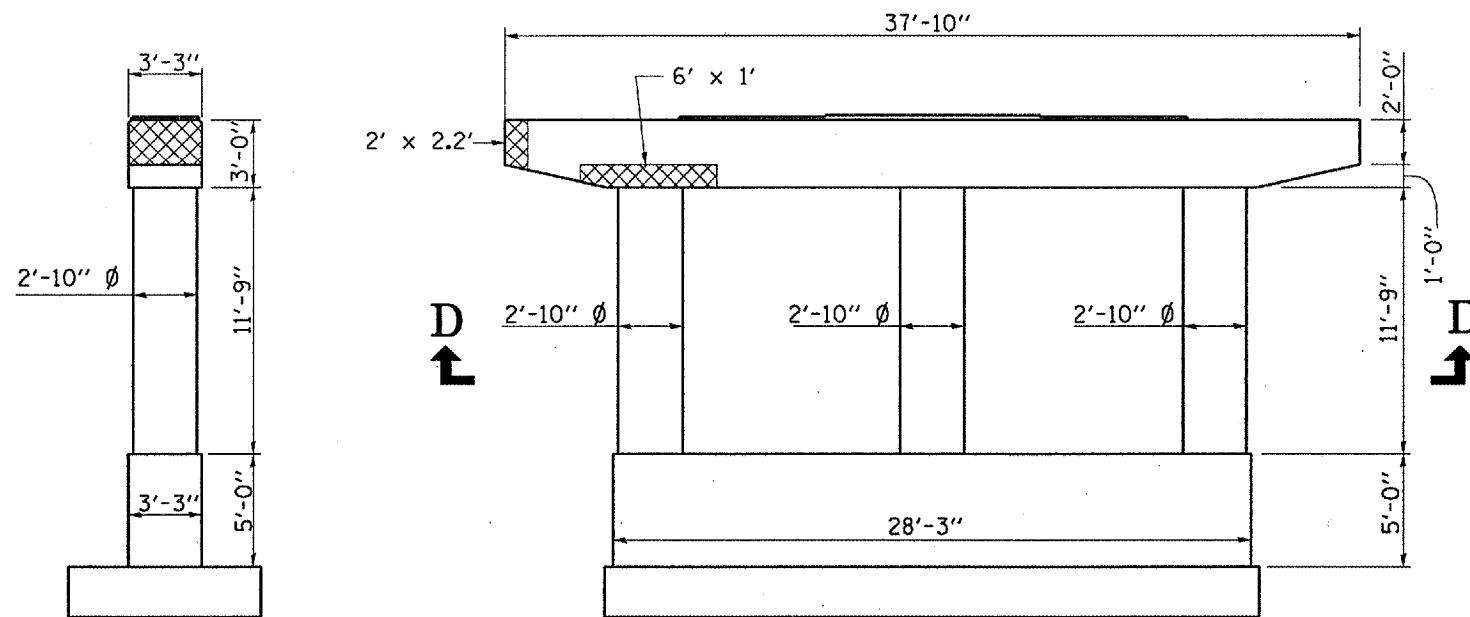


F.A.I. RTE.	SECTION	COUNTY	TOTAL SHEETS	SHEET NO.
80	(50-2HB)I-1	LASALLE	26	15
ILLINOIS			STATE PROJECT	



VIEW D-D



WEST END

SOUTH FACE

EAST END

NORTH FACE

PIER #1

050-0077 SB

BILL OF MATERIAL

Item	Unit	Total
STRUCTURAL REPAIR OF CONCRETE, DEPTH ≤ 5"	SQ. FT.	123

REVISIONS	
NAME	DATE

ILLINOIS DEPARTMENT OF TRANSPORTATION
PIER REPAIR DETAILS
PIER #1 S.N. 050-0077 SBL
 IL ROUTE 251 OVER INTERSTATE ROUTE 80
 F.A.I. ROUTE 80 SECTION (50-2HB)I-1
 LASALLE COUNTY
 STATION 569 + 41.10

DATE 01/17/2006

DRAWN BY RLW

DATE: 01/17/2006
 c:/projects/cmain07/cm305/details.dgn