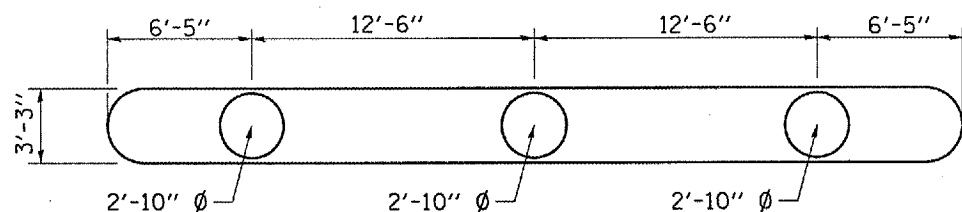


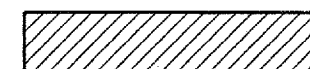
F.A.I. RTE.	SECTION	COUNTY	TOTAL SHEETS	SHEET NO.
80	(50-2HB)I-1	LASALLE	26	17
ILLINOIS			STATE PROJECT	



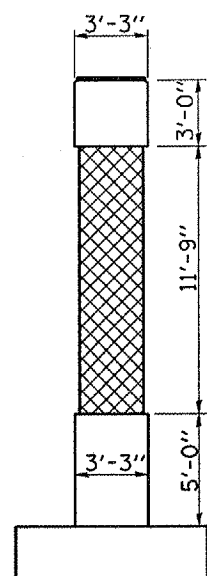
VIEW F-F



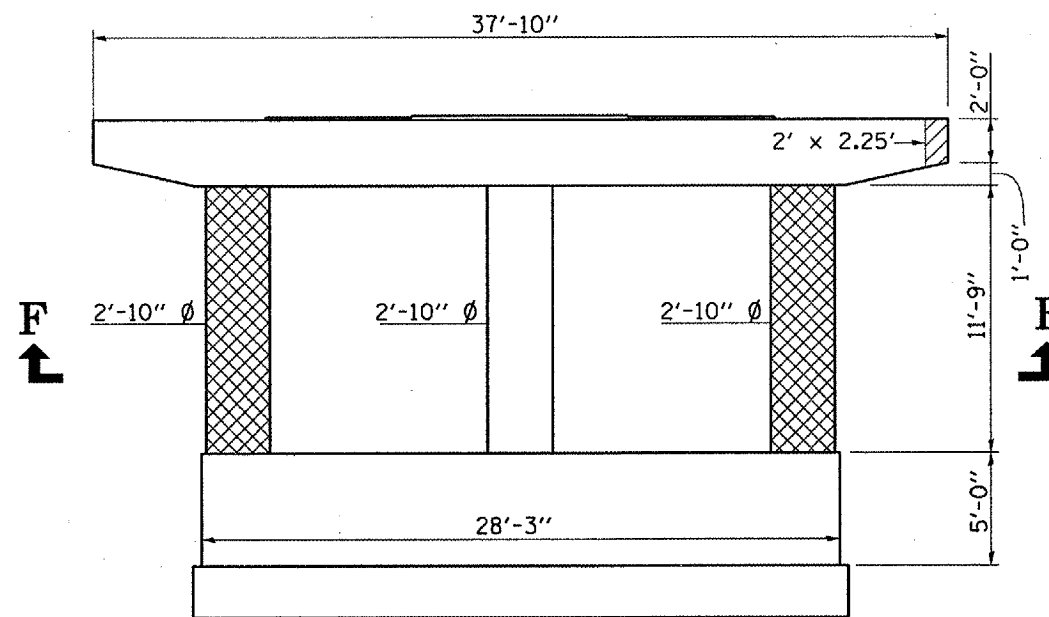
STRUCTURAL REPAIR OF CONCRETE, DEPTH \leq 5"



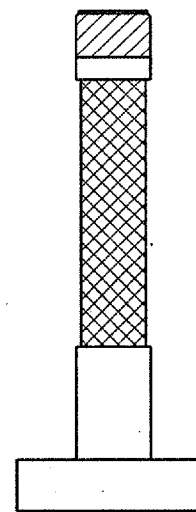
STRUCTURAL REPAIR OF CONCRETE, DEPTH $>$ 5"



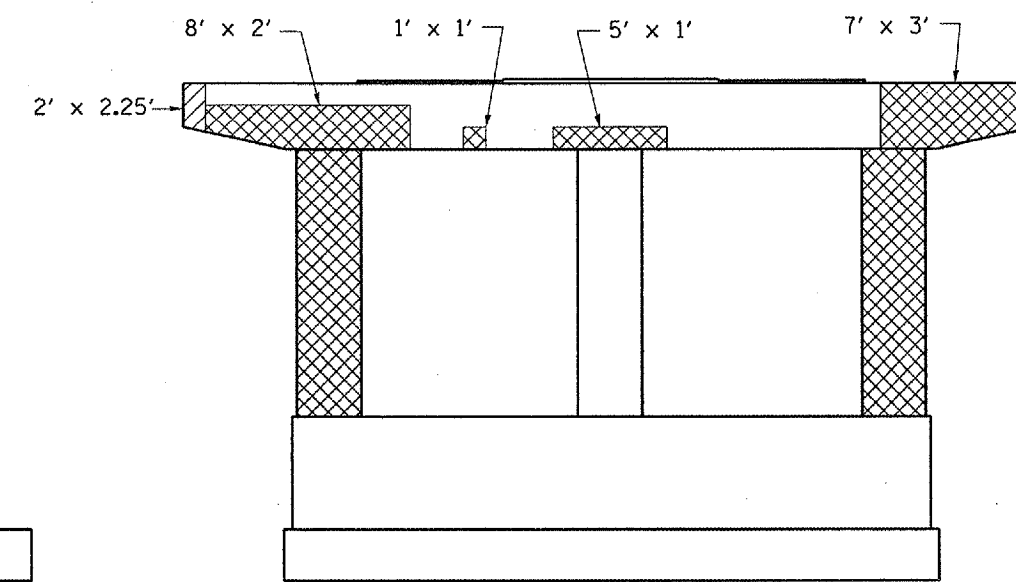
WEST END



SOUTH FACE



EAST END



NORTH FACE

PIER #3

050-0077 SB

BILL OF MATERIAL

Item	Unit	Total
STRUCTURAL REPAIR OF CONCRETE, DEPTH \leq 5"	SQ. FT.	243
STRUCUTRAL REPAIR OF CONCRETE, DEPTH $>$ 5"	SQ. FT.	15.5

REVISIONS	DATE
NAME	

ILLINOIS DEPARTMENT OF TRANSPORTATION
PIER REPAIR DETAILS
PIER #3 S.N. 050-0077 SBL
 IL ROUTE 251 OVER INTERSTATE ROUTE 80
 F.A.I. ROUTE 80 SECTION (50-2HB)I-1
 LASALLE COUNTY
 STATION 569 + 41.10

DATE 01/17/2006

DRAWN BY RLV

DATE: 01/17/2006
 c:/projects/cmin07/cm305/details.dgn