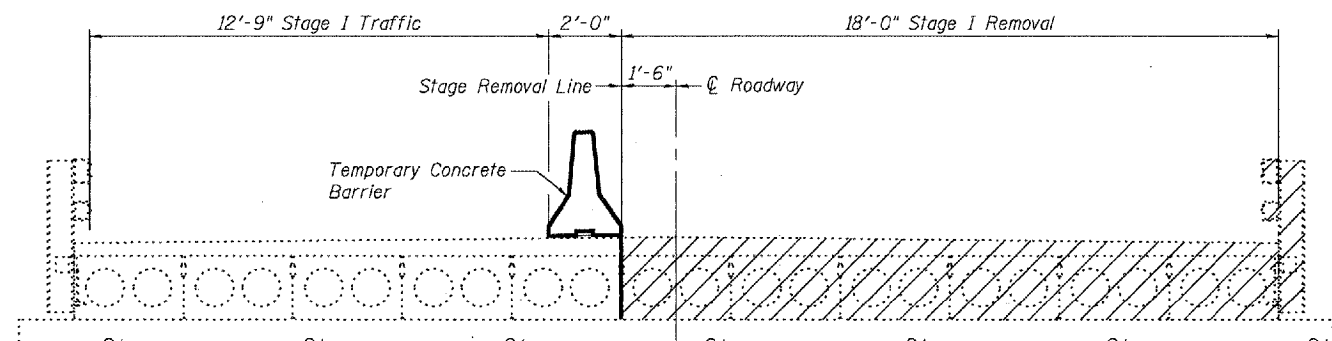
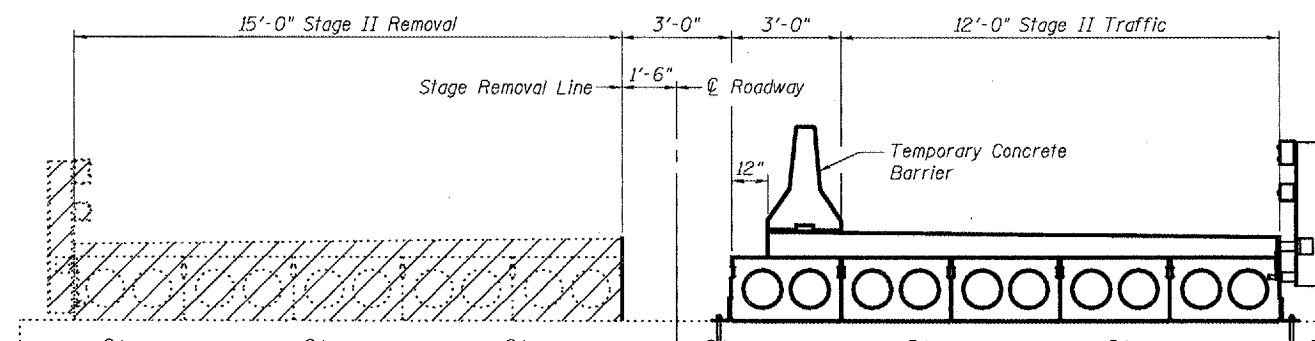


STATE OF ILLINOIS  
DEPARTMENT OF TRANSPORTATION

ROUTE NO.	SECTION	COUNTY	SHEETS	SET	SHEET NO. 2
		Tazewell	13		11 SHEETS
FED. ROAD DIST. NO. 7	ILLINOIS	FED. AID PROJECT	Contract Number: 68484		

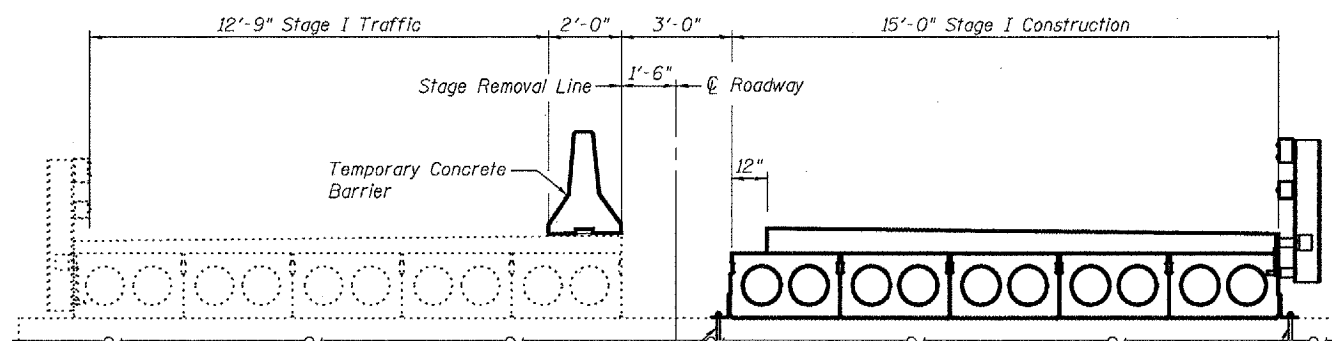


**STAGE I REMOVAL**



**STAGE II REMOVAL**

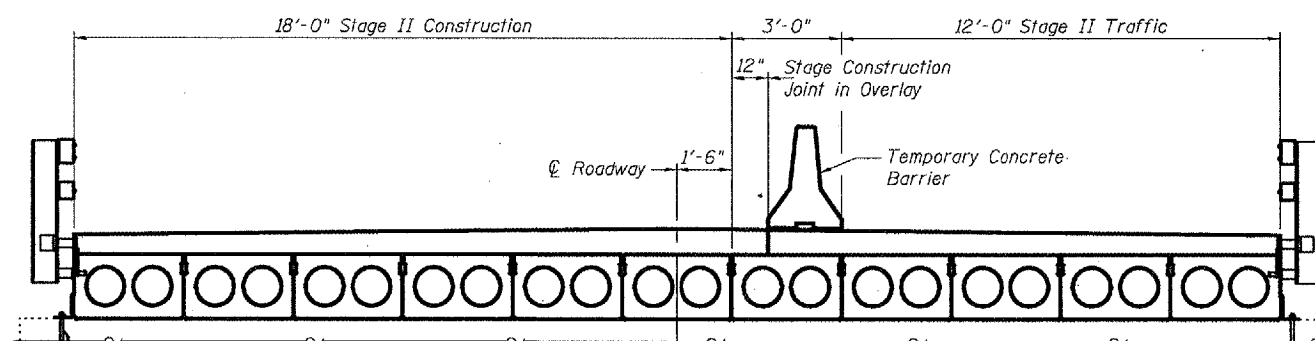
Notes:  
All cross-sections are looking East.  
Cross Hatched area indicates Removal of Existing Superstructure.  
For Temporary Concrete Barrier Details see sheet 10 of 11.  
For Anchor Bolt details see sheet 9 of 11.



Temporary side retainer at Pier only. Remove angle and burn off anchor bolt flush with cap, grind smooth, and seal with epoxy prior to placement of Stage II PPC Deck beam.

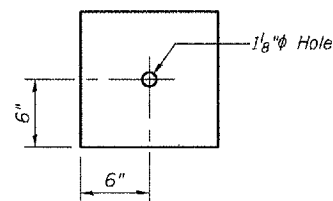
Permanent side retainer at Pier only.

**STAGE I CONSTRUCTION**



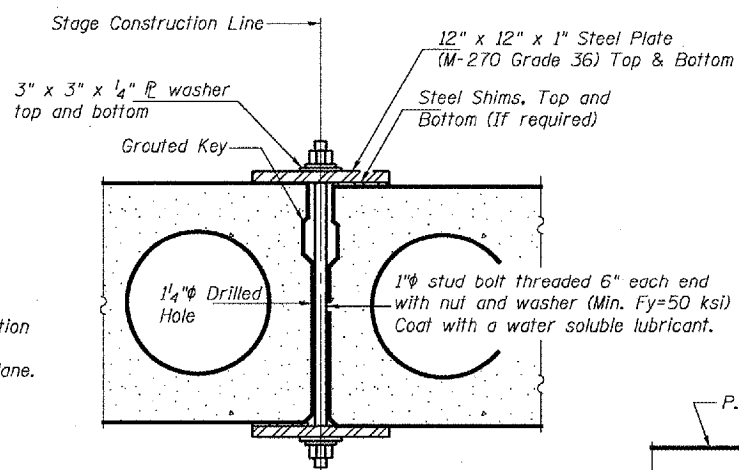
**STAGE II CONSTRUCTION**

The permanent retainers and hardware shall be galvanized after shop fabrication according to AASHTO M 111 and ASTM 385.

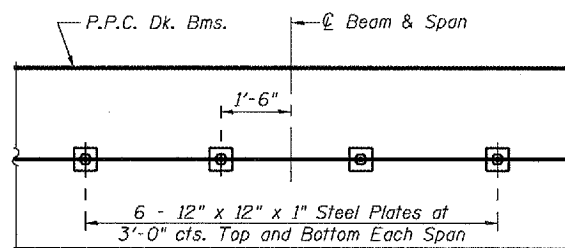


**CLAMPING PLATE**

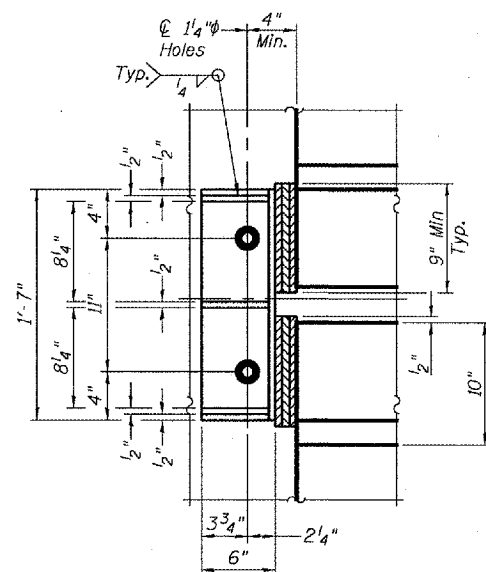
Notes:  
See Special Provisions for Stage Construction Precast Prestressed Concrete Deck Beams.  
See Stage Construction Detail for traffic lane.  
Cost is included with Precast Prestressed Concrete Deck Beams.



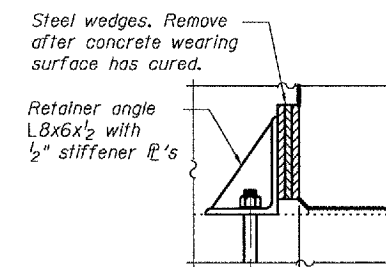
**SECTION AT STAGE CONSTRUCTION LINE**



**PLAN AT STAGE CONSTRUCTION LINE**



**RETAINER ANGLE PLAN**



\* 1/4" x 12" galv. anchor bolt with 2 1/2" x 2 1/2" x 5/16" washer under nut.

**RETAINER ANGLE ELEVATION**

\* Anchor bolts or approved threaded rod may be placed in drilled holes and grouted in place. Cost of retainer, accessories, and galvanizing are included with Precast Prestressed Concrete Deck Beams.

**STAGE CONSTRUCTION DETAILS**  
**IL 122 / SUGAR CREEK**  
**TAZEWELL COUNTY**  
**SN 090-0058**

DESIGNED	P.S.J.
CHECKED	S.J.B.
DRAWN	Drew Christopher
CHECKED	P.S.J. S.J.B.

EXAMINED	John A. Morris	April 24, 2006
PASSED	Ralph E. Anderson	