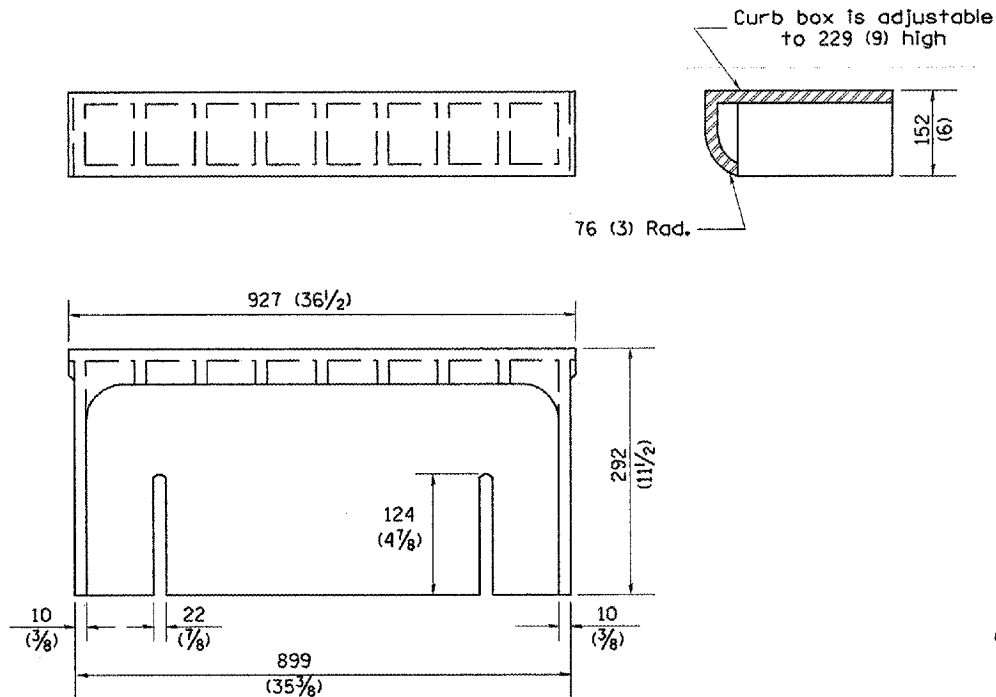
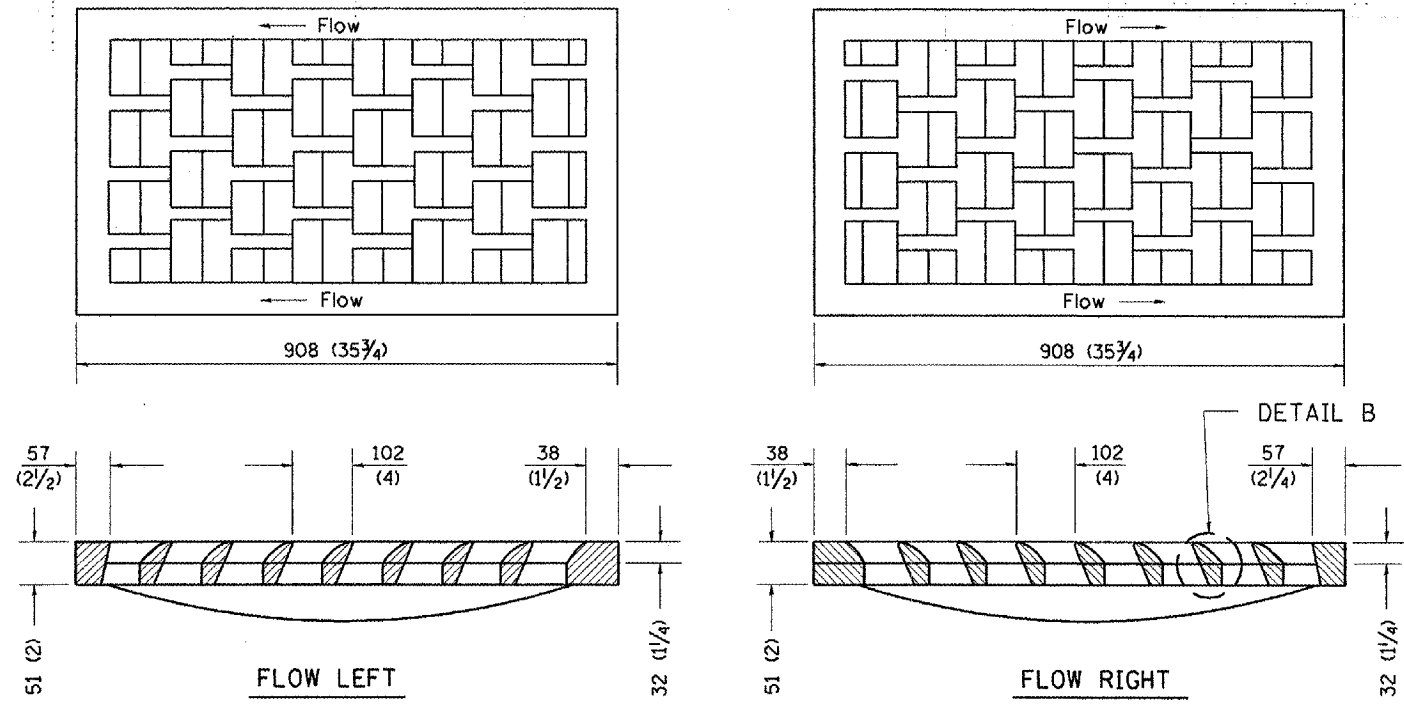


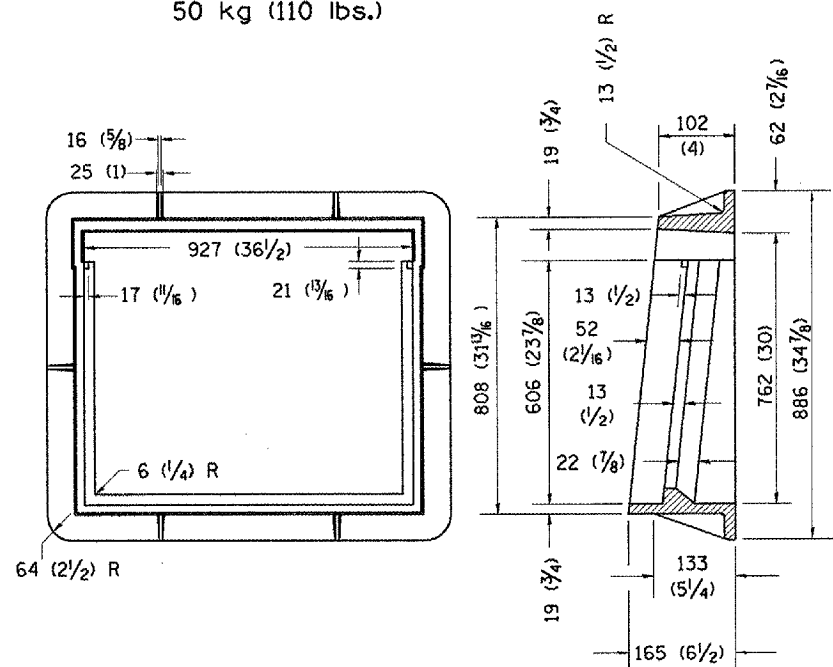
F.A. RTE.	SECTION	COUNTY	TOTAL SHEETS	SHEET NO.
646	1103-DN-5,TS	PEORIA	28	28
STA.	TO STA.			
FED. ROAD DIST. NO.	ILLINOIS FED. AID PROJECT			



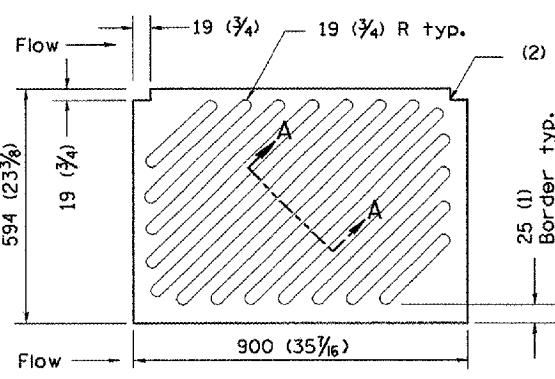
CAST CURB BOX
50 kg (110 lbs.)



CAST VANE GRATES
(SPECIFY LEFT OR RIGHT FLOW)
104 KG (230 lbs.)



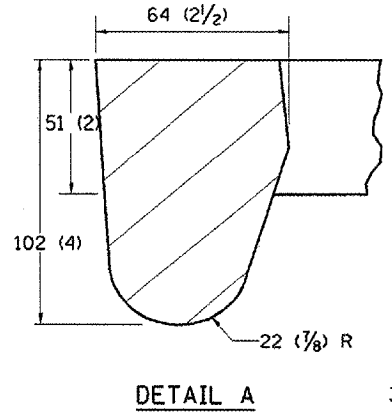
CAST FRAME
123 kg (271 lbs.)



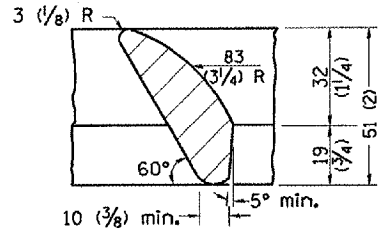
CAST DIAGONAL GRATE
(Reversible for flow)
98 kg (217 lbs.)

GENERAL NOTES

1. The frame and grate shown on this drawing are for use with all TYPE G-1 and TYPE G-1, SPECIAL DRAINAGE STRUCTURES. See plans for grate type and flow direction.
2. Flow direction: As viewed from street side.
3. Material: cast gray iron.



DETAIL A



DETAIL B

All dimensions are in millimeters (inches) unless otherwise noted.

ILLINOIS DEPARTMENT OF TRANSPORTATION		
DISTRICT CADD STANDARD		
FRAME AND GRATES FOR TYPE G-1 AND TYPE G-1, SPECIAL DRAINAGE STRUCTURES		
CADD STANDARD 604001-D4	DRAWN BY	CHECKED BY
SCALE NOT TO SCALE		

DATE	REVISIONS	BY
1-1-97	RENUM. B-10.01, NEW REVISION BOX	T.P.

DATE