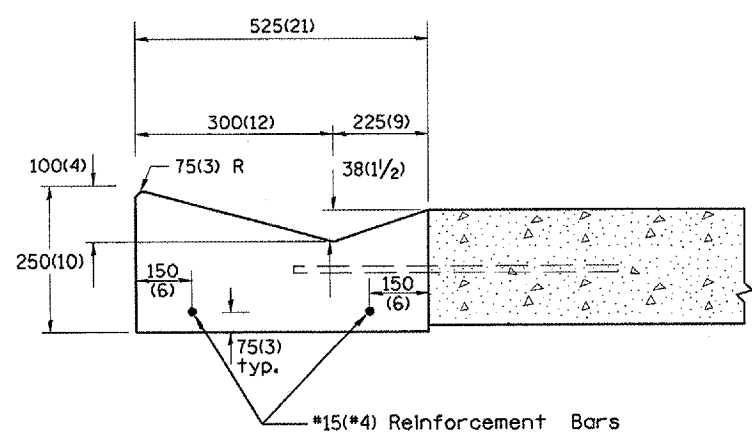
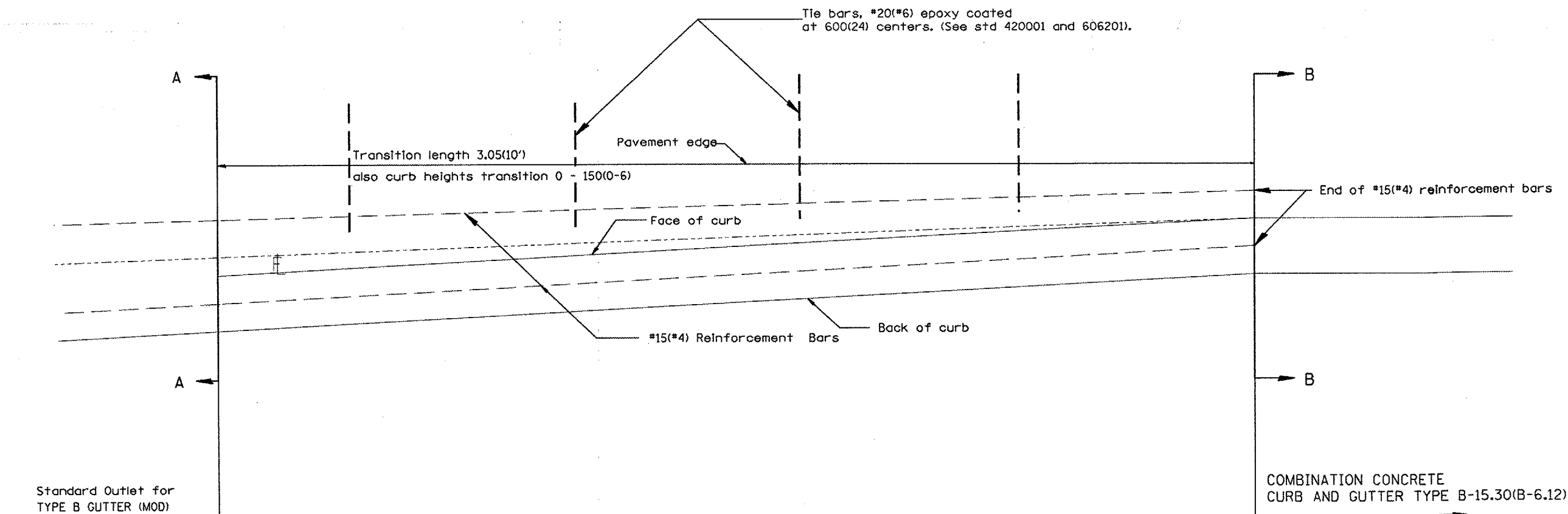
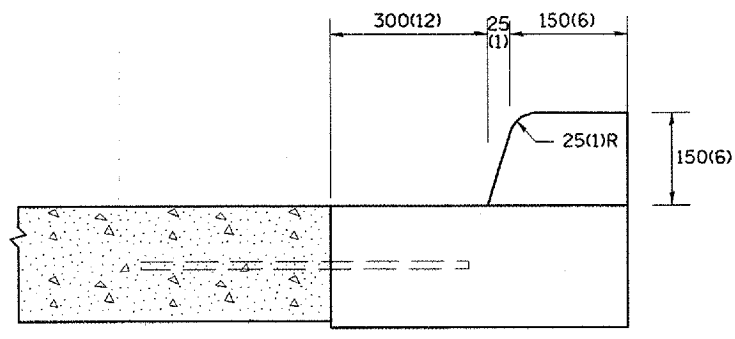


F.A. RTE.	SECTION	COUNTY	TOTAL SHEETS	SHEET NO.
646	1103-10N-5.TS	PEORIA		33
STA.		TO STA.		
FED. ROAD DIST. NO.	ILLINOIS	FED. AID PROJECT		



SECTION A - A



SECTION B - B

GENERAL NOTES:

1. Tie bars shall be constructed in accordance with details for BULKHEAD LONGITUDINAL CONSTRUCTION JOINT shown on Standard 420001.
2. Adjacent to sound existing p.c.c. pavement, tie bars shall be installed in drilled holes in accordance with article 420.10(b).
3. Construction and expansion joints shall be installed in prolongation with joints in the pavement. Joint shall be constructed in accordance with the applicable portion of Art. 606.06 of the Standard Specifications.

All dimensions are in millimeters (inches) unless otherwise noted.

ILLINOIS DEPARTMENT OF TRANSPORTATION
DISTRICT CADD STANDARD

TRANSITION FROM CONCRETE CURB AND GUTTER TYPE B-15.30(B 6.12) TO OUTLET FOR TYPE B GUTTER (MODIFIED)

DATE	REVISIONS	BY
1-1-97	RENUM. A-7.11, METRICS, NEW REVISION BOX, REVISED GENERAL NOTES, ELIMINATED EXPANSION TIE ANCHORS	T.P.

CADD STANDARD 606206-D4
SCALE: NONE
DRAWN BY: CADD
CHECKED BY:

\$\$\$DATE\$\$\$