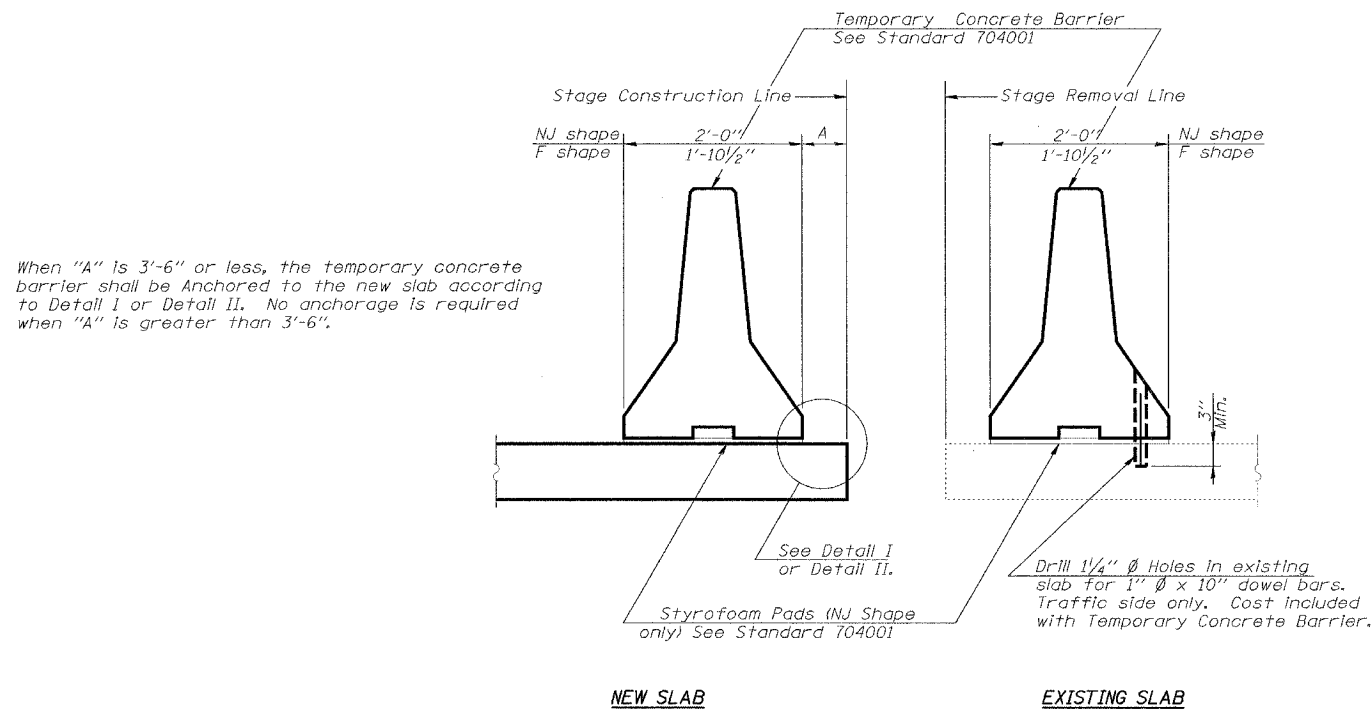


ROUTE NO.	SECTION	COUNTY	TOTAL SHEETS	SHEET NO.
F.A.P. 714	*	CHRISTIAN	94	59
FED. ROAD DIST. NO.	ILLINOIS	FED. AID PROJECT		

SHEET NO. 3  
OF 8 SHEETS

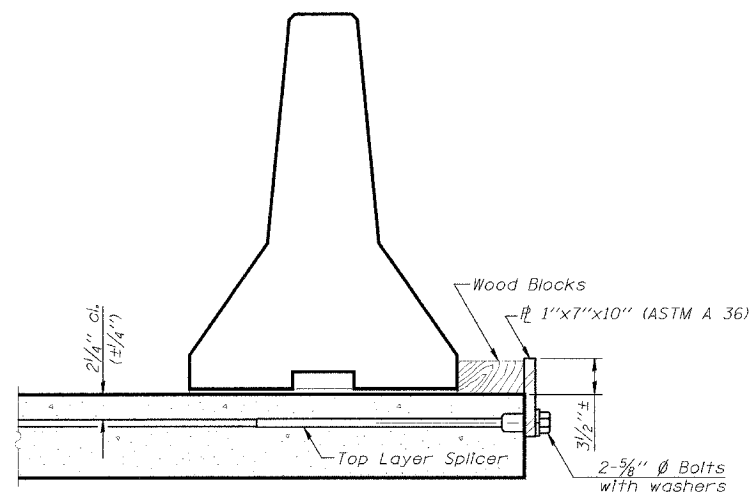
\* D-6 IL. 48 IMPROVEMENT 2006

STATE OF ILLINOIS  
DEPARTMENT OF TRANSPORTATION

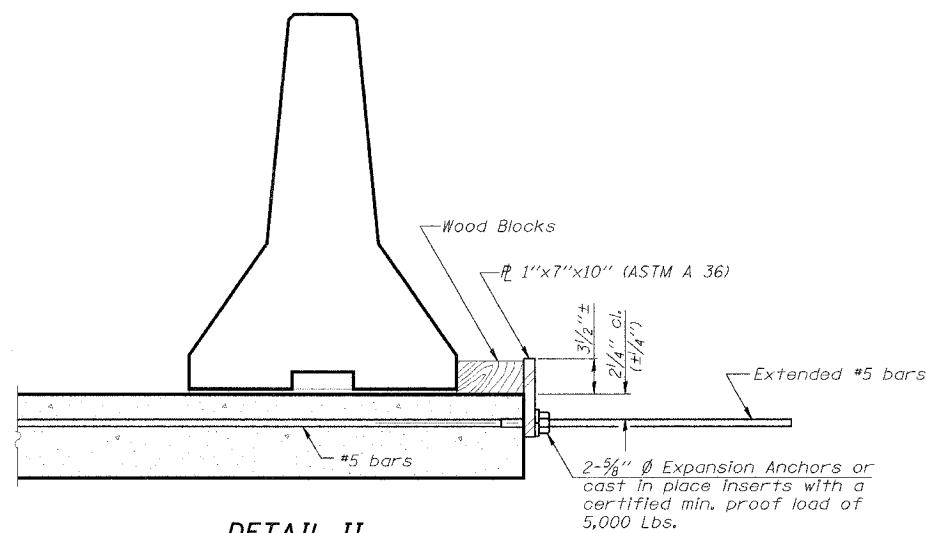


NOTES

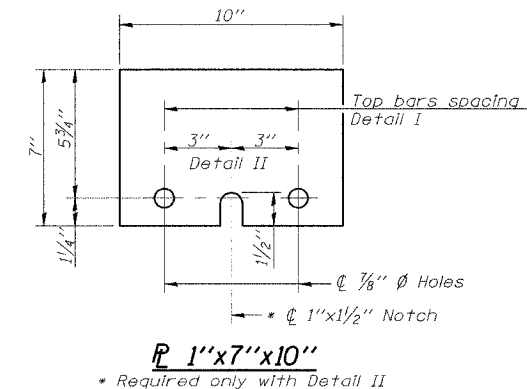
- Detail I - With Bar Splicer or Couplers:  
Connect one (1) 1"x7"x10" steel plate to the top layer of couplers with 2-5/8" Ø bolts screwed to coupler at approximate center of each barrier panel.
- Detail II - With Extended Reinforcement Bars:  
Connect one (1) 1"x7"x10" steel plate to the concrete slab with 2-5/8" Ø Expansion Anchors or cast in place Inserts spaced between the top layer of reinforcement at approximate center of each barrier panel.
- Cost of anchorage is included with Temporary Concrete Barrier.



The 1"x7"x10" Plate shall not be removed until Stage II Construction forms and reinforcement bars are in place.



The 1"x7"x10" Plate shall not be removed until Stage II Construction forms and all reinforcement bars are in place and the concrete is ready to be placed.



TEMPORARY CONCRETE BARRIER  
FOR STAGE CONSTRUCTION  
IL. ROUTE 48 OVER  
TRIBUTARY TO BUCKHART CREEK  
F.A.P. ROUTE 714 - SECTION  
D-6 IL 48 IMPROVEMENT 2006  
CHRISTIAN COUNTY  
STA. 3+01.00  
S.N. 011-2512

FILE NAME: STRUCTURE (REV. 3/2/03)