

CONTRACT NO. 72A39

F.A.I. RTE.	SECTION	COUNTY	TOTAL SHEETS	SHEET NO.
FR55	(84-2-1)RS3	SANGAMON	5	1

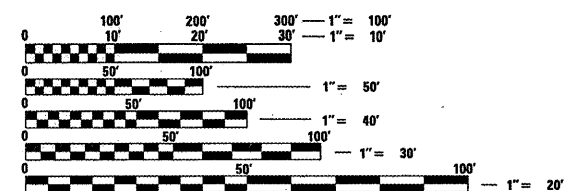
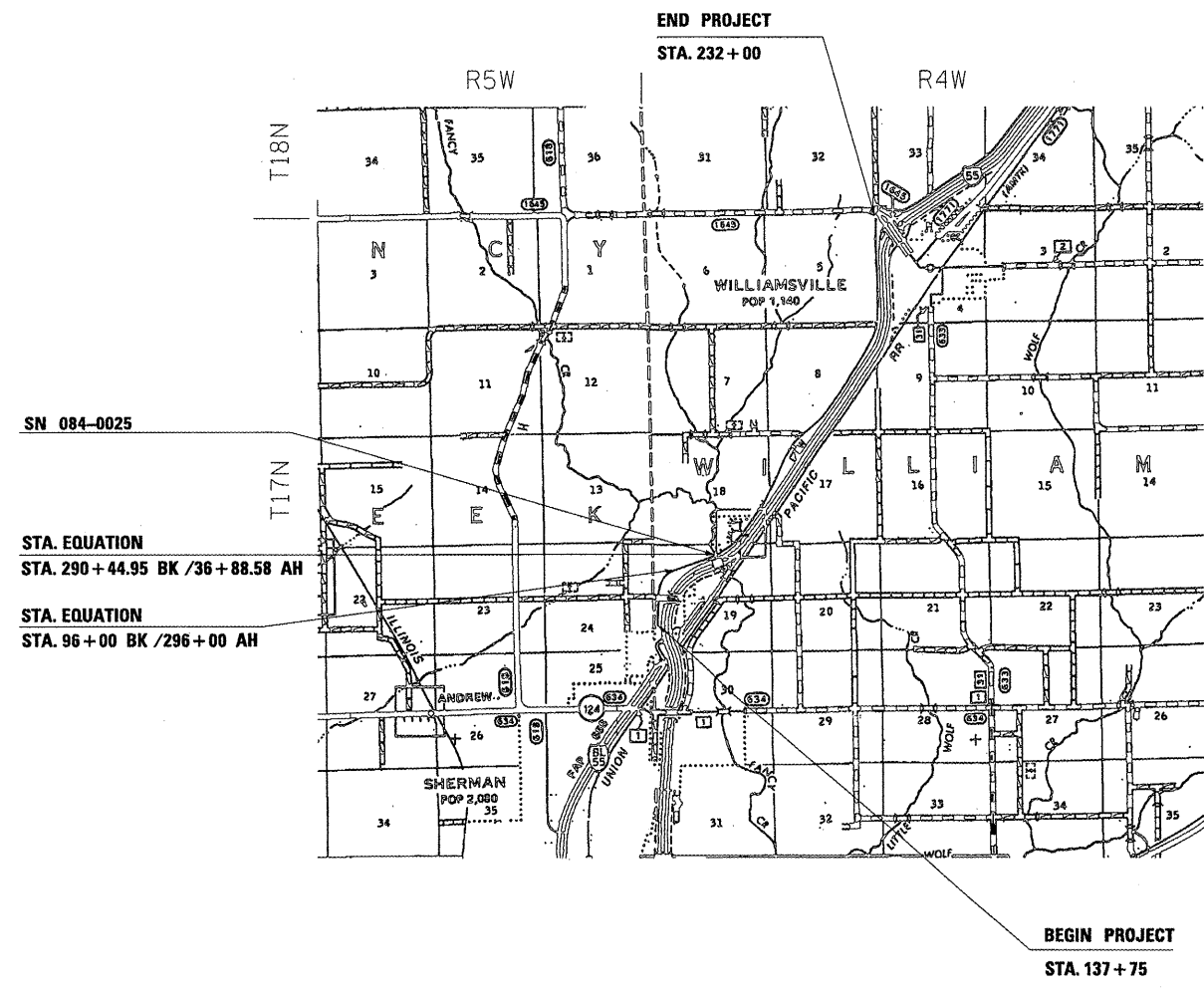
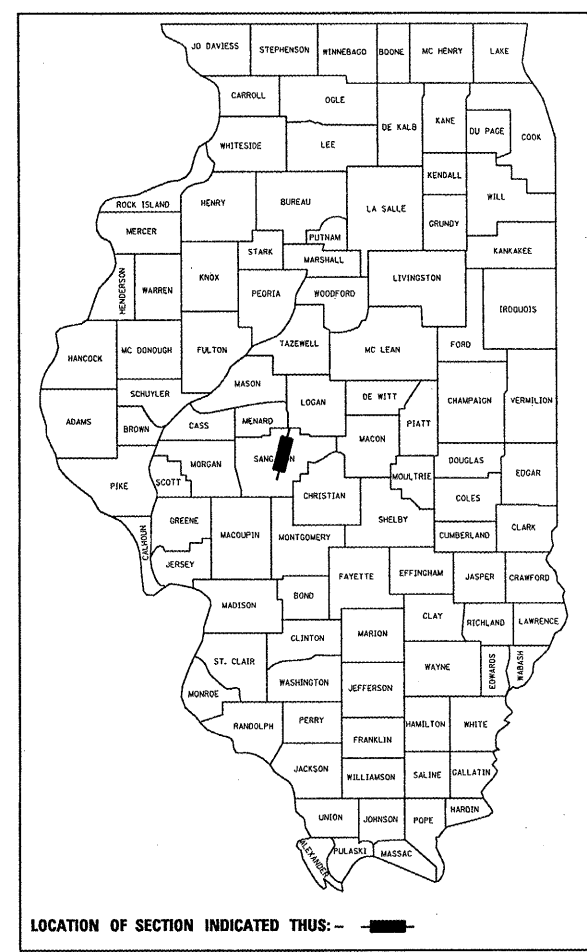
STATE OF ILLINOIS
DEPARTMENT OF TRANSPORTATION
DIVISION OF HIGHWAYS

PROPOSED HIGHWAY PLANS

FAI ROUTE 55 5 29.340 (FR I-55 WEST); FAU 8091
SECTION (84-2-1) RS-3; (84-1-2) RS-3
PROJECT
C-96-509-07
SANGAMON COUNTY

FOR INDEX OF SHEETS, SEE SHEET NO. 2

D-96-517-06



FULL SIZE PLANS HAVE BEEN PREPARED USING STANDARD ENGINEERING SCALES. REDUCED SIZED PLANS WILL NOT CONFORM TO STANDARD SCALES. IN MAKING MEASUREMENTS ON REDUCED PLANS, THE ABOVE SCALES MAY BE USED.

J.U.L.I.E.
JOINT UTILITY LOCATION INFORMATION FOR EXCAVATION
1-800-892-0123

STATE OF ILLINOIS
DEPARTMENT OF TRANSPORTATION
DIVISION OF HIGHWAYS

SUBMITTED *March 30, 2006*
Christy M. Reed
DEPUTY DIRECTOR OF HIGHWAYS, REGION ENGINEER

May 12, 2006
Mike Hene
ENGINEER OF DESIGN AND ENVIRONMENT

May 12, 2006
Milton R. Sees, P.E.
DIRECTOR OF HIGHWAYS, CHIEF ENGINEER

PRINTED BY THE AUTHORITY
OF THE STATE OF ILLINOIS

PROJECT ENGINEER: JOHN NEGANGARD 782-6990 SQUAD LEADER: VINCE MADONIA 785-9046

CONTRACT NO. 72A39

CONTRACT NO.				
F.A.I. RTE.	SECTION	COUNTY	TOTAL SHEETS	SHEET NO.
FR55	(84-2-1) RS3	SANGAMON		2
STA.		TO STA.		
FED. ROAD DIST. NO. 6 ILLINOIS FED. AID PROJECT				

INDEX OF SHEETS

1. COVER SHEET
2. INDEX OF SHEETS, LIST OF STANDARDS, GENERAL NOTES AND COMMITMENTS, MIXTURE REQUIREMENTS
3. SUMMARY OF QUANTITIES
4. SCHEDULES
5. TYPICAL SECTIONS

STANDARDS

- 00001-04
- 701001-01
- 701006-02
- 701306-01
- 702001-06
- 701011-01
- 701301-02
- 701311-02

GENERAL NOTES AND COMMENTS

1. ALL ENTRANCES CURRENTLY IN USE SHALL REMAIN ACCESSIBLE BOTH DURING AND AFTER CONSTRUCTION.
2. THE FIELD/RESIDENT ENGINEER SHALL CONTACT STUDIES AND PLANS CONCERNING ANY MAJOR PLAN CHANGES TO MAKE SURE NO PREVIOUS COMMITMENTS (NOT LISTED) WERE MADE AFFECTING THE DESIGN, AND ALLOW AN IMPROVED DESIGN FOR FUTURE PROJECTS.
3. NO LANE CLOSURES WILL BE ALLOWED WITHOUT FLAGGER PROTECTION.

MIXTURE USE(S)	LEVEL BINDER
PG	PG 64-22
RAP % (MAX)	15%
DESIGN AIR VOIDS	4.0% @ N DESIGN = 70
MIX COMPOSITION (GRADATION MIXTURE)	IL 9.5
FRICTION AGGREGATE	NA

DISTRICT SIX

EXAMINED March 29 20 06
Franz Nees
 OPERATIONS ENGINEER

EXAMINED March 29 20 06
W. R. Frey, P.E.
 PROGRAM IMPLEMENTATION ENGINEER

EXAMINED MARCH 30 20 06
William E. Martin
 PROGRAM DEVELOPMENT ENGINEER

PLOT DATE = 3/29/2006
 FILE NAME = c:\projects\1651705\1651705.dgn
 PLOT SCALE = 1/8"=1'-0"
 USER NAME = wht@pc

REVISIONS		ILLINOIS DEPARTMENT OF TRANSPORTATION general notes FR I-55 (FR I-55 WEST) SECTION(84-2-1)RS-3;(84-1-2)RS-3 SANGAMON COUNTY
NAME	DATE	
SCALE:	VERT. DATE	HORIZ. DRAWN BY CHECKED BY

CONTRACT NO.				
F.A.I. RTE.	SECTION	COUNTY	TOTAL SHEETS	SHEET NO.
FR55	(84-2-1) RS3	SANGAMON		3
STA.		TO STA.		
FED. ROAD DIST. NO. 6		ILLINOIS FED. AID PROJECT		

Pay Code	Item	Unit	Total	FR I 55 W I000 100% STATE Total
40300300	BITUMINOUS MATERIALS (COVER AND SEAL COATS)	GALLON	43096	43096
40300500	COVER COAT AGGREGATE	TON	673	673
40300600	SEAL COAT AGGREGATE	TON	673	673
40600200	BITUMINOUS MATERIALS (PRIME COAT)	TON	15	15
40600300	AGGREGATE (PRIME COAT)	TON	80	80
67100100	MOBILIZATION	L SUM	1	1
70100460	TRAFFIC CONTROL AND PROTECTION, STANDARD 701306	L SUM	1	1
X4066770	LEVELING BINDER (MACHINE METHOD), SUPERPAVE N70	TON	1685	1685

PLOT DATE = 3/28/2006
 PLOT SCALE = 1/8"=1'-0"
 USER NAME = gallowayj

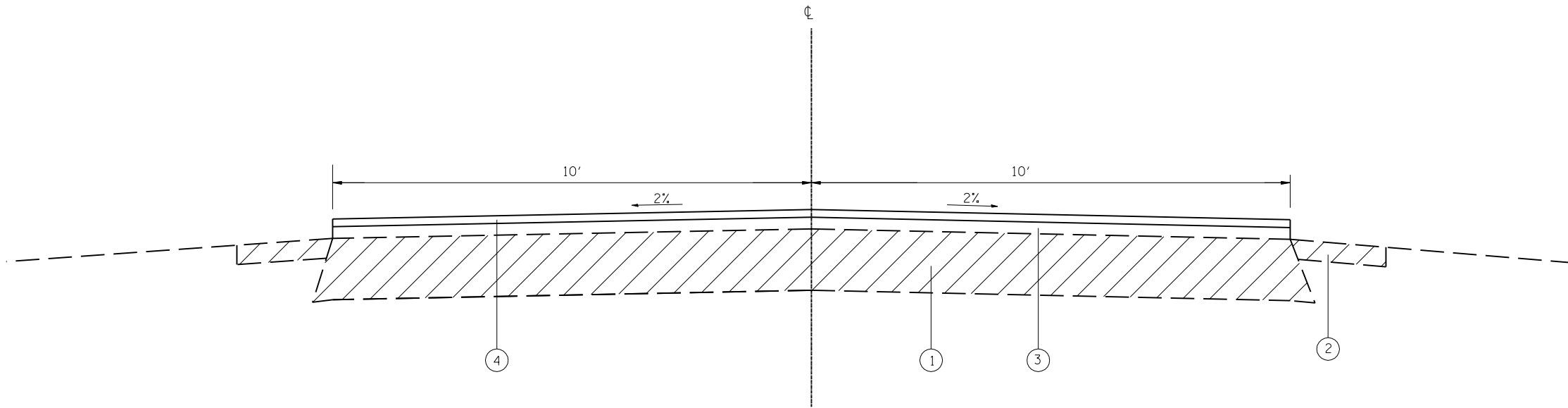
REVISIONS	
NAME	DATE

ILLINOIS DEPARTMENT OF TRANSPORTATION
 SUMMARY OF QUANTITIES
 FR I-55 WEST
 FAI ROUTE 55 S 29.340 SECTION (84-2-1) RS-3;
 (84-1-2)RS-3
 SANGAMON COUNTY
 SCALE: VERT. DRAWN BY
 HORIZ. CHECKED BY
 DATE

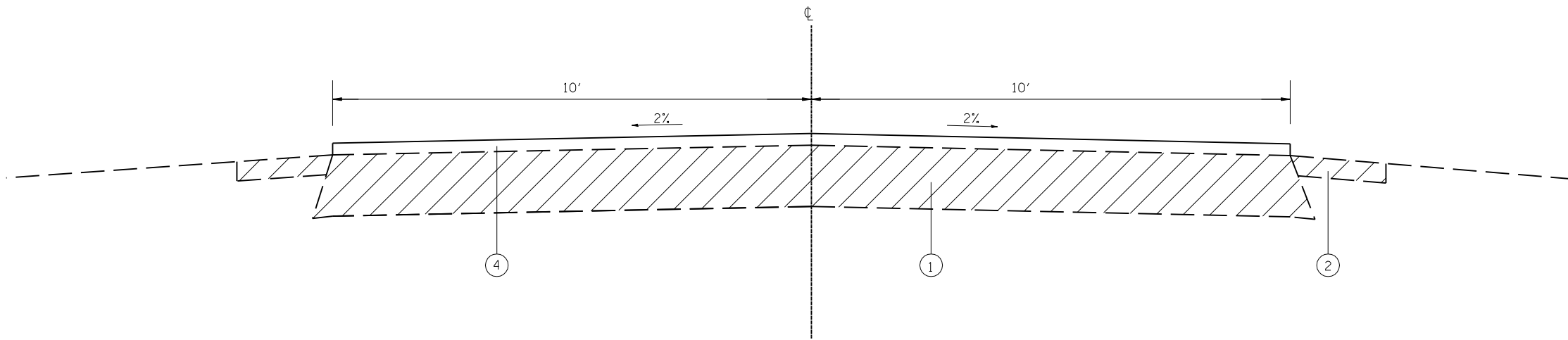
F.A.I. RTE.	SECTION	COUNTY	TOTAL SHEETS	SHEET NO.
FR55	(B4-2-1) RS3	SANGAMON	5	5
STA.		TO STA.		
FED. ROAD DIST. NO. 6		ILLINOIS	FED. AID PROJECT	

LEGEND

- ① EXISTING BIT. PAVEMENT
- ② EXISTING AGG. SHLDR.
- ③ PROPOSED 3/4" LEVEL BINDER
- ④ PROPOSED A-2 SURFACE TREATMENT



TYPICAL SECTION
STA. 51+42 to 232+00



TYPICAL SECTION
STA 137+75 TO STA 96+00
STA 296+00 TO STA 290+44.95
STA 36+88.58 TO STA 51+42

REVISIONS	
NAME	DATE

ILLINOIS DEPARTMENT OF TRANSPORTATION
TYPICAL SECTIONS
FAI ROUTE 55 5 290340 (FR I-55 WEST)
SECTION
SANGAMON COUNTY

SCALE: VERT. N/A
HORIZ.
DATE JAN 2004

DRAWN BY JJB
CHECKED BY VJM

PLOT DATE : \$DATE\$
FILE NAME : \$FILEL\$
PLOT SCALE : \$SCALE\$
USER NAME : \$USER\$

DGN-SPEC
DATE-TIME \$TIME\$ *USER*