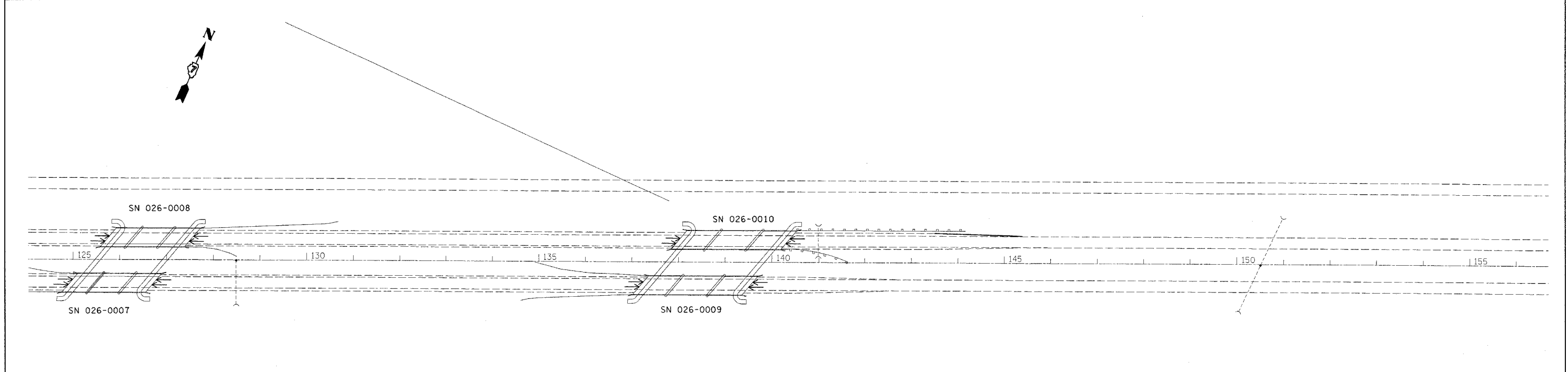
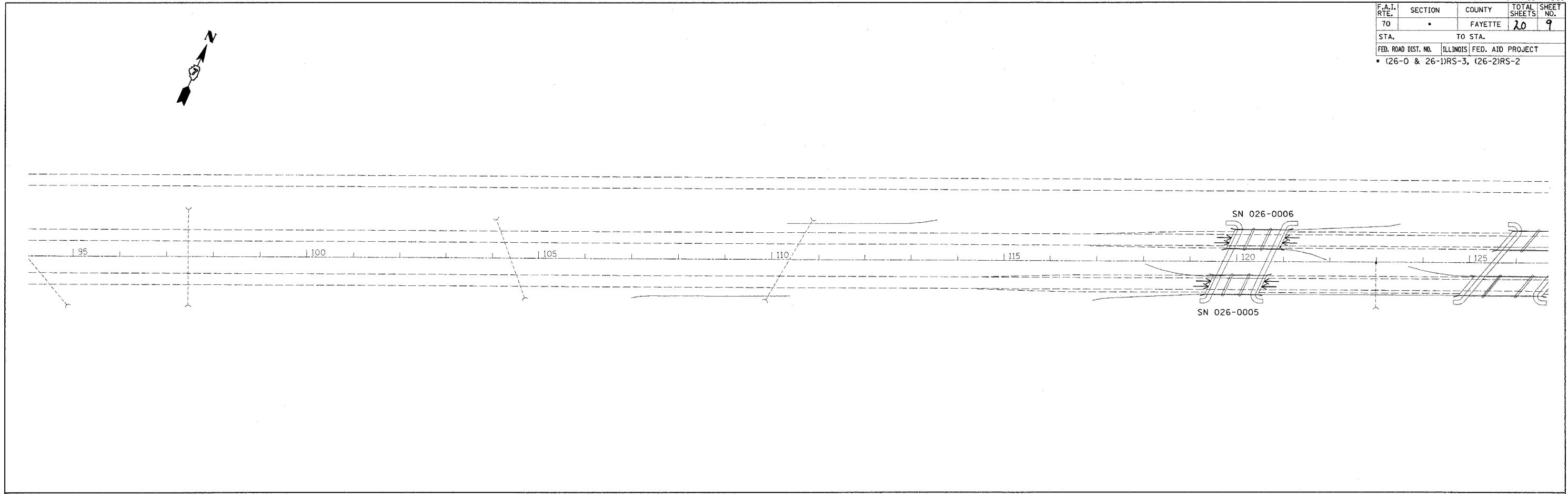


F.A.I. RTE.	SECTION	COUNTY	TOTAL SHEETS	SHEET NO.
70		FAYETTE	20	9
STA.		TO STA.		
FED. ROAD DIST. NO.		ILLINOIS FED. AID PROJECT		
• (26-0 & 26-1)RS-3, (26-2)RS-2				

district
 10/24/2005
 c:\projects\74061\d04104pa.dgn
 PS 3



PLOT DATE = 10/24/2005
 FILE NAME = #FILE#
 PLOT SCALE = #SCALE#
 USER NAME = district

REVISIONS	
NAME	DATE

ILLINOIS DEPARTMENT OF TRANSPORTATION

**STATION 95 + 00
TO
STATION 155 + 00**

SCALE: VERT. _____
 HORIZ. _____

DATE _____ DRAWN BY _____
 CHECKED BY _____