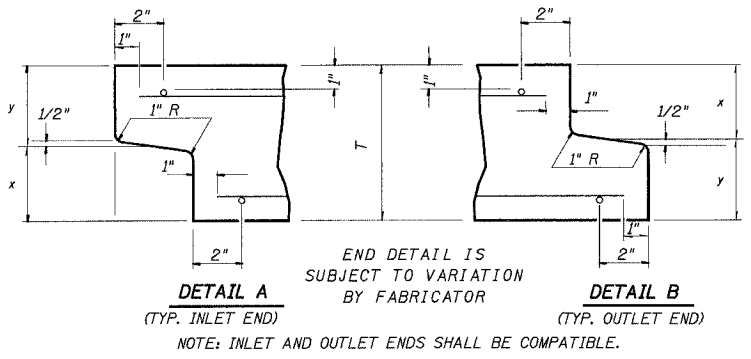


# DETAIL OF PRECAST CONCRETE BOX CULVERT M259M

AASHTO DESIGNATION M259M  
(ASTM DESIGNATION C-789M)  
DESIGN LOADING = MS18



END DETAIL IS SUBJECT TO VARIATION BY FABRICATOR

**DETAIL A**  
(TYP. INLET END)

**DETAIL B**  
(TYP. OUTLET END)

NOTE: INLET AND OUTLET ENDS SHALL BE COMPATIBLE.

CULVERT SIZE	DIMENSIONS			
	T (INCHES)	A FT-IN	B FT-IN	C (INCHES)
2x2	4	2-8	2-8	4
3x2	4	3-8	2-8	4
3x3	4	3-8	3-8	4
4x2	5	4-10	2-10	5
4x3	5	4-10	3-10	5
4x4	5	4-10	4-10	5
5x2	6	6-0	3-0	6
5x3	6	6-0	4-0	6
5x4	6	6-0	5-0	6
5x5	6	6-0	6-0	6
6x2	7	7-2	3-2	7
6x3	7	7-2	4-2	7
6x4	7	7-2	5-2	7
6x5	7	7-2	6-2	7
6x6	7	7-2	7-2	7
7x4	8	8-4	5-4	8
7x5	8	8-4	6-4	8
7x6	8	8-4	7-4	8
7x7	8	8-4	8-4	8
8x4	8	9-4	5-4	8
8x5	8	9-4	6-4	8
8x6	8	9-4	7-4	8
8x7	8	9-4	8-4	8
8x8	8	9-4	9-4	8
9x5	9	10-6	6-6	9
9x6	9	10-6	7-6	9
9x7	9	10-6	8-6	9
9x8	9	10-6	9-6	9
9x9	9	10-6	10-6	9
10x5	10	11-8	6-8	10
10x6	10	11-8	7-8	10
10x7	10	11-8	8-8	10
10x8	10	11-8	9-8	10
10x9	10	11-8	10-8	10
10x10	10	11-8	11-8	10
11x4	11	12-10	5-10	11
11x6	11	12-10	7-10	11
11x8	11	12-10	9-10	11
11x10	11	12-10	11-10	11
11x11	11	12-10	12-10	11
12x4	12	14-0	6-0	12
12x6	12	14-0	8-0	12
12x8	12	14-0	10-0	12
12x10	12	14-0	12-0	12
12x12	12	14-0	14-0	12

**GENERAL NOTES**

SHOP PLANS FOR THE REINFORCEMENT SHALL BE SUBMITTED IN ACCORDANCE WITH THE REQUIREMENTS OF ARTICLE 504.04(d) OF THE STANDARD SPECIFICATIONS.

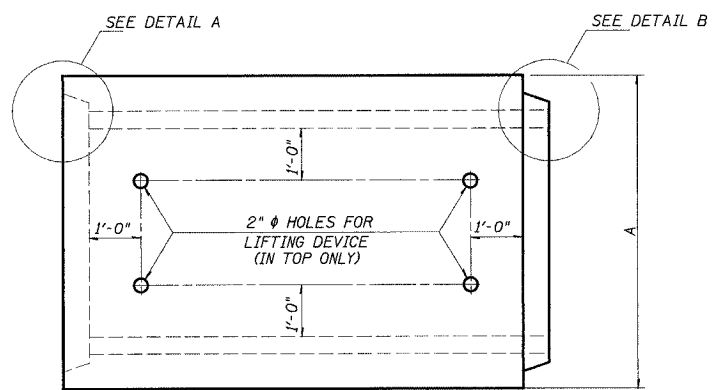
MINIMUM CONCRETE STRENGTH SHALL BE 5000 PSI AFTER 28 DAYS.

THE JOINTS OF THE PRECAST BOX SECTIONS SHALL BE SEALED IN ACCORDANCE WITH ARTICLE 542.04(d) OF THE STANDARD SPECIFICATIONS FOR ROAD AND BRIDGE CONSTRUCTION.

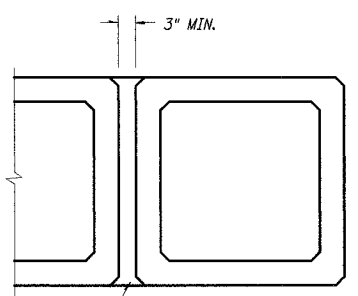
THE TERMS  $A_{S1}$ ,  $A_{S2}$ , AND  $A_{S3}$  DENOTE THE REQUIRED STEEL AREAS FOR REINFORCEMENT AS SPECIFIED IN ASSHTO M259M. REINFORCEMENT SHALL BE WELDED WIRE FABRIC CONFORMING TO ASSHTO M55M.

LIFTING HOLES SHALL BE FILLED WITH CONCRETE PLUGS AND MASTIC AFTER THE BOX SECTIONS ARE IN PLACE.

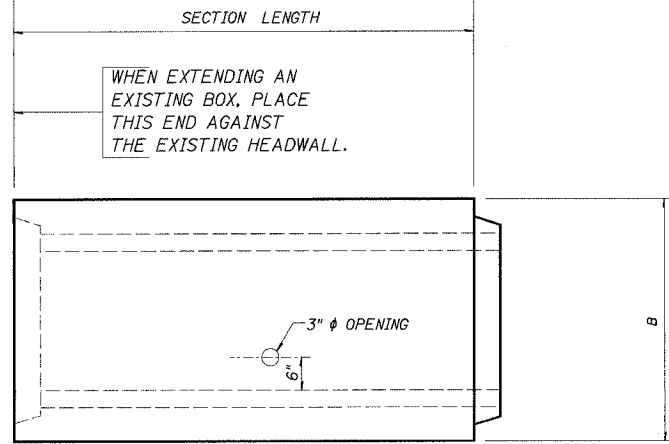
DRAINAGE OPENINGS SHALL BE PROVIDED IN ACCORDANCE WITH ARTICLE 503.12 OF THE STANDARD SPECIFICATIONS. LOCATION AND SPACING OF THE OPENINGS SHALL BE SHOWN ON THE SHOP DRAWINGS.



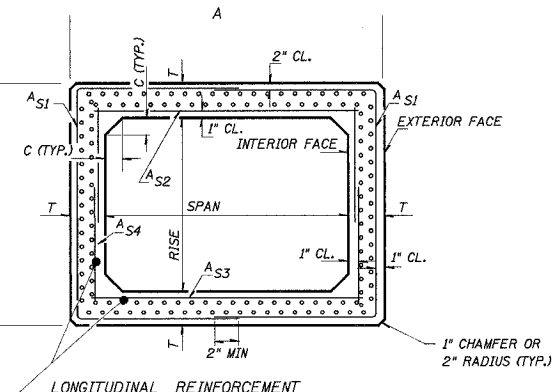
**PLAN**  
LOCATION OF LIFTING HOLES MAY BE VARIED AS NEEDED TO CLEAR REINFORCEMENT.



**MULTIPLE UNIT PLACEMENT**



**ELEVATION**



**CROSS SECTION**

REVISIONS	
NAME	DATE

ILLINOIS DEPARTMENT OF TRANSPORTATION  
**DETAIL OF PRECAST  
CONCRETE BOX  
CULVERT SECTION**  
F.A.P. 750 (IL. RTE. 185)  
SECTION 112 - FAYETTE CO.

SCALE: \_\_\_\_\_ DRAWN BY: CRO  
DATE: September 23, 2005 CHECKED BY: RCY

DATE: \_\_\_\_\_ BY: \_\_\_\_\_  
PLAN: \_\_\_\_\_  
NO. \_\_\_\_\_

DATE: \_\_\_\_\_ BY: \_\_\_\_\_  
PLAN: \_\_\_\_\_  
NO. \_\_\_\_\_

J:\2003\030045\0002\civil\phase 1\kgd\cgm\pl\750\_detail.sheets.dgn 9/21/2005 4:20:56 PM