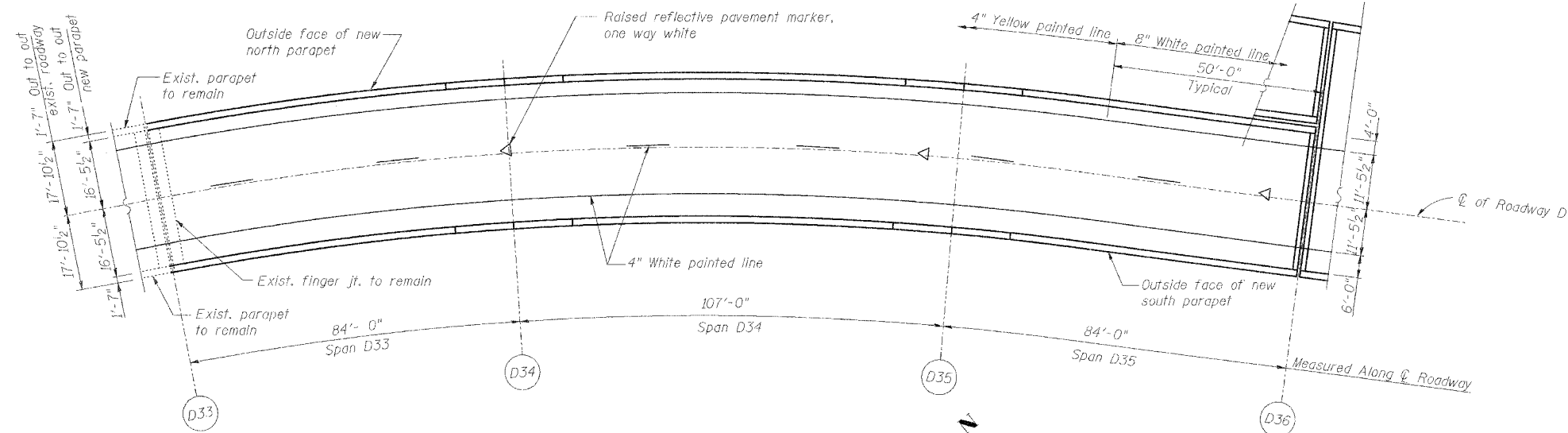


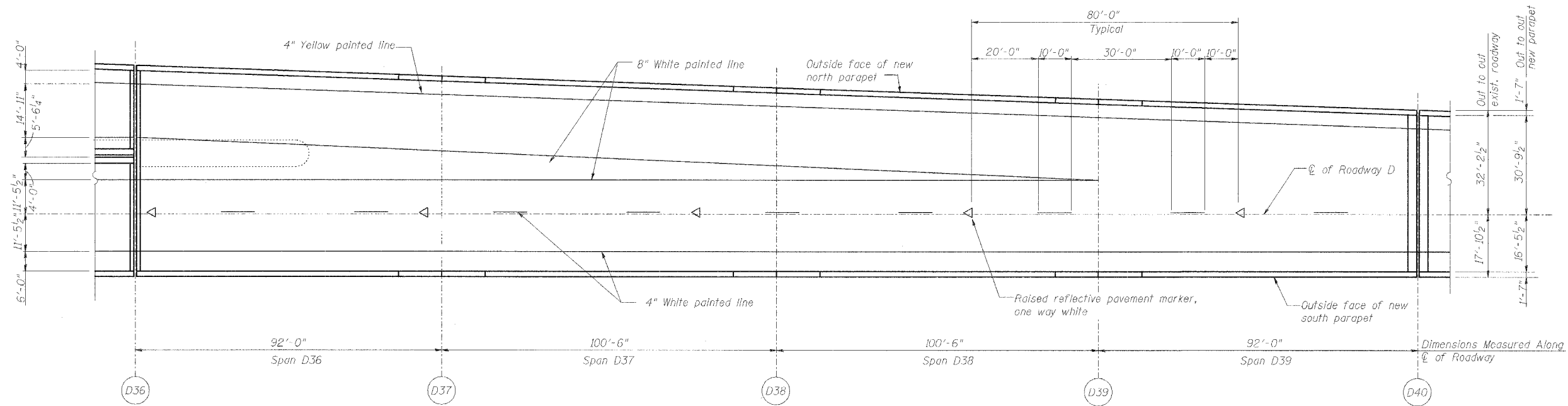
ROUTE NO.	SECTION	COUNTY	TOTAL SHEETS	SHEET NO.
F.A.I. 70	*	ST. CLAIR	111	18
FED. ROAD DIST. NO. 7		ILLINOIS	FED. AID PROJECT - 1M-70	

\* 82-3HVB-3R-3  
CONTRACT NO. 76305



DECK PLAN OF SPANS D33 - D35

Note:  
Taper striping pattern as necessary to match existing pattern beyond Pier D33



DECK PLAN OF SPANS D36 - D39

STRIPING SPANS D33 - D39

REVISIONS	
NAME	DATE

STATE OF ILLINOIS  
DEPARTMENT OF TRANSPORTATION  
REHABILITATION AND RETROFIT REPAIRS  
FAI ROUTE 70  
POPLAR STREET BRIDGE APPROACHES  
ST. CLAIR COUNTY

STRUCTURE NO. 082-0144 (ROADWAY D)  
SCALE: N.T.S.  
DATE: 02/28/2006

DATE: 4/8/2006  
FILENAME: P:\2001\1201-1300\2001.1240\drafting\roadwayrehab\_dsl\rapand\striping\_d\_033899.dgn

DESIGNED	JEL
CHECKED	JPD
DRAWN	CLK
CHECKED	JEL