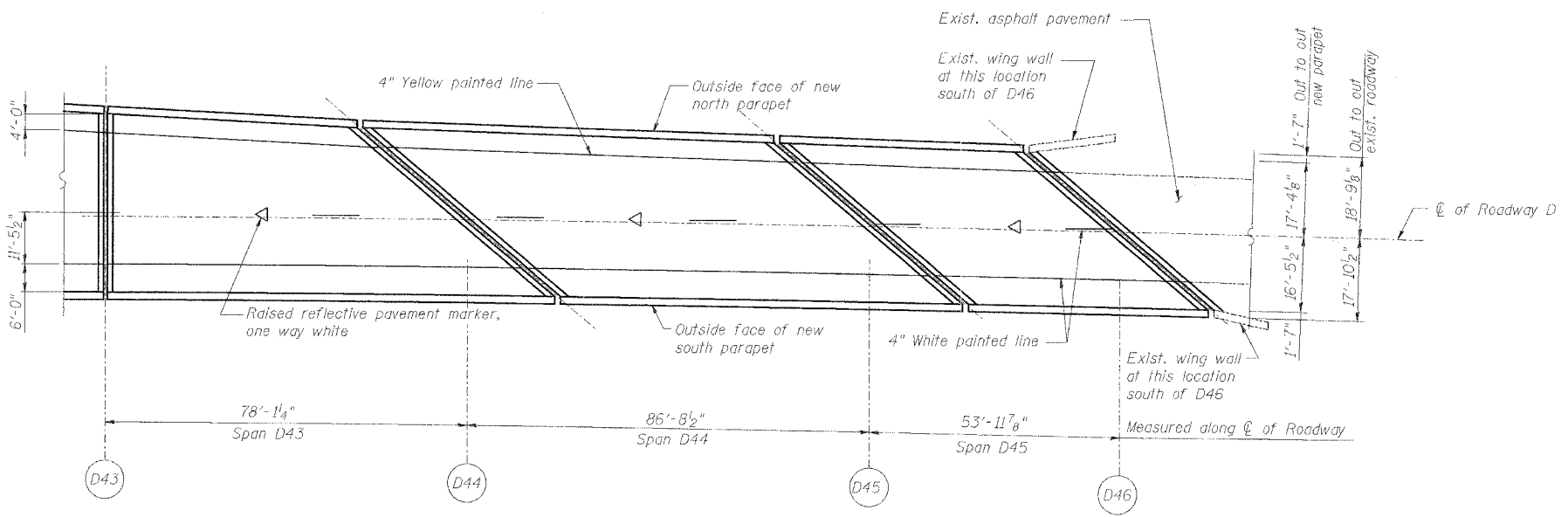
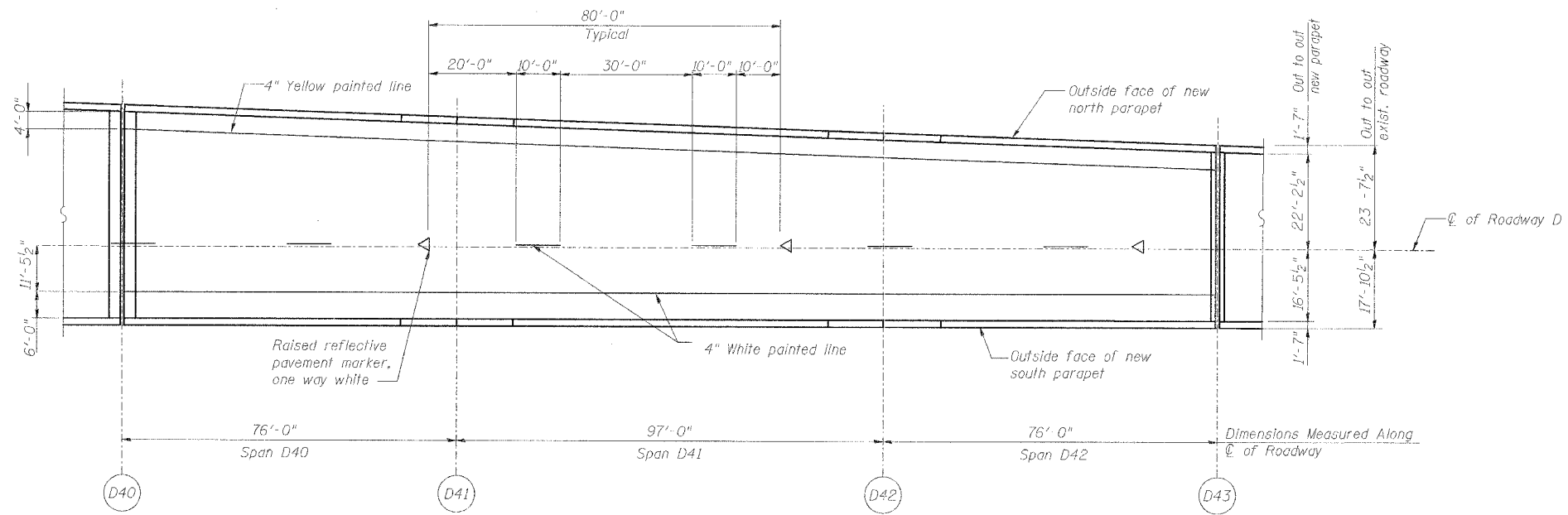


ROUTE NO.	SECTION	COUNTY	TOTAL SHEETS	SHEET NO.
F.A.I. 70	*	ST. CLAIR	111	19
FED. ROAD DIST. NO. 7	ILLINOIS	FED. AID PROJECT - 14-70		

\* 82-3HVB-3R-3  
CONTRACT NO. 76305



DECK PLAN OF SPANS D43 - D45

Note:  
Taper striping pattern as necessary to match existing pattern beyond abutment at D46

DATE: 4/28/2006  
FILENAME: P:\2001\1201-1900\2001.1240\drafting\roadwayrehab\_ds\raprd\_stripe\dst4046.dgn

DESIGNED	JEL
CHECKED	JPD
DRAWN	CLK
CHECKED	JEL

REVISIONS	
NAME	DATE

STRIPING SPANS D40 - D45

STATE OF ILLINOIS  
DEPARTMENT OF TRANSPORTATION  
REHABILITATION AND RETROFIT REPAIRS  
FAI ROUTE TO  
POPULAR STREET BRIDGE APPROACHES  
ST. CLAIR COUNTY

STRUCTURE NO. 082-0144 (ROADWAY D)  
SCALE: N.T.S.  
DATE: 02/28/2006