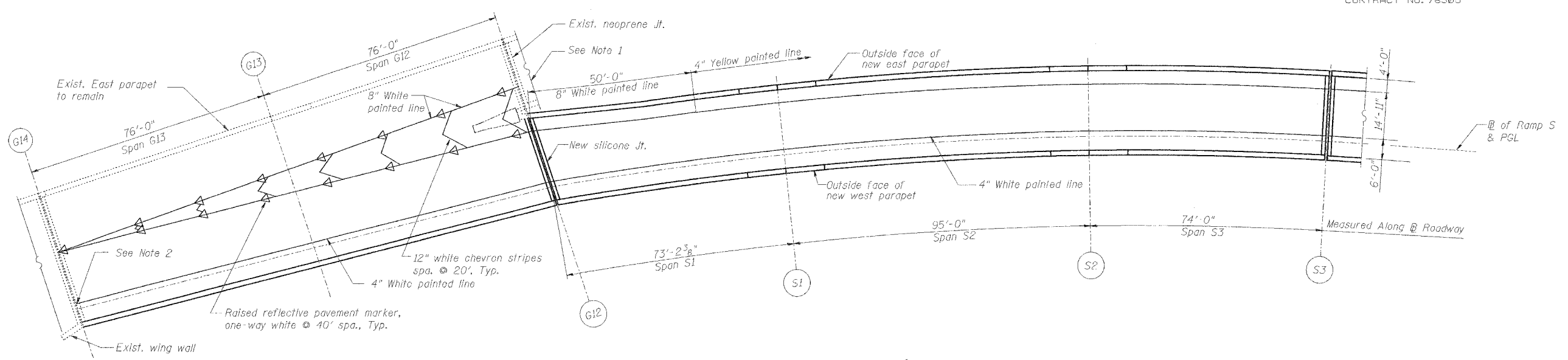


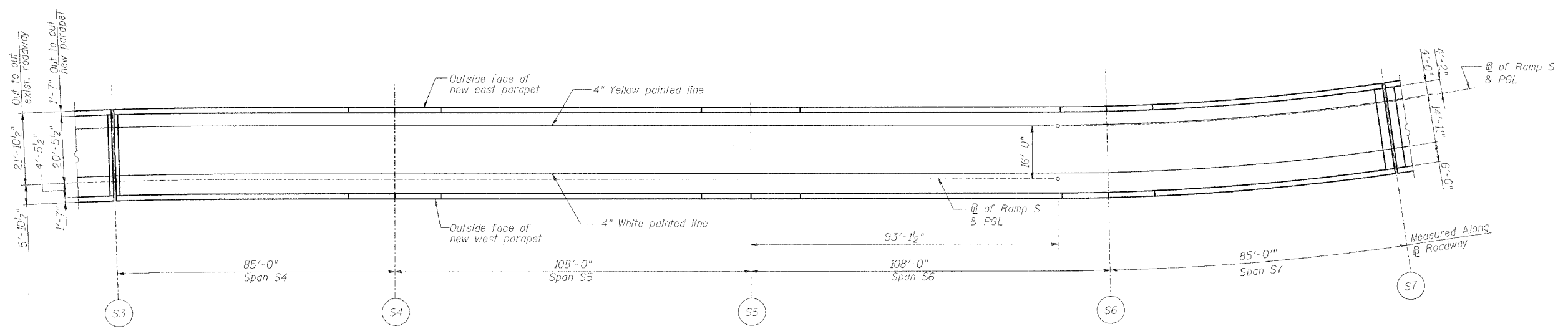
ROUTE NO.	SECTION	COUNTY	TOTAL SHEETS	SHEET NO.
F.A.I. 70	*	ST. CLAIR	111	20
FED. ROAD DIST. NO. 7	ILLINOIS	FED. AID PROJECT- 1M-70		

\* 82-3HVB-3R-3  
CONTRACT NO. 76305



**DECK PLAN OF SPANS G14 - S3**

- Notes:
1. Taper striping pattern as necessary to match existing pattern beyond Pier G12
  2. Taper striping pattern as necessary to match existing pattern beyond Pier G14



**DECK PLAN OF SPANS S4 - S7**

**STRIPING SPANS G14 - S7**

REVISIONS	
NAME	DATE

STATE OF ILLINOIS  
DEPARTMENT OF TRANSPORTATION  
REHABILITATION AND RETROFIT REPAIRS  
FAI ROUTE TO  
POPLAR STREET BRIDGE APPROACHES  
ST. CLAIR COUNTY

STRUCTURE NO.  
SCALE: N.T.S.  
DATE: 2/28/2006

DATE: 4/18/2006  
FILENAME: F:\2001\1201-1300\2001.1240\drafting\roadwayrehab\_dslramps\stripe\stf0107.dgn

DESIGNED	JEL
CHECKED	JPD
DRAWN	CLK
CHECKED	JEL