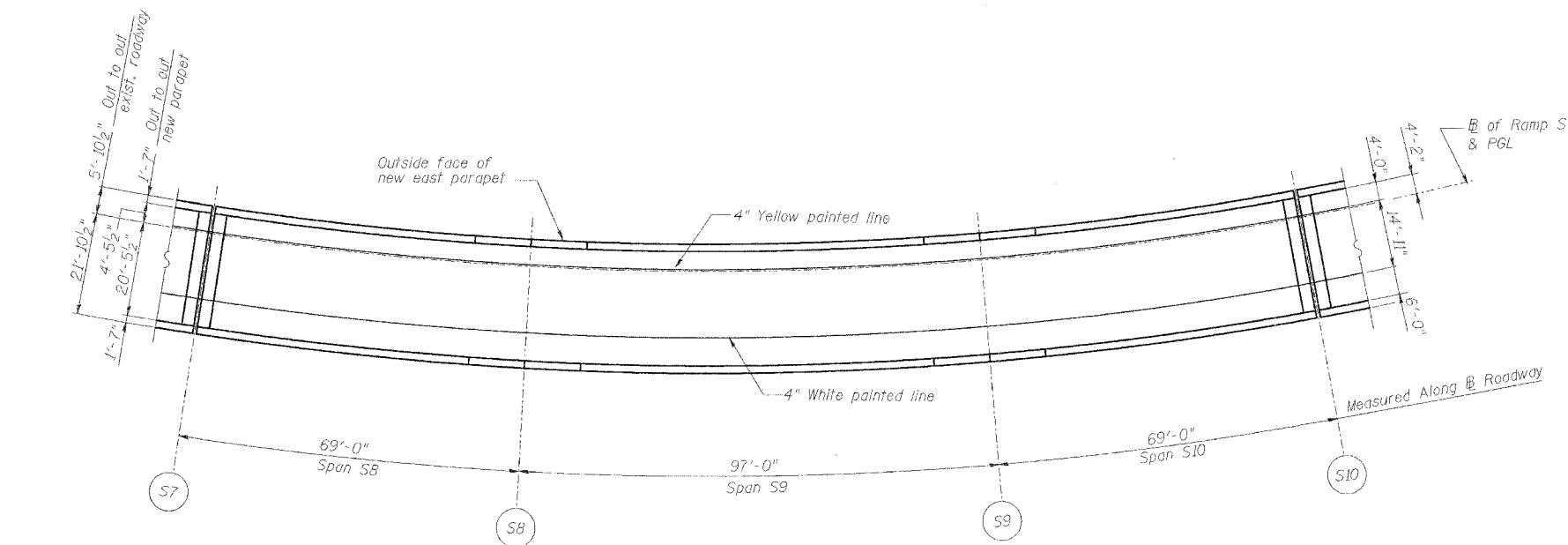
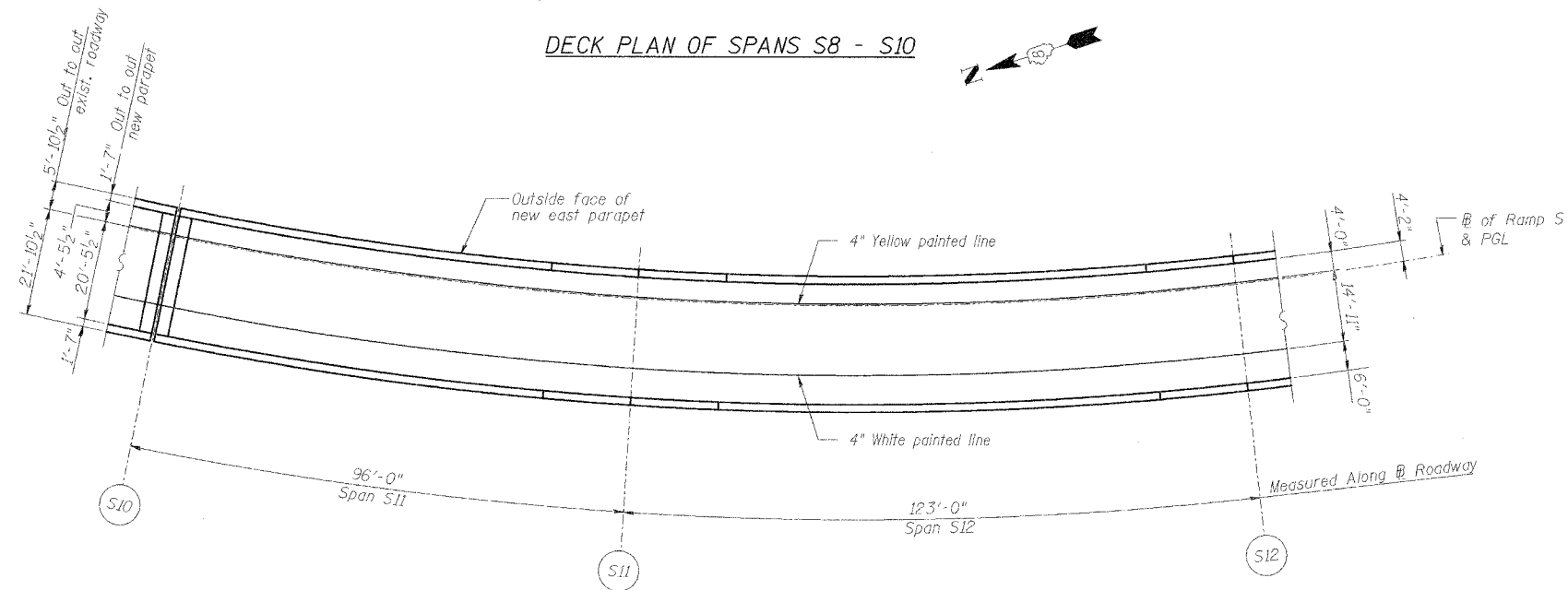


ROUTE NO.	SECTION	COUNTY	TOTAL SHEETS	SHEET NO.
F.A.I. 70	*	ST. CLAIR	111	21
FED. ROAD DIST. NO. 7	ILLINOIS	FED. AID PROJECT - IP-70		

\* 82-3HVB-3R-3  
CONTRACT NO. 76305



DECK PLAN OF SPANS S8 - S10



DECK PLAN OF SPANS S11 - S12

DATE: 4/18/2006 FILENAME: F:\2001\12001-1300\20011240\drawing\roadwayrehab\_ds\ ramps\stripes\_s\_60612.dgn

DESIGNED	JEL
CHECKED	JPD
DRAWN	CLK
CHECKED	JEL

REVISIONS	
NAME	DATE

**STRIPING SPANS S8 - S12**

STATE OF ILLINOIS  
DEPARTMENT OF TRANSPORTATION  
REHABILITATION AND RETROFIT REPAIRS  
FAI ROUTE 70  
POPLAR STREET BRIDGE APPROACHES  
ST. CLAIR COUNTY

STRUCTURE NO.  
SCALE: N.T.S.  
DATE: 2/28/2006