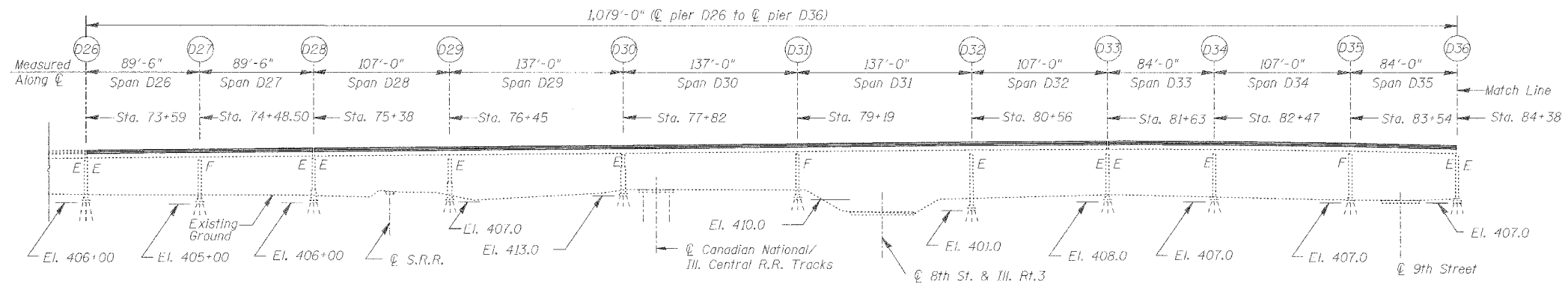
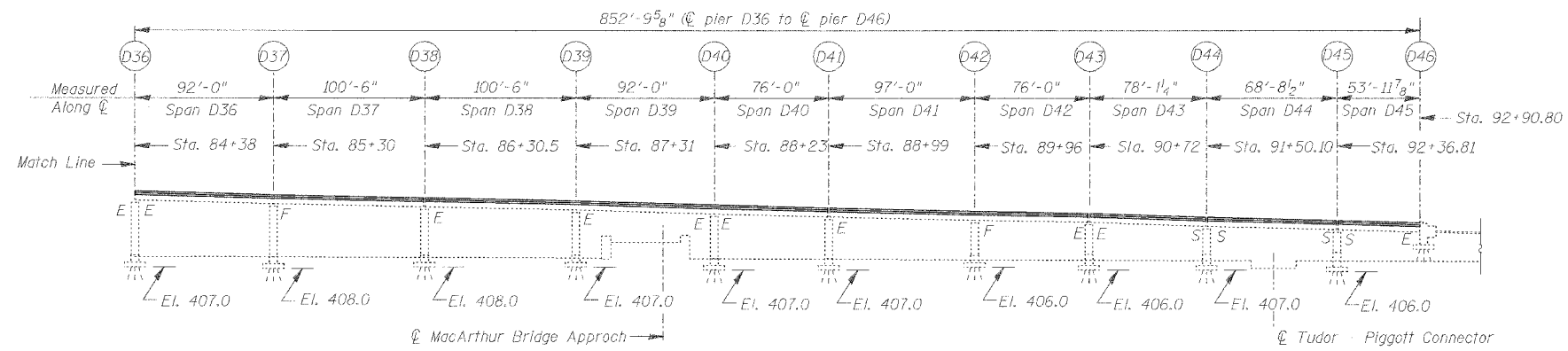


ROUTE NO.	SECTION	COUNTY	TOTAL SHEETS	SHEET NO.
F.A.I. 70	*	ST. CLAIR	111	30
FED. ROAD DIST. NO. 7		ILLINOIS	FED. AID PROJECT - 14-70	
* B2-3HVB-3R-3			SHEET S-7 OF S-44	
CONTRACT NO. 76305				



ELEVATION (Spans D26 - D35)



ELEVATION (Spans D36 - D46)

DATE: 4/19/2006 FILENAME: p:\2001\1201-1800\2001.1240\drafting\roadwayrehab_ds\rampd_d_procl.dgn

DESIGNED	JPD
CHECKED	JEL
DRAWN	CLK
CHECKED	JEL

REVISIONS	
NAME	DATE

PROJECT ELEVATION
STATE OF ILLINOIS
DEPARTMENT OF TRANSPORTATION
REHABILITATION AND RETROFIT REPAIRS
FAI ROUTE 70
POPLAR STREET BRIDGE APPROACHES
ST. CLAIR COUNTY
STRUCTURE NO. 082-0142 (RAMP S)
SCALE:
DATE: 02/28/2006