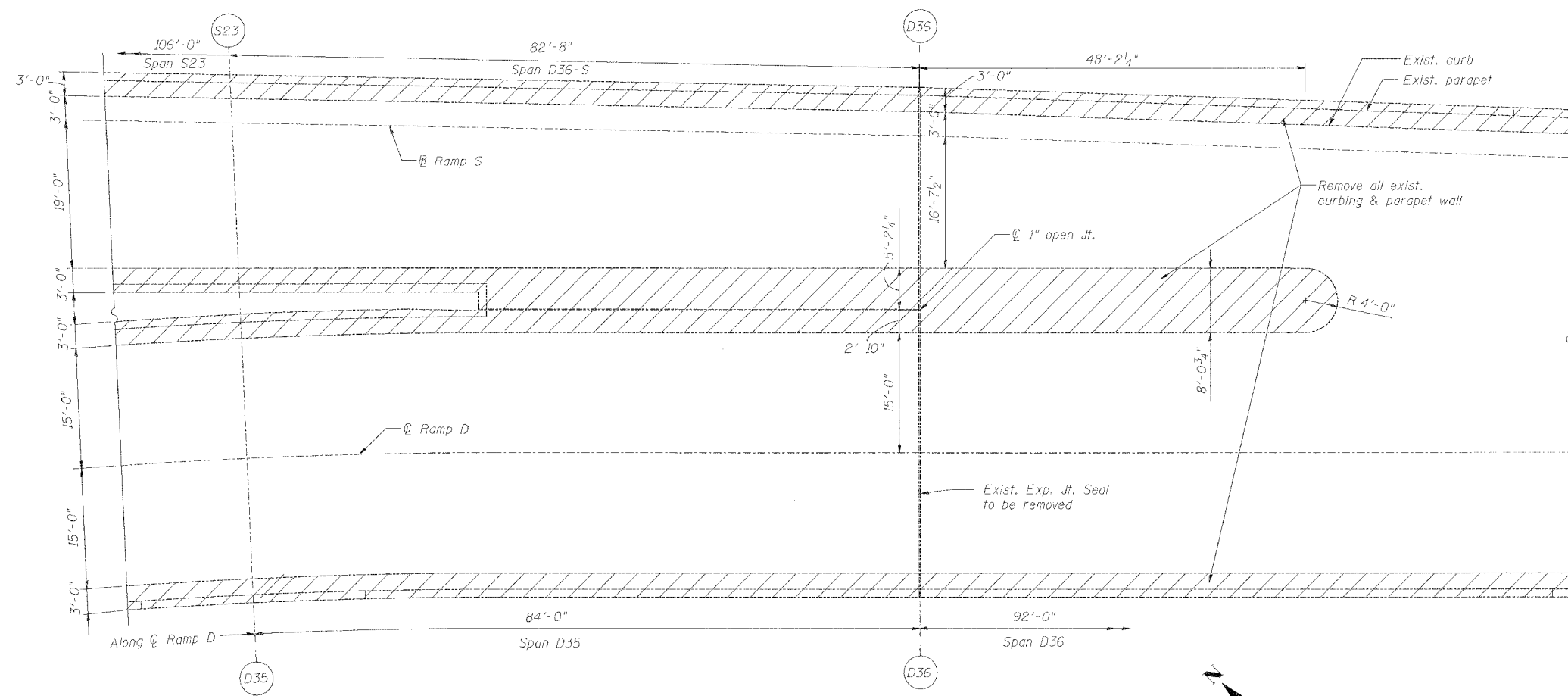


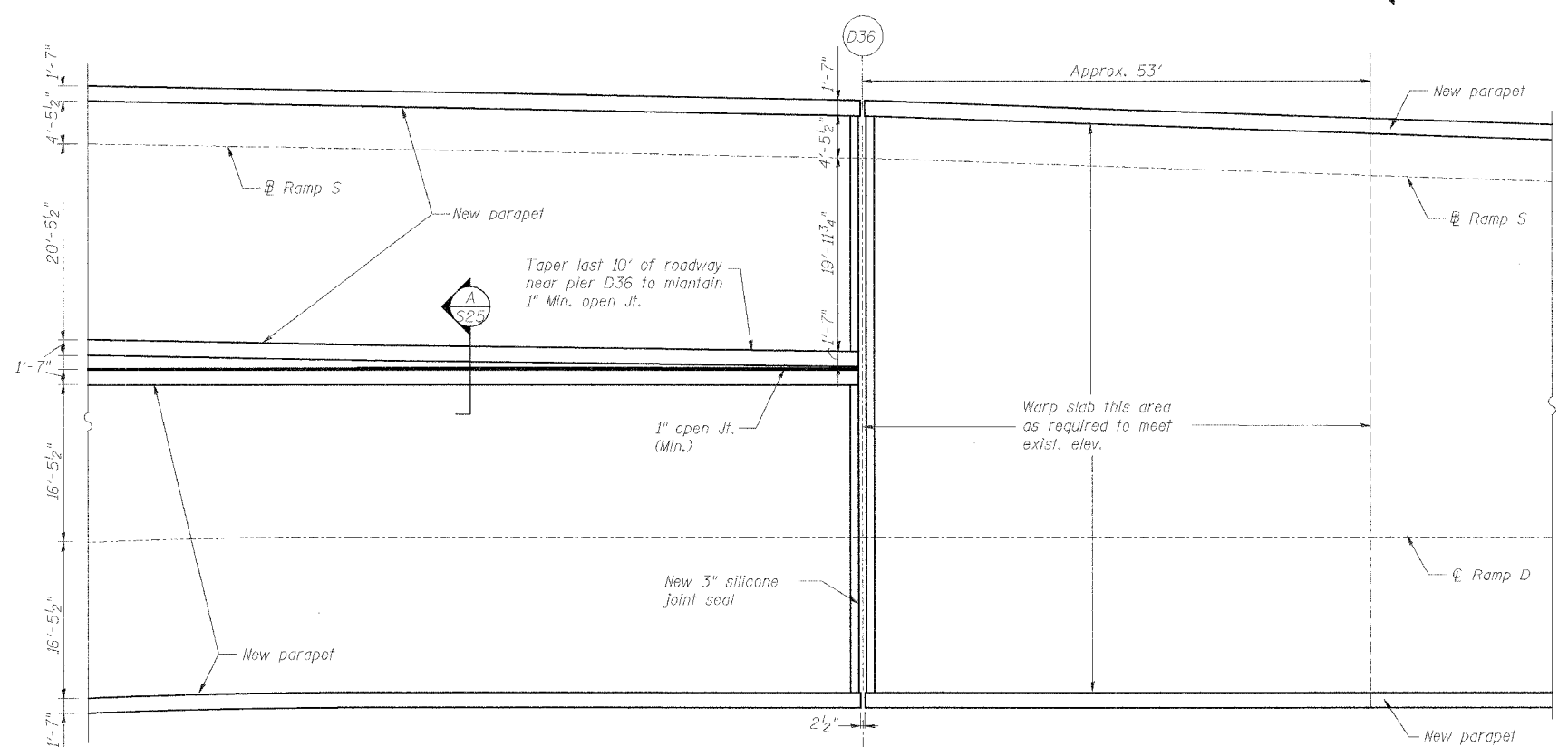
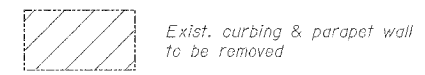
ROUTE NO.	SECTION	COUNTY	TOTAL SHEETS	SHEET NO.
F.A.I. 70	*	ST. CLAIR	111	48
FED. ROAD DIST. NO. 7	ILLINOIS	FED. AID PROJECT - 1H-70		

82-3HVB-3R-3 SHEET S-25 OF S-44
CONTRACT NO. 76305



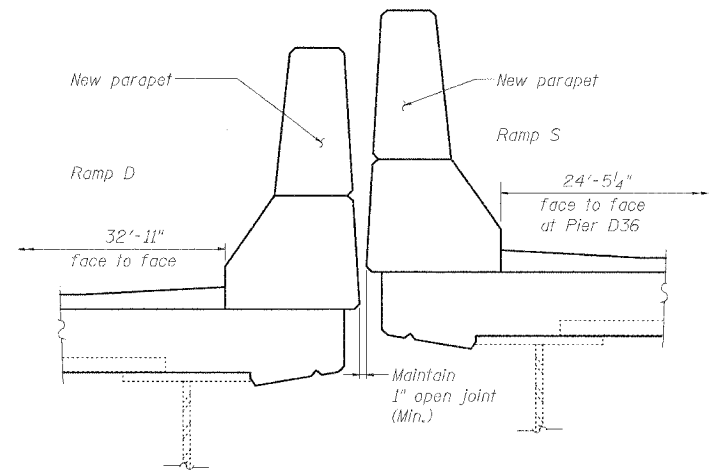
DEMOLITION PLAN AT ROADWAY D/RAMP S MERGE

LEGEND:



PLAN OF NEW PARAPET AT ROADWAY D/RAMP S MERGE

See Shts. S15 through S18 for new parapets and treatment of deck



SECTION A

SPECIAL PARAPET DETAILS

STATE OF ILLINOIS
DEPARTMENT OF TRANSPORTATION
REHABILITATION AND RETROFIT REPAIRS
FAI ROUTE TO
POPLAR STREET BRIDGE APPROACHES
ST. CLAIR COUNTY

STRUCTURE NO. 082-0142 (RAMP S)
SCALE:
DATE: 02/28/2006

REVISIONS	
NAME	DATE

Note:
Expansion joint dimensions shown are for 50°F deck temperature

DATE: 4/19/2006
FILENAME: P:\2001\1201-1300\2001.1240\drafting\roadwayrehab_ds\rapmp\para\d_parap04.dgn

DESIGNED	JPD
CHECKED	CSD
DRAWN	CLK
CHECKED	JPD