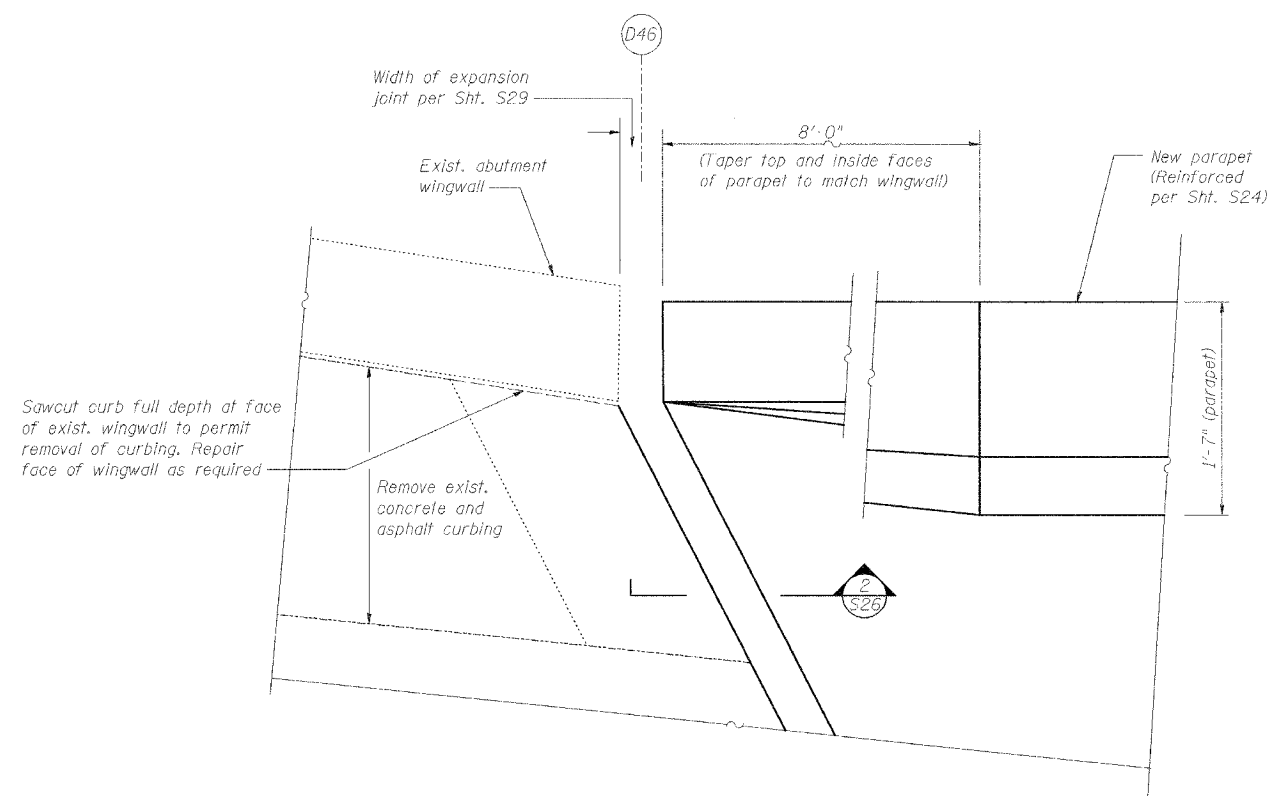
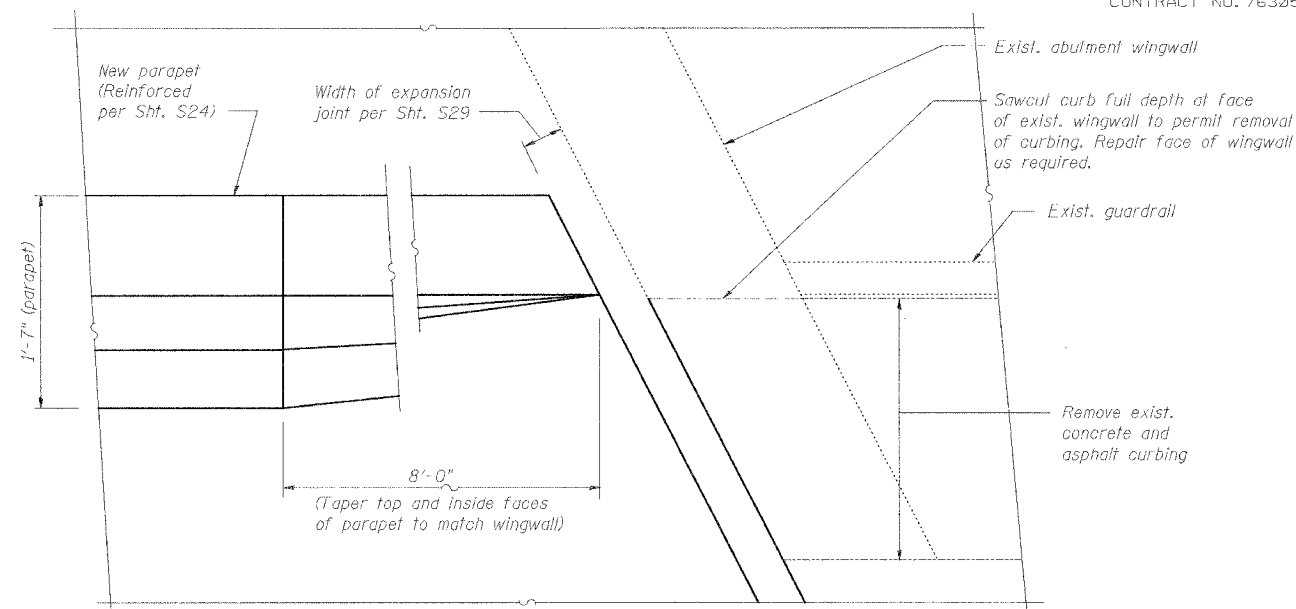


ROUTE NO.	SECTION	COUNTY	TOTAL SHEETS	SHEET NO.
F.A.I. 70	*	ST. CLAIR	111	49
FED. ROAD DIST. NO. 7	ILLINOIS	FED. AID PROJECT- IM-70		

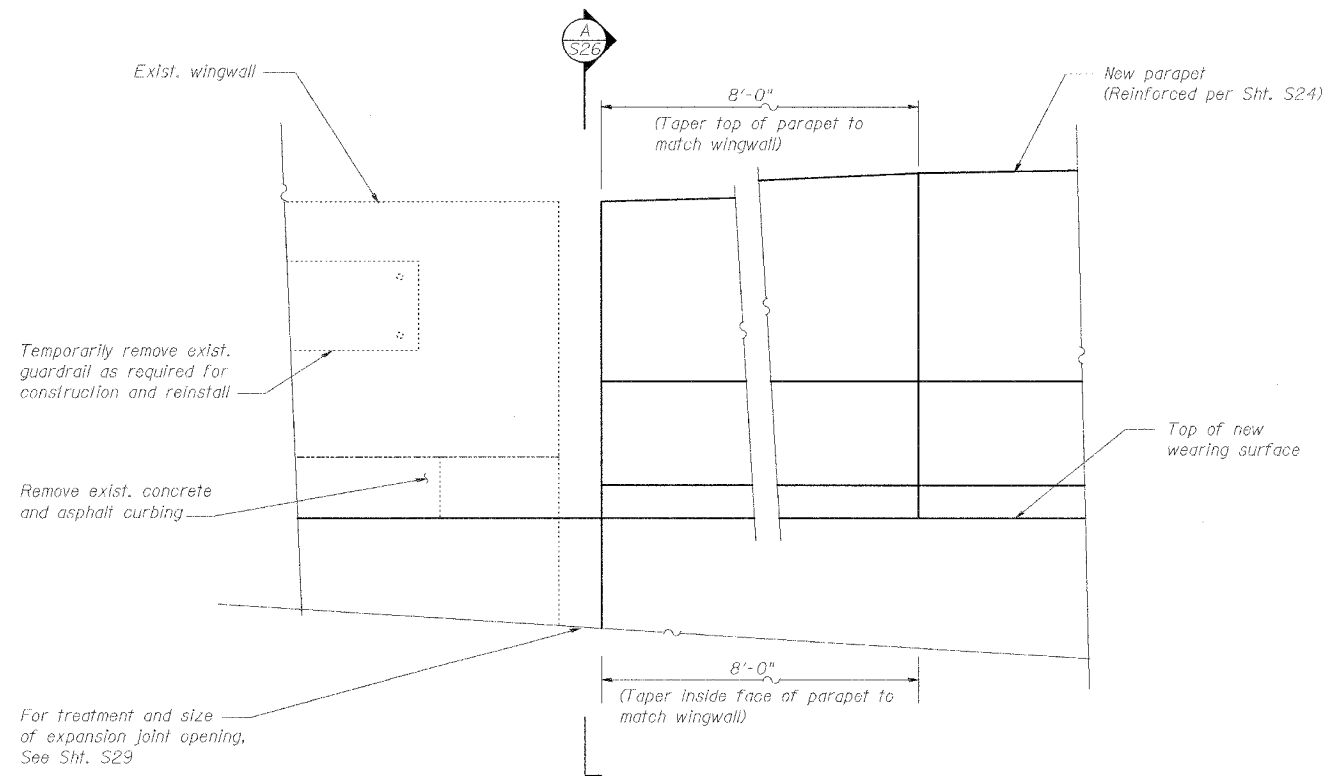
\* 82-3HVB-3R-3 SHEET S-26 OF S-44  
CONTRACT NO. 76305



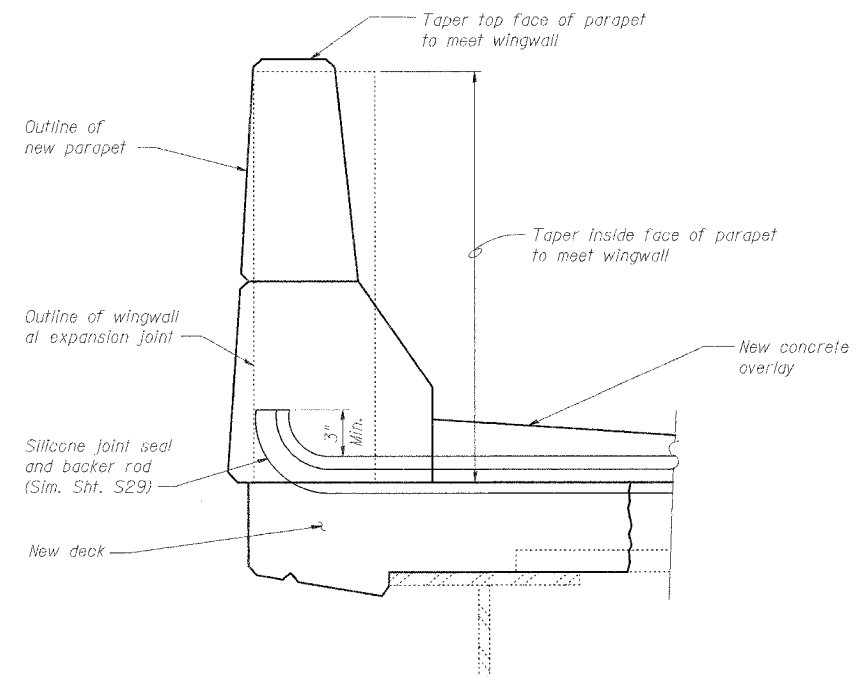
1 PLAN-SOUTH PARAPET END TREATMENT @ D46  
S26



3 PLAN-NORTH PARAPET END TREATMENT @ D46  
S26



2 ELEVATION-SOUTH PARAPET END TREATMENT @ D46  
S26 (North Parapet similar, Opp. hand)



SECTION A-PARAPET END TREATMENT @ D46

SPECIAL PARAPET TERMINATION DETAILS

REVISIONS	
NAME	DATE

STATE OF ILLINOIS  
DEPARTMENT OF TRANSPORTATION  
REHABILITATION AND RETROFIT REPAIRS  
FAI ROUTE 70  
POPLAR STREET BRIDGE APPROACHES  
ST. CLAIR COUNTY,  
STRUCTURE NO. 082-0142 (RAMP S)  
SCALE:  
DATE: 02/28/2006

DATE: 4/19/2006  
FILENAME: P:\2001\1201-1300\2001.12.40\drafting\roadwayrehab\_ds\rampd\para\p-d-para05.dgn

DESIGNED	JPD
CHECKED	CSD
DRAWN	CLK
CHECKED	JPD