

DECK REPAIR @ TYPICAL EXPANSION JOINTS

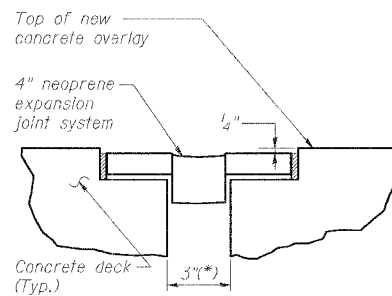
(Includes D36, D43, D44 and D45 on Ramp D)

Notes: For Joint Seal Installation, see Detail A for Pier D43, and Detail B for all others.

Remove entire exist. expansion joint seal system, including anchor bolts. Existing angles, headed studs, and surrounding concrete to remain.

BILL OF MATERIAL

Item	Unit	Quantity
Silicone Joint Sealer - 2"	Ft.	190
Silicone Joint Sealer - 3"	Ft.	64
Neoprene Expansion Joint - 4"	Ft.	45
Polymer Concrete	Cu. Ft.	37



* at 50°F. See Neoprene and Silicone Joint Schedule for required movement

DETAIL A - NEOPRENE EXPANSION JOINT

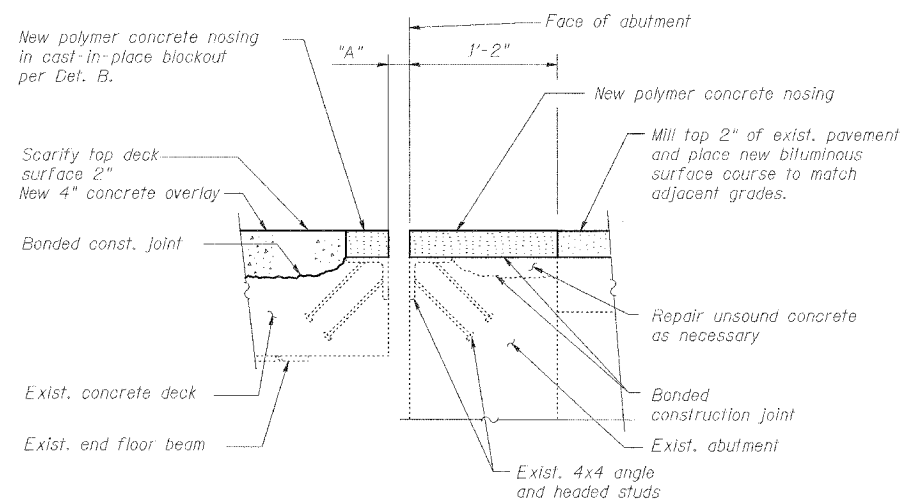
Note: See Sheet, S30 for additional installation dimensions and details

NEOPRENE AND SILICONE JOINT SCHEDULE - RAMP D

Location	Type of Joint Seal	Joint Opening - "A" (Inches)				
		@ -30°F	@ 10°F	@ 50°F	@ 90°F	@ 130°F
D36	3" Silicone	4 1/8"	3 9/16"	3"	2 7/16"	1 7/8"
D43	4" Neoprene	4 1/2"	3 3/4"	3"	2 1/4"	1 1/2"
D44*	2" Silicone	—	—	2"	—	—
D45*	2" Silicone	—	—	2"	—	—
D46	2" Silicone	2 5/8"	2 5/16"	2"	1 11/16"	1 3/8"

Note: For deck temperatures between those shown, width of joint opening can be interpolated.

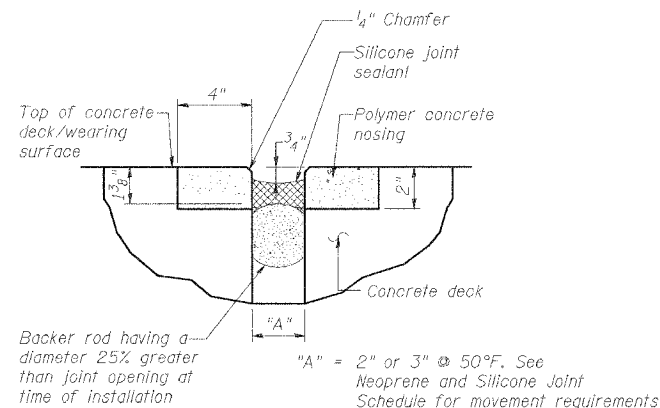
* - Joint at seismic isolation bearing (no significant movement anticipated)



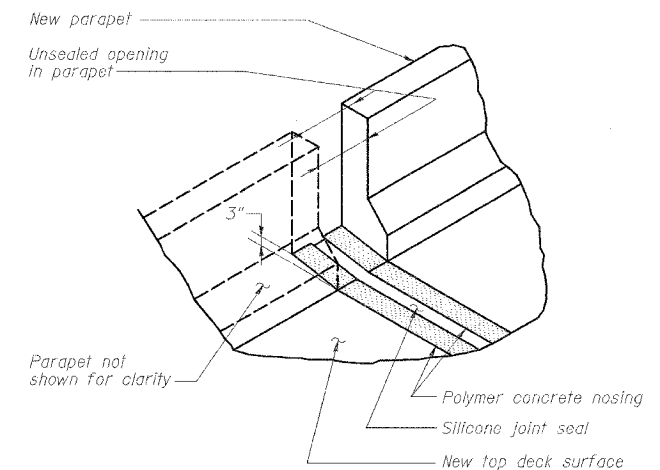
DECK REPAIR @ D46 ABUTMENT EXPANSION JOINT

Notes: See Detail B for joint installation.

Remove entire exist. expansion joint seal system, including anchor bolts. Existing angles, headed studs, and surrounding concrete to remain.



DETAIL B - SILICONE JOINT SEAL



SILICONE JOINT SEAL @ PARAPET

TYPICAL JOINT DETAILS

REVISIONS		STATE OF ILLINOIS DEPARTMENT OF TRANSPORTATION REHABILITATION AND RETROFIT REPAIRS FAI ROUTE 70 POPLAR STREET BRIDGE APPROACHES ST. CLAIR COUNTY STRUCTURE NO. 082-0142 (RAMP S) SCALE: DATE: 02/28/2006
NAME	DATE	

DATE: 4/19/2006 FILENAME: P:\2001\1201-1800\2001.1240\drafting\roadwayrehab_ds\rampd\join_d-joint01.dgn

DESIGNED	JPD
CHECKED	CSD
DRAWN	CLK
CHECKED	JPD