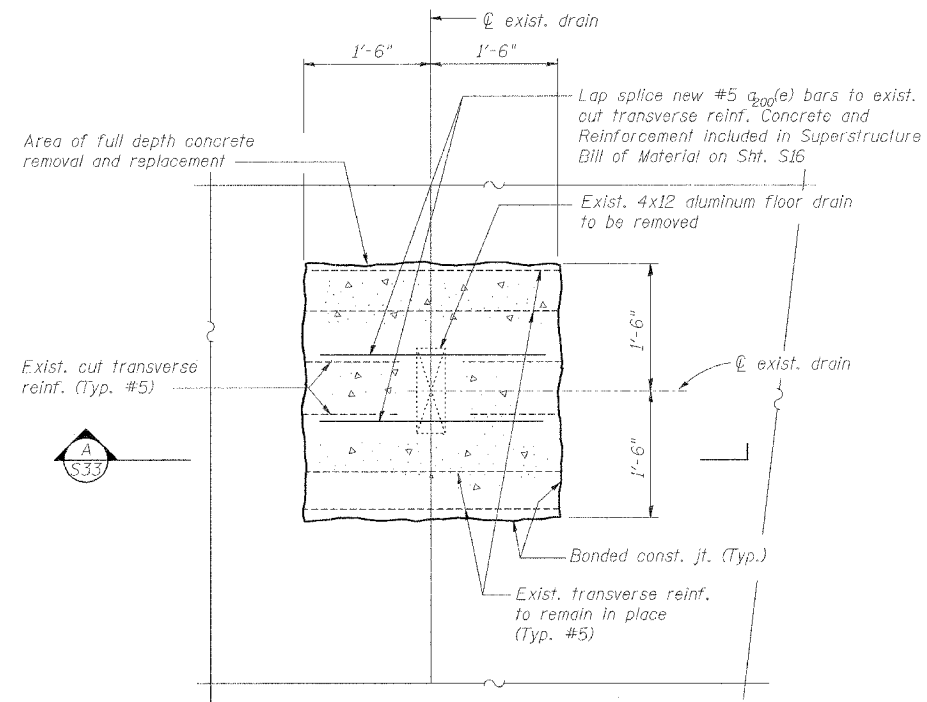
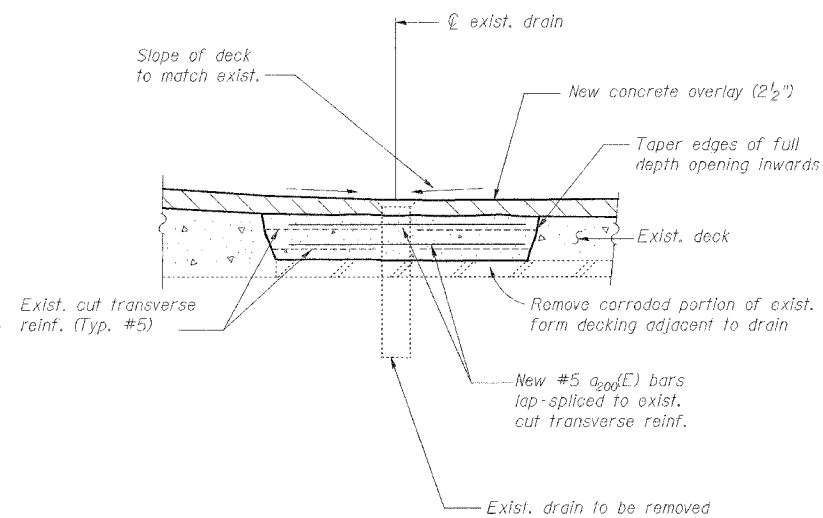


ROUTE NO.	SECTION	COUNTY	TOTAL SHEETS	SHEET NO.
F.A.I. 70	*	ST. CLAIR	111	56
FED. ROAD DIST. NO. 7	ILLINOIS	FED. AID PROJECT - IM-70		

82-3HVB-3R-3 SHEET S-33 OF S-44
CONTRACT NO. 76305



1
S33
ELIMINATION OF EXISTING DRAIN



SECTION A

DATE: 4/9/2006 FILENAME: P:\2001\1201-1800\2001.1240\drafting\roadwayrehab_de\rapnd\drai_d_drai01.dgn

DESIGNED	JPD
CHECKED	CSD
DRAWN	CLK
CHECKED	JPD

REVISIONS	
NAME	DATE

TYPICAL DRAINAGE DETAILS

STATE OF ILLINOIS
DEPARTMENT OF TRANSPORTATION
REHABILITATION AND RETROFIT REPAIRS
FAI ROUTE 70
POPLAR STREET BRIDGE APPROACHES
ST. CLAIR COUNTY

STRUCTURE NO. 082-0142 (RAMP S)

SCALE:

DATE: 02/28/2006