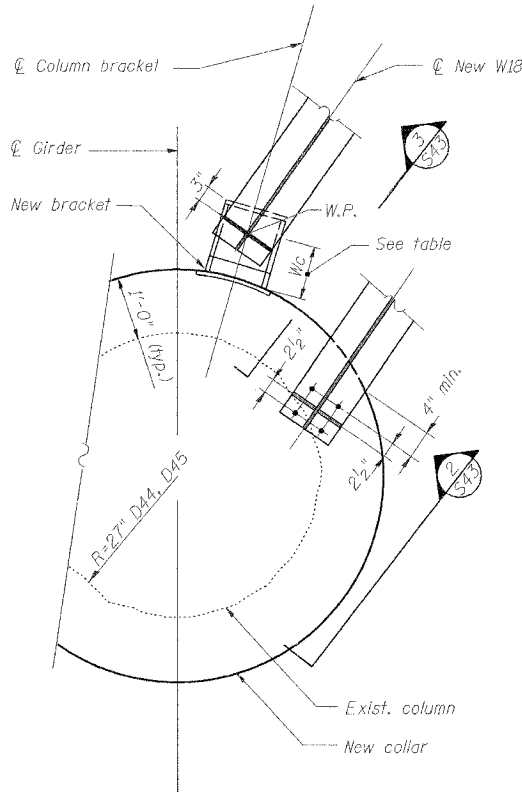
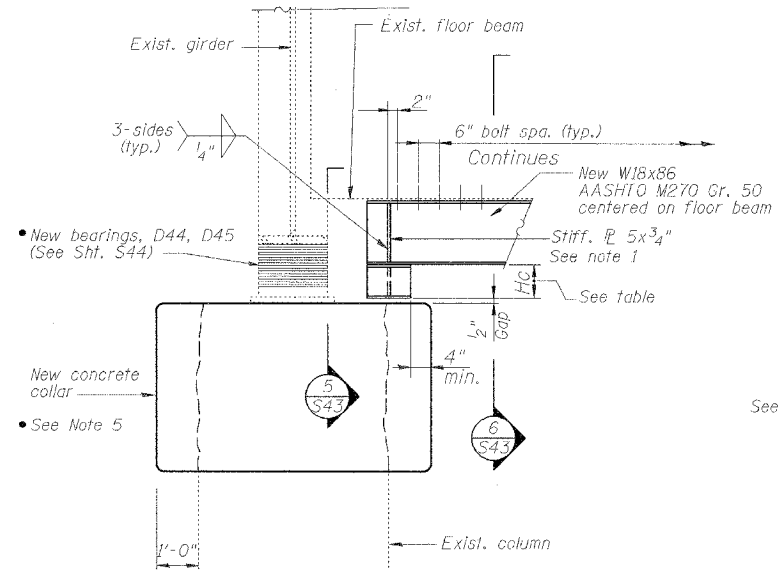


ROUTE NO.	SECTION	COUNTY	TOTAL SHEETS	SHEET NO.
F.A.I. 70	*	ST. CLAIR	111	66
FED. ROAD DIST. NO. 7	ILLINOIS	FED. AID PROJECT - IM-70		

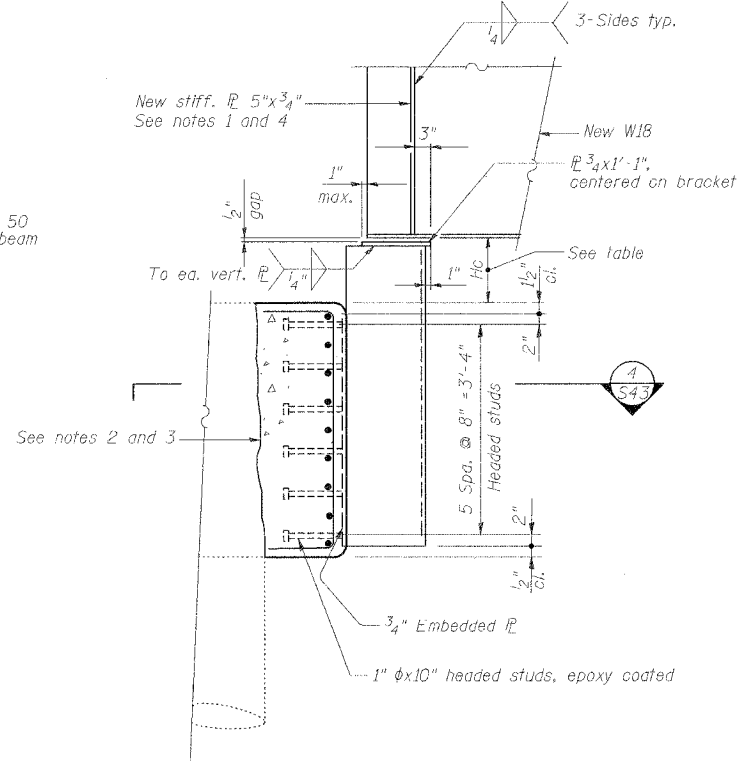
\* 82-3HV8-3R-3 SHEET S-43 OF S-44  
CONTRACT NO. 76305



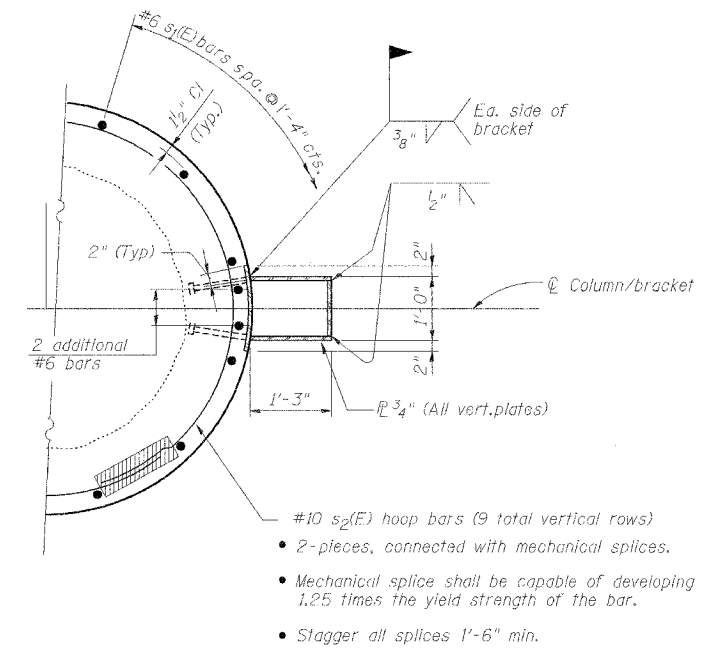
1 SECTION  
S43



2 ELEVATION  
S43

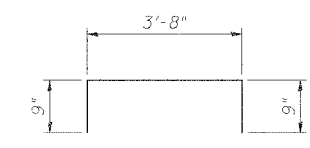


3 SECTION  
S43

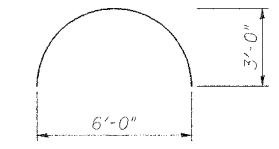


4 SECTION  
S43 Reinforcing bars designated (E) shall be epoxy coated

Note:  
Exist. girder and floor beam not shown for clarity.



Bar s1(E)



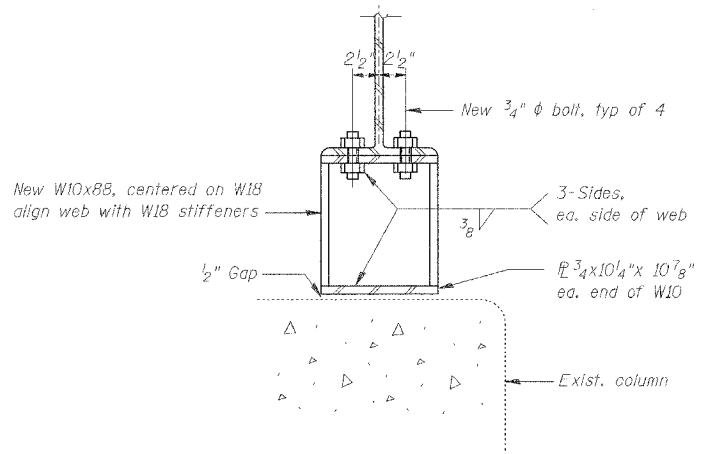
Bar s2(E)

APPROXIMATE CLEARANCES (Hc, Wc)

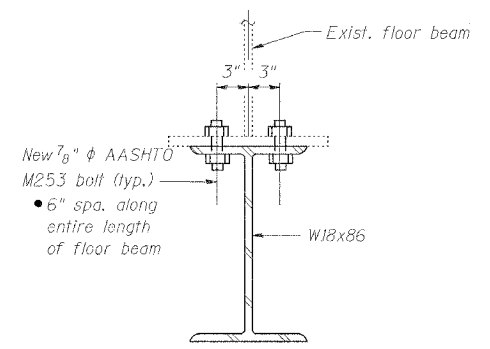
Pier	Floor Beam	Hc (in.)	Wc (in.)
D44	West	11	4
D44	East	6	5
D45	West	10	6
D45	East	15	10

Notes:  
• Wc applicable only at bracket locations  
• Hc applies at both ends of floor beam

- Notes:
1. Full height stiffener; each side of web; cope 3/4" max to clear beam fillets.
  2. Roughen existing column surface to 1/4" min. amplitude prior to placing collar.
  3. Remove any deteriorated concrete at location of new column collar.
  4. Align with end most stiffener on floor beam above.
  5. Remove existing column wraps at area of new collar.



5 SECTION  
S43



6 SECTION  
S43

DATE: 4/22/2006 FILENAME: P:\2001\1201-1300\20011240\drafting\roadwayrehab\_de\rampd\isof\d-redun05.dgn

DESIGNED	HH
CHECKED	JEL
DRAWN	CLK
CHECKED	JEL

REVISIONS	
NAME	DATE

**REDUNDANCY RETROFIT**  
STATE OF ILLINOIS  
DEPARTMENT OF TRANSPORTATION  
REHABILITATION AND RETROFIT REPAIRS  
FAI ROUTE 70  
POPLAR STREET BRIDGE APPROACHES  
ST. CLAIR COUNTY  
STRUCTURE NO. 082-0144 (ROADWAY D)  
SCALE: N.T.S.  
DATE: 02/28/2006