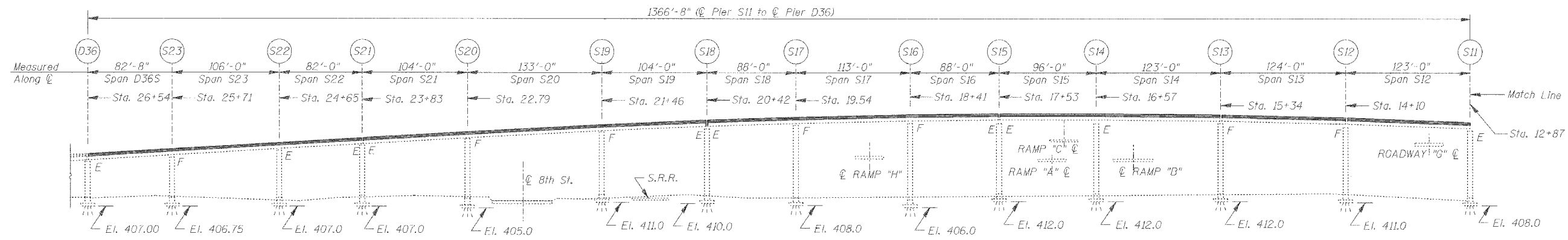
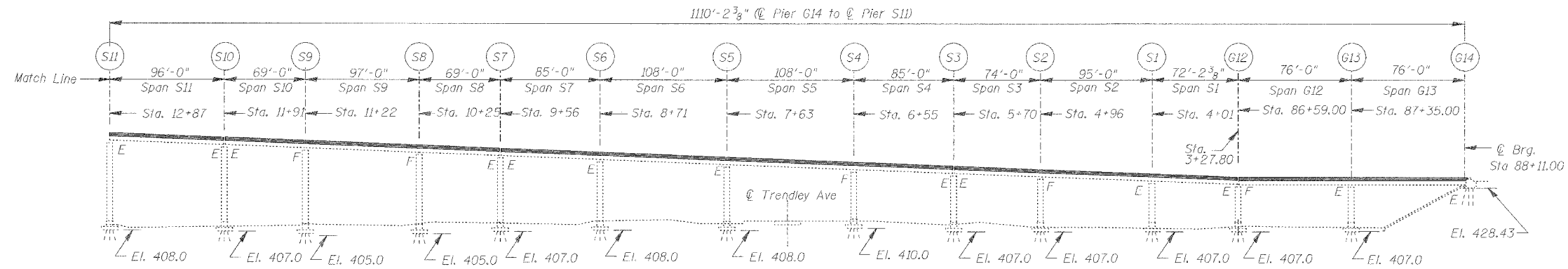


ROUTE NO.	SECTION	COUNTY	TOTAL SHEETS	SHEET NO.
F.A.I. 70	*	ST. CLAIR	111	74
FED. ROAD DIST. NO. 7	ILLINOIS	FED. AID PROJECT - 14-70		
* 82-3HVB-3R-3			SHEET S-7 OF S-44	
CONTRACT NO. 76305				



ELEVATION (Spans S12 - D36S)



ELEVATION (Spans G13 - S11)

DATE: 4/19/2006 FILENAME: P:\2001\1201-1300\2001.1240\drafting\roadwayrehab_ds\rams\is_prol.dgn

DESIGNED	JPD
CHECKED	JEL
DRAWN	CLK
CHECKED	JEL

REVISIONS	
NAME	DATE

PROJECT ELEVATION
 STATE OF ILLINOIS
 DEPARTMENT OF TRANSPORTATION
 REHABILITATION AND RETROFIT REPAIRS
 FAI ROUTE 70
 POPLAR STREET BRIDGE APPROACHES
 ST. CLAIR COUNTY
 STRUCTURE NO. 082-0142 (RAMP S)
 SCALE:
 DATE: 02/28/2006